

# Mitsubishi Lossnay for Business Use

## Model

# LGH-40ES-E

## Operating Instructions

(For User)





Please read this manual carefully before use for proper and safe use.

**Do not attempt to install by yourself.**



## Safety Precautions

- The following signs indicate that death or serious injury may be caused if there is a failure to heed the precautions described below.

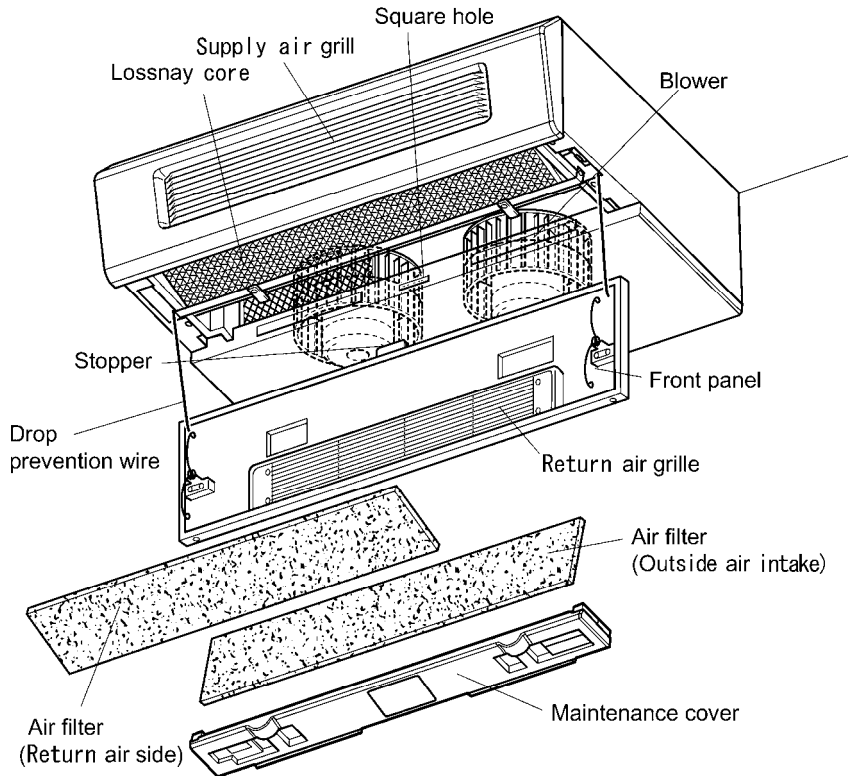
### **WARNING**

 Prohibited	<p><b>Do not turn the control switch on or off when flammable gas has leaked.</b> (It could catch fire or cause explosion with sparks released from electric contactor.)</p> <p><b>Open windows to ventilate.</b></p> <p><b>Do not poke inside of grille with fingers or other objects.</b> (There is risk of fire or electric shock.)</p>
 Do not disassemble	<p><b>Do not modify or disassemble.</b> (It could cause fire, electric shock or injury.)</p>
 Do not wet	<p><b>Do not apply water to the unit.</b> (Electrical shock can result.)</p>
 The instructions given must be followed.	<p><b>Use the specified power supply and voltage.</b> (Use of incorrect power supply could cause fire or electric shock.)</p> <p><b>Make sure the circuit breaker is turned off on the power distribution panel, before starting maintenance.</b> (It could cause electric shock or injury if it is turned on.)</p> <p><b>When any abnormal conditions (burning smell, or others) are observed, stop operation, turn off the circuit breaker on the power distribution panel and consult your dealer.</b> (Continuing operation under such conditions could cause trouble, electric shock, fire, or others.)</p>

### **CAUTION**

 Prohibited	<p><b>Do not place a combustion equipment at a place where exposed directly to the wind from Lossnay.</b> (It could cause accident as a result of incomplete combustion.)</p> <p><b>Do not place an object or sit on the main unit.</b> (It could cause trouble, electric shock, fire, or others.)</p> <p><b>Do not use at a place where exposed to high temperatures (40°C or higher), naked flames, or in environment with heavy fumes.</b> (It could cause fire.)</p> <p><b>Do not use at a place like machine or chemical factory, where hazardous gas such as acid, alkaline gas, fumes of organic solvent, paint or others, or gas containing corrosive components generates.</b> (It could malfunction.)</p>
 The instructions given must be followed.	<p><b>Securely install parts after maintenance.</b> (It could cause injury if parts drop off.)</p> <p><b>Put on gloves during maintenance.</b> (It could cause injury.)</p> <p><b>Make sure the circuit breaker is turned off on the power distribution panel when operation is stopped for a long period of time.</b> (It could cause electric shock, earth leakage or fire as a result of deteriorated insulation.)</p> <p><b>The appliance is not to be used by children or persons with reduced physical, sensory or mental capabilities, or lack of experience and knowledge, unless they have been given supervision or instruction.</b></p> <p><b>Children should be supervised to ensure that they do not play with the appliance.</b></p>

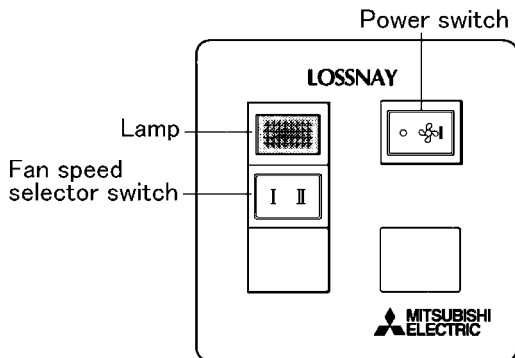
# Name and function of components



# Operating method

The unit is operated with the control switch.

Control switch (PZ-03SLP-E)



**Turn on the main power and conduct the following checks.**

When the Power switch is set to ON (☎) and the fan speed selector switch is set to HIGH(II) or LOW(I), check that the amount of air supplied to and from the Lossnay units is switched to HIGH or LOW.

- For further details, refer to the installation and operating instructions accompanying the control switch.

# Maintenance

Make clean of dirt or dust accumulated on the air filter and the Lossnay core at regular intervals to maintain the Lossnay functions for a long time.

■ Secure a stable foothold when removing or installing parts during maintenance.

## ⚠ WARNING

**Make sure the circuit breaker is turned off on the power distribution panel before starting maintenance.**

(There is the risk of electric shock or injury if the unit is in live condition.)

## ⚠ CAUTION

**Put on gloves during maintenance.**

(Otherwise, it could cause injury.)

**Install parts securely after the maintenance.**

(There is the risk of injury if parts drop off.)

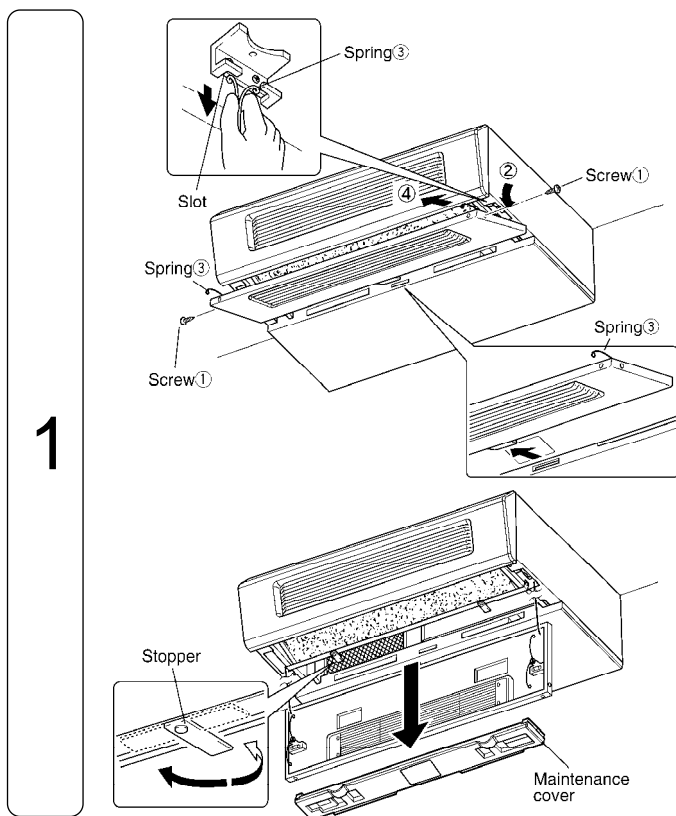
Frequency of cleaning

Air filter.....Once or more per year

Lossnay core.....Once or more per every 2-years

(Frequency should be increased depending on the extent of soiling.)

## Removal of components

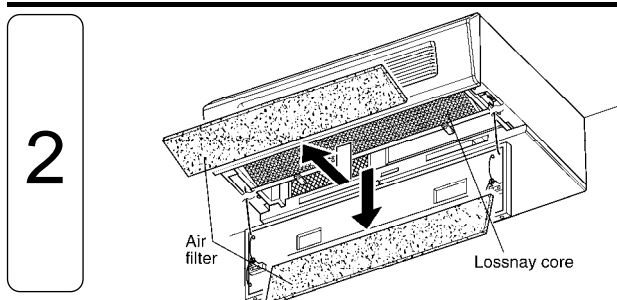


### Removing the front panel

- ① Remove the screws at each side of the front panel.
  - ② Pull down the front panel at this side.
  - ③ Push the spring inward and remove from the slot at each side.
  - ④ Draw out the front panel in the direction of the arrow.
- The panel is suspended with wires that do not drop off.

### Removing the maintenance cover

Turn the stopper 90 degrees and remove the maintenance cover.

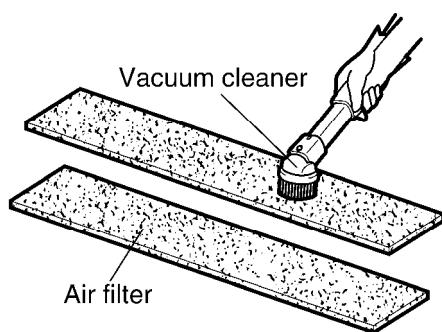


### Removing the air filters

(at outside air intake and return air sides)

- Remove air filters from the Lossnay core.

## Cleaning the air filter



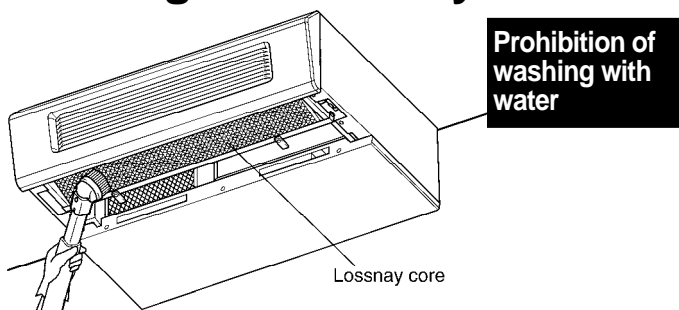
**Lightly tap with hand or use a vacuum cleaner to remove dust.**

- When they are soiled heavily, wash them by pushing down repeatedly in water or warm water (40°C or lower) containing neutral detergent. Dry them completely.

#### Request

- Never attempt to use hot water or squeeze to wash. (Air filters could be deformed and become unable to maintain the designed capacity.)
- Be sure to install the air filters.
- Care must be taken not to damage the surfaces of Lossnay core when removing or installing the air filters.

## Cleaning the Lossnay core

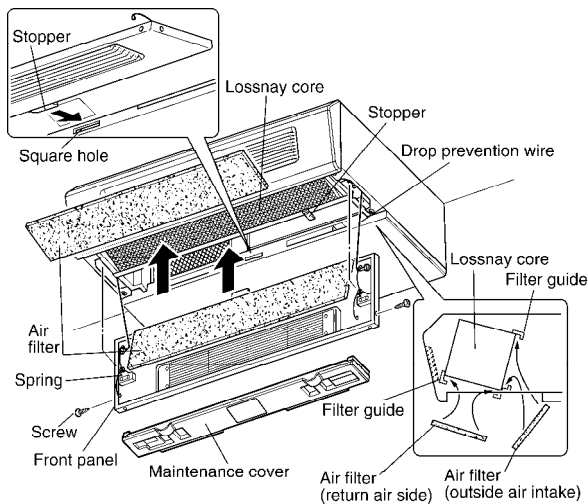


**Remove dirt or dust from the surface using a vacuum cleaner. Lightly contact the nozzle of cleaner with long brush to make clean.**

#### Request

- Do not splash the Lossnay core with water, hot water, chemicals, volatile solvent, or others.
- Refrain from pressing hard on the Lossnay core with steel wire, screw driver, hard nozzle of cleaner, or the likes.

## Installing the components

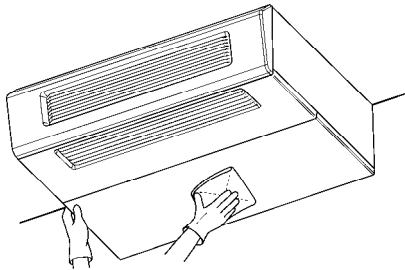


1. Securely engage the air filter in the filter guides.

### Request

- Replacement air filter is included in the system components. Use it when the filter in the unit has become old.
2. Install the maintenance cover and secure in position by turning the stopper by 90 degrees.
  3. Securely insert the stopper of front panel in the square hole.
  4. Pushing the spring inward, insert it in the slot and install the front panel in position.
  5. Tighten the screws at each side of front panel.

## Cleaning the exterior



**Wet a rag with warm water containing neutral detergent. Tightly squeeze it and wipe the surface cleanly. Wipe again with dry rags to remove completely the neutral detergent.**

### Request

- Do not use the following solvents, or others, during maintenance. These could deteriorate materials or peel off the paint. (Paint thinner, alcohol, benzene, gasoline, kerosene, spray, alkaline detergent, chemicals of chemical rag or detergent containing abrasive like cleanser.)

## When “Malfunction” is suspected

Phenomenon	Cause	Remedy
Failure of ventilation	• Power supply is not turned on.	• Turn on the power supply.
	• Air filter or Lossnay core is clogged.	• Make clean in accordance with the “Maintenance”.

When the trouble persists even after taking action as above, consult your dealer.

## After sales servicing

Contact your dealer or nearby “Mitsubishi repair service or consultation desk”.

**When any abnormal condition is observed such as abnormal noise or no air comes out, turn off the power supply and contact your dealer. Also consult them for charges or others related to the inspection or repair.**

## Specifications

Model	Voltage (V)	Line frequency (Hz)	Fan speed	Power Consumption (W)	Air volume		Temperature Exchange Efficiency (%)	Enthalpy Exchange Efficiency (%)		Noise (dB(A))	Weight (kg)
					(m <sup>3</sup> /h)	(L/S)		Heating	Cooling		
LGH-40ES-E	1Phase 220~240	50	High	132-146	400	111	60	45	40	41-43	25
			Low	82-95	250	69	66	54	48	32-34	

※The value of noise has been measured at an anechoic chamber and it could vary depending on the structure or materials of room or members used to mount the main unit.