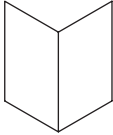
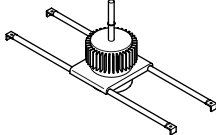
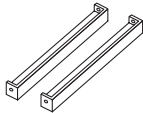
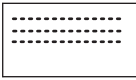


PAC-KBU04MT-F High Static Pressure Motor Instruction Manual

(This motor is for 30Pa and 60 Pa external static pressure)

1 The following parts are contained in this box.

Check that the packet includes the following parts in addition to this mounting instruction.

① Instruction	② Motor	③ Reinforcing plates	④ Label
			
1	1	2	1

Caution

For outdoor units with pillars on the inside of the side panels, remove the plates attached with tape to both ends of the reinforcing plates, and fit the reinforcing plates.
For other outdoor units, fit the reinforcing plates without removing the plates.

2 Perform the work in accordance with the following.

- ① Remove the screw1, and remove the fan guard. (Fig.1)
- ② Remove the screw2, and remove the panel 1. (Fig.1)
- ③ Remove the nut, and remove the propeller fan. (Fig.2)
- ④ Remove the connector of motor. (Fig.3)
- ⑤ Remove the screw3 of motor, and exchange the motor. (Fig.4)
- ⑥ Connect the motor connectors.

Secure the connectors with a clamp below the motor base so that they will not be directly exposed to rainwater. (Fig.5)

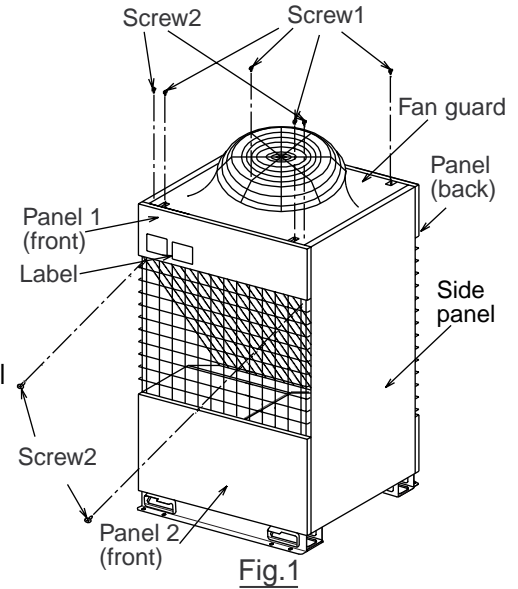
⑦ Remove the screw4 from both sides of the side panel and replace the side panel with the supplied reinforcing plates. (Fig.6) (Other than PUHN type)

⑧ Attach the propeller fan, fan guard and panel with the following steps (①-③) in reverse order (Bind a nut tight with the torque of 20 ± 2 N·m).

⑨ Put on the attached label on the unit. (Fig.1)

3 Switching setting between 30Pa and 60Pa.

- ① Remove the Panel 2. (Fig.1)
- ② Remove the control box cover.
- ③ Set the DIPSW, which is on the front board in the control box, in accordance with the figure below. (For the DIPSW location, refer to the wiring nameplate on the back of the control box cover.)



PUHY type PURY type	DIPSW3-9	DIPSW5-1
30Pa	ON	ON
60Pa	ON	OFF

PUHN type	DIPSW7-1	DIPSW7-4
30Pa	ON	ON
60Pa	ON	OFF

Caution

- The work space of a front and the back is required at the time of work.
- When carrying out intensive installation of the outdoor unit, please extend on installation interval to 20 mm or more.

