

Air-Conditioners For Building Application INDOOR UNIT

PKFY-P-VBM-E

For use with the R410A
Bei Verwendung von R410A
A utiliser avec le R410A
Bij gebruik van R410A
Para utilizar con el R410A

Usò del refrigerante R410A
Για χρήση με τα R410A
Para utilização com o R410A
R410A ile beraber kullanmak için
Для использования с моделями R410A

INSTALLATION MANUAL

For safe and correct use, please read this installation manual thoroughly before installing the air-conditioner unit.

FOR INSTALLER

INSTALLATIONSHANDBUCH

Zum sicheren und ordnungsgemäßen Gebrauch der Klimaanlage das Installationshandbuch gründlich durchlesen.

FÜR INSTALLATEURE

MANUEL D'INSTALLATION

Veuillez lire le manuel d'installation en entier avant d'installer ce climatiseur pour éviter tout accident et vous assurer d'une utilisation correcte.

POUR L'INSTALLATEUR

INSTALLATIEHANDLEIDING

Voor een veilig en juist gebruik moet u deze installatiehandleiding grondig doorlezen voordat u de airconditioner installeert.

VOOR DE INSTALLATEUR

MANUAL DE INSTALACIÓN

Para un uso seguro y correcto, lea detalladamente este manual de instalación antes de montar la unidad de aire acondicionado.

PARA EL INSTALADOR

MANUALE DI INSTALLAZIONE

Per un uso sicuro e corretto, leggere attentamente questo manuale di installazione prima di installare il condizionatore d'aria.

PER L'INSTALLATORE

ΕΓΧΕΙΡΙΔΙΟ ΟΔΗΓΙΩΝ ΕΓΚΑΤΑΣΤΑΣΗΣ

Για ασφάλεια και σωστή χρήση, παρακαλείστε διαβάσετε προσεκτικά αυτό το εγχειρίδιο εγκατάστασης πριν αρχίσετε την εγκατάσταση της μονάδας κλιματισμού.

ΓΙΑ ΑΥΤΟΝ ΠΟΥ ΚΑΝΕΙ ΤΗΝ ΕΓΚΑΤΑΣΤΑΣΗ

MANUAL DE INSTALAÇÃO

Para segurança e utilização correctas, leia atentamente este manual de instalação antes de instalar a unidade de ar condicionado.

PARA O INSTALADOR

MONTAJ ELKİTABI

Emniyetli ve doğru biçimde nasıl kullanılacağını öğrenmek için lütfen klima cihazını monte etmeden önce bu elkitabını dikkatle okuyunuz.

MONTÖR İÇİN

РУКОВОДСТВО ПО УСТАНОВКЕ

Для осторожного и правильного использования прибора необходимо тщательно ознакомиться с данным руководством по установке до выполнения установки кондиционера.

ДЛЯ УСТАНОВИТЕЛЯ

English (GB)

Deutsch (D)

Français (F)

Nederlands (NL)

Español (E)

Italiano (I)

Ελληνικά (GR)

Português (P)

Türkçe (TR)

Русский (RU)

Contents

1. Safety precautions.....	2	4. Refrigerant pipe and drain pipe.....	4
2. Installation location.....	2	5. Electrical work.....	6
3. Installing the indoor unit.....	3	6. Test run.....	7

Note:
The phrase "Wired remote controller" in this installation manual refers only to the PAR-21MAA.
If you need any information for the other remote controller, please refer to either the installation manual or initial setting manual which are included in these boxes.

1. Safety precautions

- ▶ Before installing the unit, make sure you read all the "Safety precautions".
- ▶ Please report to your supply authority or obtain their consent before connecting this equipment to the power supply system.

Warning:
Describes precautions that must be observed to prevent danger of injury or death to the user.

Caution:
Describes precautions that must be observed to prevent damage to the unit.

After installation work has been completed, explain the "Safety Precautions," use, and maintenance of the unit to the customer according to the information in the Operation Manual and perform the test run to ensure normal operation. Both the Installation Manual and Operation Manual must be given to the user for keeping. These manuals must be passed on to subsequent users.

- Warning:**
- Ask the dealer or an authorized technician to install the air conditioner.
 - Install the unit at a place that can withstand its weight.
 - If the supply cord is damaged, it must be replaced by the manufacturer, its service agent or similarly qualified persons in order to avoid a hazard.
 - The user should never attempt to repair the unit or transfer it to another location.
 - The appliance shall be installed in accordance with national wiring regulations.
 - Use only specified cables for wiring. The wiring connections must be made securely with no tension applied on the terminal connections. Also, never splice the cables for wiring (unless otherwise indicated in this document). Failure to observe these instructions may result in overheating or a fire.
 - Use only accessories authorized by Mitsubishi Electric and ask the dealer or an authorized technician to install them.
 - Do not touch the heat exchanger fins.

- Caution:**
- Do not use the existing refrigerant piping, when use R410A refrigerant.
 - Use ester oil, either oil or alkylbenzene (small amount) as the refrigerant oil to coat flares and flange connections, when use R410A refrigerant.
 - Do not use the air conditioner where food, pets, plants, precision instruments, or artwork are kept.
 - Do not use the air conditioner in special environments.
 - Ground the unit.

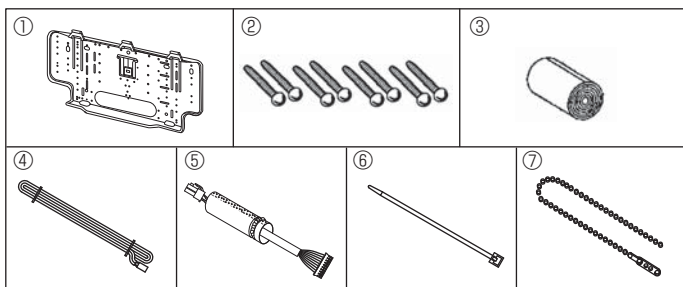
- ⊘ : Indicates an action that must be avoided.
- ⚠ : Indicates an important instructions that must be followed.
- ⚡ : Indicates a part which must be grounded.
- ⚠ : Indicates that caution should be taken with rotating parts.
- ⚠ : Indicates that the main switch must be turned off before servicing.
- ⚠ : Beware of electric shock.
- ⚠ : Beware of hot surface.
- ⚠ ELY : At servicing, please shut down the power supply for both the Indoor and Outdoor Unit.

Warning:
Carefully read the labels affixed to the main unit.

- Install the air conditioner according to this Installation Manual.
- Have all electric work done by a licensed electrician according to local regulations.
- If the air conditioner is installed in a small room, measures must be taken to prevent the refrigerant concentration from exceeding the safety limit even if the refrigerant should leak.
- The cut face punched parts may cause injury by cut, etc. The installers are requested to wear protective equipment such as gloves, etc.
- When installing or relocating, or servicing the air conditioner, use only the specified refrigerant (R410A) to charge the refrigerant lines. Do not mix it with any other refrigerant and do not allow air to remain in the lines. If air is mixed with the refrigerant, then it can be the cause of abnormal high pressure in the refrigerant line, and may result in an explosion and other hazards. The use of any refrigerant other than that specified for the system will cause mechanical failure or system malfunction or unit breakdown. In the worst case, this could lead to a serious impediment to securing product safety.

- Install an leak circuit breaker, as required.
- Use power line cables of sufficient current carrying capacity and rating.
- Use only a circuit breaker and fuse of the specified capacity.
- Do not touch the switches with wet fingers.
- Do not touch the refrigerant pipes during and immediately after operation.
- Do not operate the air conditioner with the panels and guards removed.
- Do not turn off the power immediately after stopping operation.

2. Installation location



The indoor unit comes with the following parts and accessories:

PART NUMBER	ACCESSORY	QUANTITY	LOCATION OF SETTING
①	Wall-fixing bracket	1	Fix at the back of the unit
②	Tapping screw 4 × 25	8	Set in packing material
③	Felt tape	1	
④	MA remote controller cable	1	
⑤	Cable	1	
⑥	Band	1	
⑦	Fastener	1	

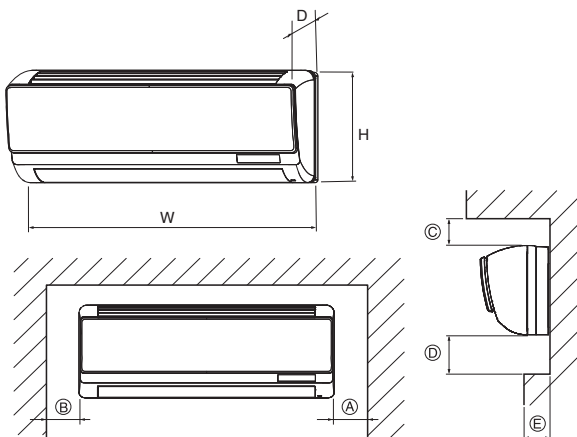


Fig. 2-1

2.1. Outline dimensions (Indoor unit) (Fig. 2-1)

Select a proper position allowing the following clearances for installation and maintenance.

Models	W	D	H	A	B	C*1	D	E
PKFY-P-VBM	815	225	295	Min. 20	Min. 22	Min. 50	Min. 100	Max. 90

*1 : 60mm or more for left and left back piping.

Warning:
Mount the indoor unit on a wall strong enough to withstand the weight of the unit.

3. Installing the indoor unit

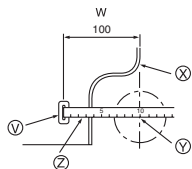
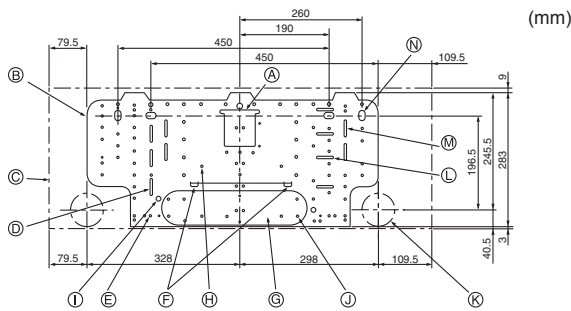


Fig. 3-1

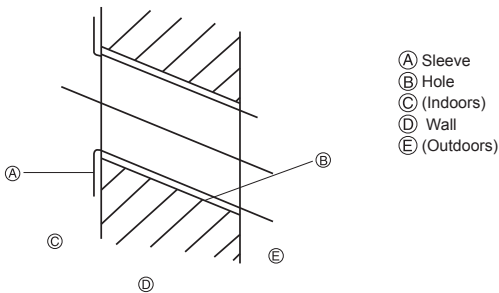


Fig. 3-2

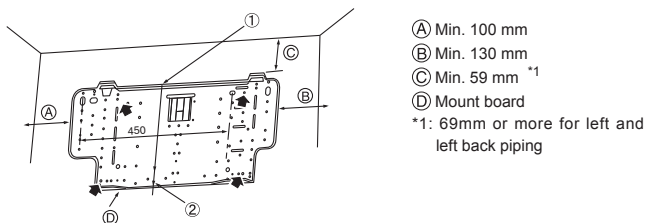


Fig. 3-3

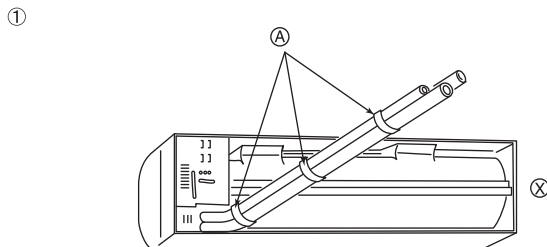


Fig. 3-4

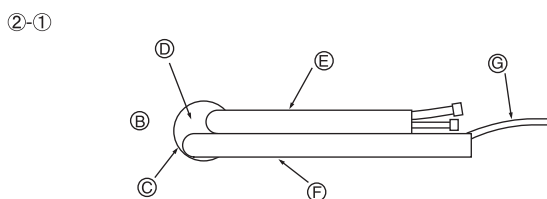


Fig. 3-5

3.1. Installing the wall mounting fixture (Fig. 3-1)

3.1.1. Setting the wall mounting fixture and piping positions

- ▶ Using the wall mounting fixture, determine the unit's installation position and the locations of the piping holes to be drilled.

⚠ Warning:

Before drilling a hole in the wall, you must consult the building contractor.

- | | |
|-----------------------------------|------------------------------------|
| (A) Supporting piece | (H) Knockout hole (12- ϕ 2.6) |
| (B) Mount board | (I) Knockout hole (4- ϕ 9) |
| (C) Main body | (J) Knockout hole (87- ϕ 5.4) |
| (D) Slot (4-4.5 × 35) | (K) Piping hole (ϕ 65) |
| (E) Knockout hole (8- ϕ 4.3) | (L) Slot (4-4.5 × 40) |
| (F) Level setting standard | (M) Slot (4-4.5 × 37) |
| (G) Knockout hole | (N) Slot (4-11 × 20) |

W: Location for wall holes

- (X) Wall mounting fixture
- (Y) Hole centre
- (Z) Align the scale with the line.
- (V) Insert scale.

3.1.2. Drilling the piping hole (Fig. 3-2)

- ▶ Use a core drill to make a hole of 90-100 mm diameter in the wall in the piping direction, at the position shown in the diagram to the left.
- ▶ The hole should incline so that the outside opening is lower than the inside opening.
- ▶ Insert a sleeve (with a 90 mm diameter and purchased locally) through the hole.

Note:

The purpose of the hole's inclination is to promote drain flow.

3.1.3. Installing the wall mounting fixture

- ▶ Since the indoor unit weighs near 10 kg, selection of the mounting location requires thorough consideration. If the wall does not seem to be strong enough, reinforce it with boards or beams before installation.
- ▶ The mounting fixture must be secured at both ends and at the centre, if possible. Never fix it at a single spot or in any unsymmetrical way. (If possible, secure the fixture at all the positions marked with a bold arrow.) (Fig. 3-3)

⚠ Warning:

If possible, secure the fixture at all positions indicated with a bold arrow.

⚠ Caution:

- The unit body must be mounted horizontally.
- Fasten at the holes marked with ▲ as shown by the arrows.

- ① Fasten a thread to the hole.
- ② The level can be easily obtained by hanging a weight from the string and aligning the string with the mark.

3.2. Preparation for piping connection

- ▶ Remove the vinyl band that holds the drain pipe.

- ① Rear, right and lower piping (Fig. 3-4)
- ▶ Bind the refrigerant pipes and drain pipe with vinyl tape at three or more points. This will facilitate passing the pipes through the wall.

- (A) Vinyl tape
- (X) This figure is viewed from the back of the unit.

- ② Left and left rear piping

- ②-① For left rear piping, pull the pipes out the hole to determine their correct length, then bend them. The indoor unit should hang on the wall mounting fixture. (Fig. 3-5)

- (B) Wall
- (C) Wall hole
- (D) Bent section
- (E) Refrigerant pipe
- (F) Drain pipe
- (G) Transmission cable

3. Installing the indoor unit

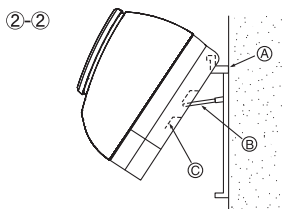


Fig. 3-6

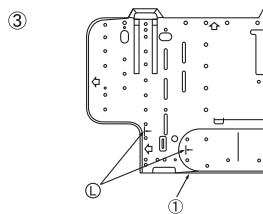


Fig. 3-7

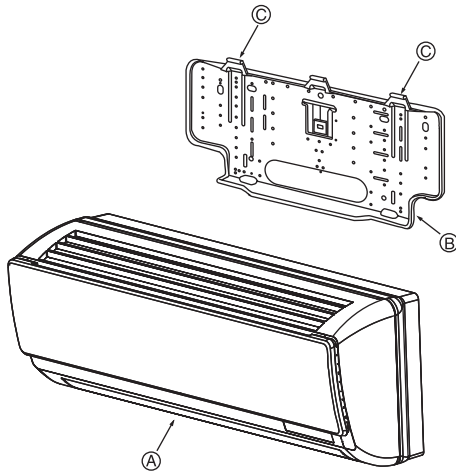


Fig. 3-8

- ②-② Lift the indoor unit by hooking the supporting piece (attached to the mount board) to the ribs on the back of the unit as shown. (Fig. 3-6)
When piping work etc. is complete, replace the supporting piece on the mount board.
(If the unit is not fixed securely, vibration may occur during operation.)

- Ⓐ Mount board
- Ⓑ Supporting piece
- Ⓒ Rib

- ③ If the flare pipe is to be embedded into the wall in advance: (Fig. 3-7)

- Determine the length of pipe to be embedded by marking on the mounting plate as a reference.

- Ⓐ Mark
- ① Wall mounting fixture

3.3. Mounting the unit (Fig. 3-8)

- ① Securely place the hanging fixtures for the indoor unit over the catches on the wall mounting fixture.

- Ⓐ Indoor unit
- Ⓑ Wall mounting fixture
- Ⓒ Catch

- ② When piping has been completed, install the indoor unit and wall mounting fixture with fixing screws.

4. Refrigerant pipe and drain pipe

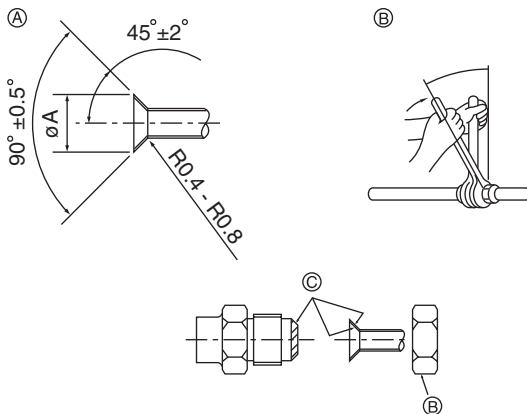


Fig. 4-1

4.1. Connecting pipes (Fig. 4-1)

- When commercially available copper pipes are used, wrap liquid and gas pipes with commercially available insulation materials (heat-resistant to 100 °C or more, thickness of 12 mm or more).
- The indoor parts of the drain pipe should be wrapped with polyethylene foam insulation materials (specific gravity of 0.03, thickness of 9 mm or more).
- Apply thin layer of refrigerant oil to pipe and joint seating surface before tightening flare nut.
- Use two wrenches to tighten piping connections.
- Use refrigerant piping insulation provided to insulate indoor unit connections. Insulate carefully.

⚠ Warning:

When installing the unit, securely connect the refrigerant pipes before starting the compressor.

Ⓐ Flare cutting dimensions

Copper pipe O.D. (mm)	Flare dimensions øA dimensions (mm)
ø6.35	8.7 - 9.1
ø12.7	16.2 - 16.6

Ⓑ Refrigerant pipe sizes & Flare nut tightening torque

	R410A				Flare nut O.D.	
	Liquid pipe		Gas pipe		Liquid pipe (mm)	Gas pipe (mm)
	Pipe size (mm)	Tightening torque (N.m)	Pipe size (mm)	Tightening torque (N.m)		
P15/P20/25	ODø6.35 (1/4")	14 - 18	ODø12.7 (1/2")	49 - 61	17	26

- Ⓒ Do not apply refrigerating machine oil to the screw portions.

(This will make the flare nuts more apt to loosen.)

- Ⓓ Be certain to use the flare nuts that are attached to the main unit.

(Use of commercially-available products may result in cracking.)

- Ⓔ Apply refrigerating machine oil over the entire flare seat surface.

4. Refrigerant pipe and drain pipe

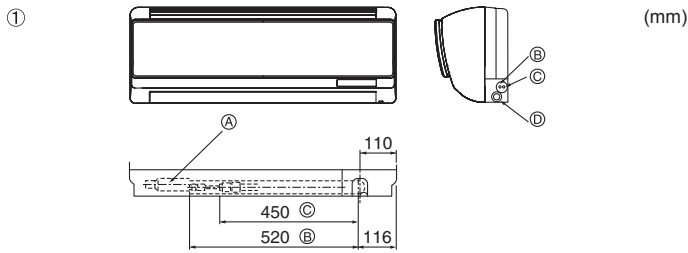


Fig. 4-2

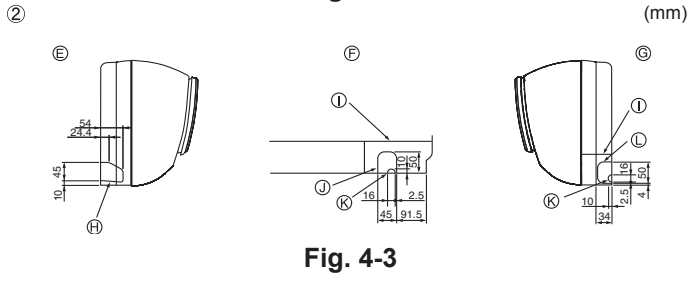


Fig. 4-3

4.2. Positioning refrigerant and drain piping

- ① Position of refrigerant and drain piping (Fig. 4-2)
 - The drain pipe can be cut midway to meet the on-site conditions.
 - (A) (Effective length: 640)
 - (B) Liquid pipe
 - (C) Gas pipe
 - (D) Drain hose

- ② Determine the position of the knockout holes on the unit body. (Fig. 4-3)

► **Cut the knockout holes using a saw blade or an adequate knife.**
Take care not to damage other parts of the unit.

- Remove the corner box and drill a knockout hole. If a hole is made without removing the box, the drain hose could be damaged.

- (E) Left-side piping
- (F) Lower piping
- (G) Right-side piping
- (H) Knockout hole for left-side piping
- (I) Corner box
- (J) Knockout hole for lower piping
- (K) Through hole for the remote controller's cable
- (L) Knockout hole for right-side piping

4.3. Drain piping (Fig. 4-4)

- Drain pipes should have an inclination of 1/100 or more.
- For extension of the drain pipe, use a soft hose (inner dia. 16 mm) available on the market or hard vinyl chloride pipe (VP-16). Make sure that there is no water leakage from the connections.
- If the drain pipe passes indoors it must be covered with insulating material (foamed polyethylene: specific gravity: 0.03, thickness: 9 mm or more) available on the market.
- Do not put the drain piping directly in a drainage ditch where sulphuric gas may be generated.
- When piping has been completed, check that water flows from the end of the drain pipe.

⚠ Caution:

The drain pipe should be installed according to this Installation Manual to ensure correct drainage. Thermal insulation of the drain pipes is necessary to prevent condensation. If the drain pipes are not properly installed and insulated, condensation may drip on the ceiling, floor or other possessions.

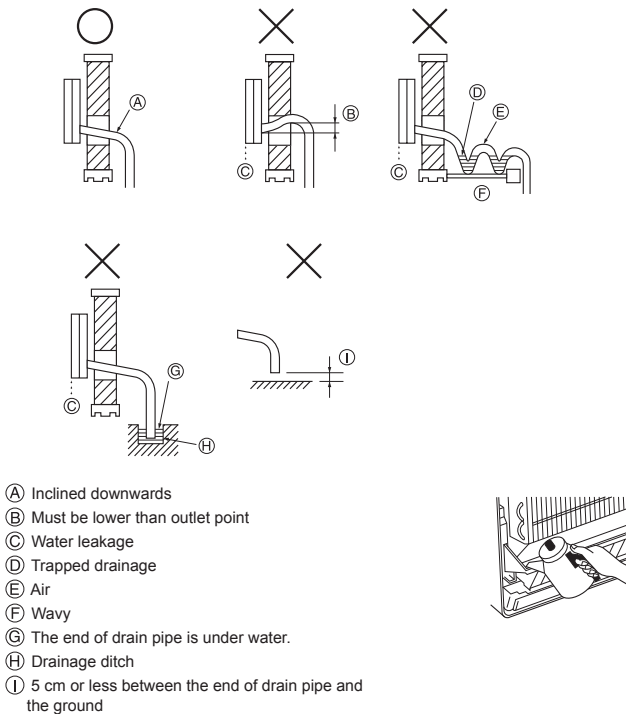


Fig. 4-4

4.4. Completing the piping (Fig. 4-5)

- To prevent condensation from dripping, put felt tape over the insulation materials on the refrigerant and drain pipes within the unit as shown in the diagram.
- Arrange the drain hose so that it goes to the bottom of the unit.
- The overlapping width of felt tape is one half of the tape width.

- (A) Felt tape
- (B) Liquid pipe
- (C) Gas pipe
- (D) Drain piping
- (E) Viewed from the back
- (F) Take care that the middle of the drain hose is not raised.
- (G) In the case of left piping, the refrigerant pipes and the drain pipe should be taped separately.
- (H) Wrap together the refrigerant pipes and the drain pipe with felt tape so that white felt overlaps by 20 mm or more.
- * The pipes should be wrapped so that they are housed behind the unit.
- (I) Fix the end of the felt tape with a bandage fixture.

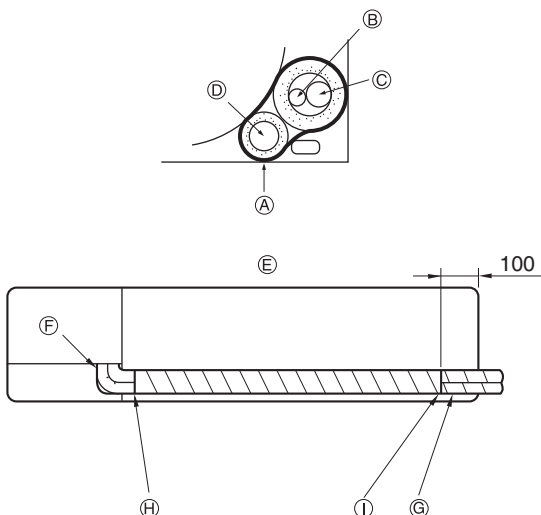


Fig. 4-5

5. Electrical work

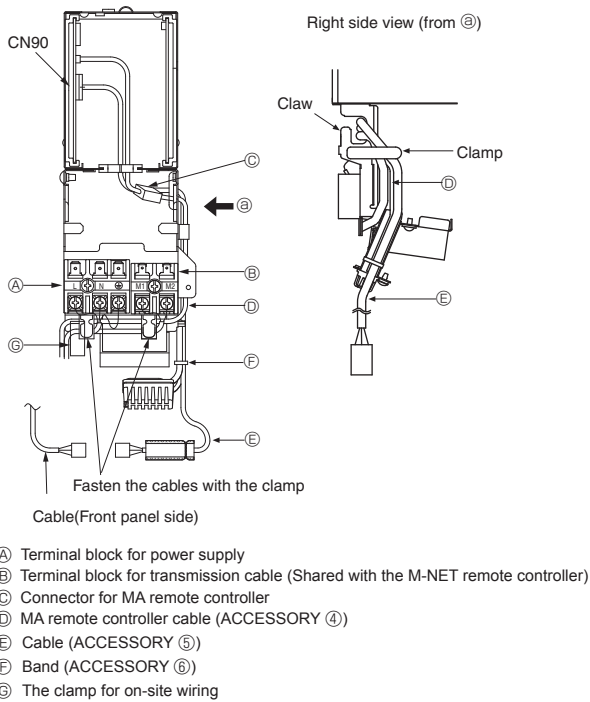


Fig. 5-1

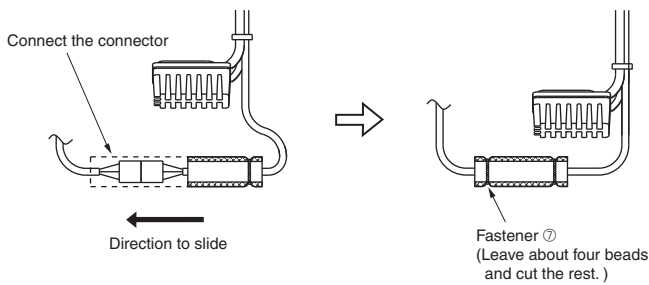


Fig. 5-2

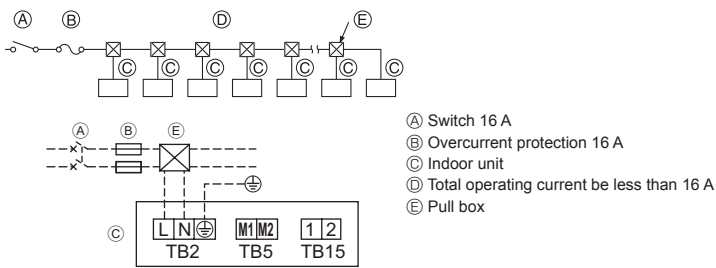


Fig. 5-3

5.1. Indoor unit (Fig. 5-1,5-2)

- 1) Remove the front panel, then remove the corner box from the lower right corner of the indoor unit.
- 2) Remove the screw fixing the electric parts cover and remove the cover.
- 3) Connect the power cable and transmission cable to the terminal block.
 - The electric parts box may have to be pulled forward during customer service etc. Therefore, the wires must have some extra length.
- 4) Connect the connector for MA remote controller. (Non-polarized 2-wire)
- 5) Connect the attached cable ⑤ to the CN90 on controller board in the electrical parts box.
 - * Be sure to connect in case of using MA/M-NET Remote controller.
- 6) Fix the MA Remote controller cable ④ and the cable ⑤ with the clamp through the claw on the right side of the electrical parts box.
- 7) Fix the MA remote controller cable ④ on the fixing clamp with the cable running along the down side of the terminal block.
- 8) Fix the cable ⑤ with the attached band ⑥.
- 9) Bring out the lead wire on the back side of the front panel to the corner box side. Put back the electrical cover and front panel. (Do not pull the lead wire strongly.)
- 10) After connecting the connectors (yellow 9-pole) on the indoor unit and front panel, slide the glass tube and fix it with the attached fastener ㉗ at which the connector joint part is not exposed.
 - * Be sure to connect in case of using MA/M-NET Remote controller.
- 11) Fix each wire with the clamp for on-site wiring under the electrical parts box and put the corner box cover back.

A means for the disconnection of the supply with an isolation switch, or similar device, in all active conductors shall be incorporated in the fixed wiring.

5.2. Power supply wiring

- Wiring size must comply with the applicable local and national code.
 - Power supply codes of appliance shall not be lighter than design 245 IEC 53 or 227 IEC 53.
 - Install an earth line longer than other cables.
 - A switch with at least 3 mm, 1/8 inch contact separation in each pole shall be provided by the air conditioner installation.
- Power cable size : more than 1.5mm² (3-core)

⚠ Warning:

Never splice the power cable or the indoor-outdoor connection cable, otherwise it may result in a smoke, a fire or communication failure.

- ▶ Selecting non-fuse breaker (NF) or earth leakage breaker (NV).

For breaker, means shall be provided to ensure disconnection of all active phase conductors of the supply.

5.3. Types of control cables

1. Wiring transmission cables

Types of transmission cable	Shielding wire CVVS or CPEVS
Cable diameter	More than 1.25 mm ²
Length	Less than 200m

2. M-NET Remote control cables

Types of remote control cable	Shielding wire MVVS
Cable diameter	More than 0.5 to 1.25 mm ²
Length	Add any portion in excess of 10m to within the longest allowable transmission cable length 200m.

3. MA Remote control cables

Types of remote control cable	2-core cable (unshielded)
Cable diameter	0.3 to 1.25 mm ²
Length	Less than 200m

5.4. Connecting remote controller, indoor and outdoor transmission cables (Fig. 5-4)

- Connect indoor unit TB5 and outdoor unit TB3. (Non-polarized 2-wire) The "S" on indoor unit TB5 is a shielding wire connection. For specifications about the connecting cables, refer to the outdoor unit installation manual.

Note:

As for PKFY-P-BM series, TB5 has two terminals and does not have S terminal. The earths of shielding wires are crimping-connected. Insulate the connected parts with insulating tapes and so on.

- Install a remote controller following the manual supplied with the remote controller.
- Connect the remote controller's transmission cable within 10 m using a 0.75 mm² core cable. If the distance is more than 10 m, use a 1.25 mm² junction cable.

5. Electrical work

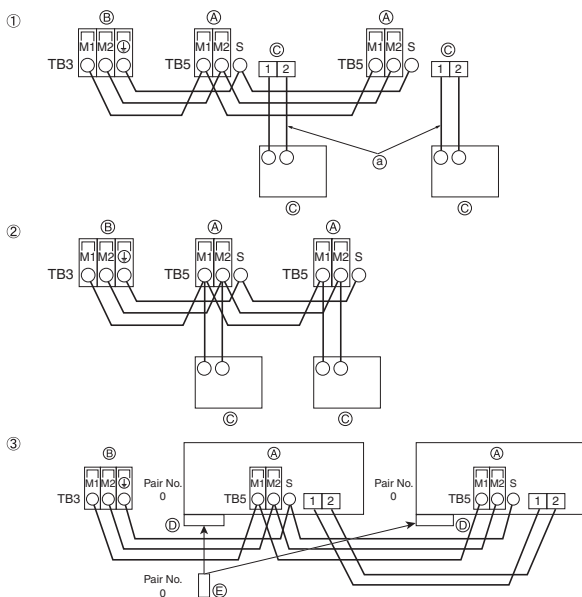


Fig. 5-4

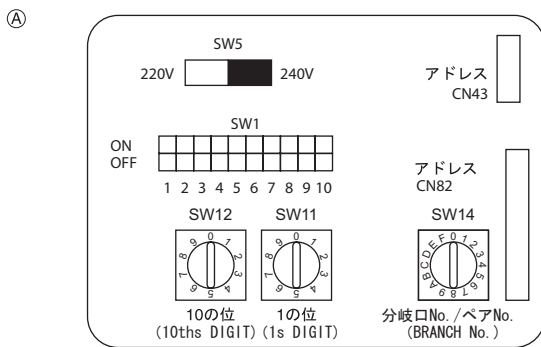


Fig. 5-5

- ① MA Remote controller
 - Connect the "1" and "2" on indoor unit TB15 to a MA remote controller. (Non-polarized 2-wire)
 - DC 9 to 13 V between 1 and 2 (MA remote controller)
- ② M-NET Remote controller
 - Connect the "M1" and "M2" on indoor unit TB5 to a M-NET remote controller. (Nonpolarized 2-wire)
 - DC 24 to 30 V between M1 and M2 (M-NET remote controller)
- ③ Wireless remote controller(When installing wireless signal receiver)
 - Connect the wire of wireless signal receiver (9-pole cable) to CN90 of indoor controller board.
 - When more than two units are run under group control using wireless remote controller, connect TB15 each with the same number.
 - To change Pair No. setting, refer to installation manual attached to wireless remote controller. (In the default setting of indoor unit and wireless remote controller, Pair No. is 0.)

- (A) Terminal block for indoor transmission cable
 (B) Terminal block for outdoor transmission cable(M1(A), M2(B), Ⓣ(S))
 (C) Remote controller (D) Wireless signal receiver (E) Wireless remote controller

5.5. Setting addresses (Fig. 5-5)

(Be sure to operate with the main power turned OFF.)

- There are two types of rotary switch setting available: setting addresses 1 to 9 and over 10, and setting branch numbers.
 - ① How to set addresses
 - Example: If Address is "3", remain SW12 (for over 10) at "0", and match SW11 (for 1 to 9) with "3".
 - ② How to set branch numbers SW14 (Series R2 only)
 - Match the indoor unit's refrigerant pipe with the BC controller's end connection number.
 - Remain other than series R2 at "0".
- The rotary switches are all set to "0" when shipped from the factory. These switches can be used to set unit addresses and branch numbers at will.
- The determination of indoor unit addresses varies with the system at site. Set them referring to the Data Book.

5.6. Sensing room temperature with the built-in sensor in a remote controller

If you want to sense room temperature with the built-in sensor in a remote controller, set SW1-1 on the control board to "ON". The setting of SW1-7 and SW1-8 as necessary also makes it possible to adjust the air flow at a time when the heating thermometer is OFF.

6. Test run

6.1. Before test run

- ▶ After completing installation and the wiring and piping of the indoor and outdoor units, check for refrigerant leakage, looseness in the power supply or control wiring, wrong polarity, and no disconnection of one phase in the supply.
- ▶ Use a 500-volt megohmmeter to check that the resistance between the power supply terminals and ground is at least 1.0 MΩ.

- ▶ Do not carry out this test on the control wiring (low voltage circuit) terminals.

⚠ Warning:

Do not use the air conditioner if the insulation resistance is less than 1.0 MΩ.

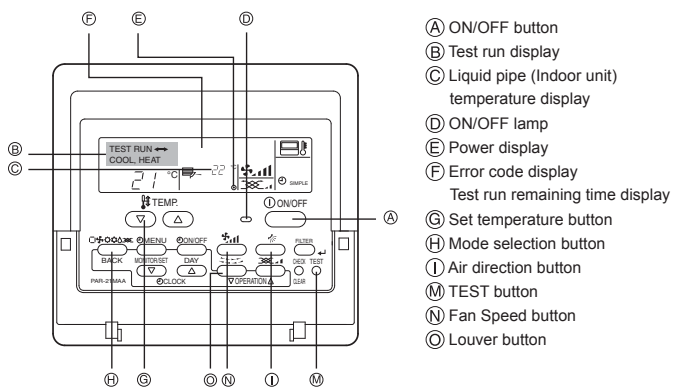


Fig. 6-1

6.2. Test run

Using wired remote controller (Fig. 6-1)

- ① Turn on the power at least 12 hours before the test run.
- ② Press the [TEST] button twice. ➡ "TEST RUN" liquid crystal display
- ③ Press the [Mode selection] button and switch to the cooling (or heating) mode. ➡ Make sure that cold (or warm) wind is blown out.
- ④ Press the [Fan speed] button. ➡ Make sure that the wind speed is switched.
- ⑤ Press the [Air direction button] or [Louver button]. ➡ Check operation of the vane or louver.
- ⑥ Check operation of the outdoor unit fan.
- ⑦ Release test run by pressing the [ON/OFF] button. ➡ Stop
- ⑧ Register a telephone number.

The telephone number of the repair shop, sales office, etc., to contact if an error occurs can be registered in the remote controller. The telephone number will be displayed when an error occurs. For registration procedures, refer to the operation manual for the indoor unit.

Note:

- If an error code is displayed on the remote controller or if the air conditioner does not operate properly, refer to the outdoor unit installation manual or other technical materials.
- The OFF timer is set for the test run to automatically stop after 2 hours.
- During the test run, the time remaining is shown in the time display.
- During the test run, the temperature of the indoor unit refrigerant pipes is shown in the room temperature display of the remote controller.
- When the VANE or LOUVER button is pressed, the message "NOT AVAILABLE" may appear on the remote controller display depending on the indoor unit model, but this is not a malfunction.

Содержание

1. Меры предосторожности.....	56	4. Труба хладагента и дренажная труба.....	58
2. Место установки.....	56	5. Электрические работы.....	60
3. Установка внутреннего прибора.....	57	6. Выполнение испытания.....	61

Примечание:
В этом руководстве по использованию аппарата фраза "проводной пульт дистанционного управления" относится к пульту дистанционного управления PAR-21MAA. Сведения о других пультах дистанционного управления приводятся в руководстве по установке или руководстве по начальным настройкам, находящемся в этих коробках.

1. Меры предосторожности

- ▶ До установки прибора убедитесь, что Вы прочли все "Меры предосторожности".
- ▶ Пожалуйста, перед подключением данного оборудования к системе электропитания, сообщите об этом своему поставщику электропитания или получите его разрешение.

⚠ Предупреждение:
Описывает меры предосторожности, необходимые для предотвращения получения травмы или гибели пользователя.

⚠ Осторожно:
Описывает меры предосторожности, необходимые для предотвращения повреждения прибора.

После окончания установочных работ проинструктируйте пользователя относительно правил эксплуатации и обслуживания аппарата, а также ознакомьте с разделом "Меры предосторожности" в соответствии с информацией, приведенной в Руководстве по использованию аппарата, и выполните тестовый прогон аппарата для того, чтобы убедиться, что он работает нормально. Обязательно передайте пользователю на хранение экземпляры Руководства по установке и Руководства по эксплуатации. Эти Руководства должны быть переданы и последующим пользователям данного прибора.

- ⚠ Предупреждение:**
- Обратитесь к дилеру или квалифицированному технику для выполнения установки кондиционера воздуха.
 - Устанавливайте прибор в месте, способном выдержать его вес.
 - При наличии повреждения в шнуре питания его следует заменить у производителя, или его сервисного представителя, или у лица аналогичной квалификации во избежание опасной ситуации.
 - Пользователь не должен пытаться ремонтировать блок или переносить его в другое место самостоятельно.
 - Данное устройство необходимо устанавливать в соответствии с национальными правилами устройства электроустановок.
 - Используйте для проводки указанные кабели. Убедитесь, что кабели надежно соединены, а оконечные соединения не натянуты. Никогда не соединяйте кабели внахлест (если иное не указано в прилагаемой документации). Несоблюдение этих инструкций может привести к перегреву или возгоранию.
 - Используйте только те дополнительные принадлежности, на которые имеется разрешение от Mitsubishi Electric; для их установки обращайтесь к дилеру или уполномоченному специалисту по установке.
 - Не прикасайтесь к лопастям теплообменника.

- ⚠ Осторожно:**
- При использовании хладагента R410A следует заменить установленные ранее трубы хладагента.
 - Используйте эфирное масло или алкилбензин (в небольших количествах) в качестве охлаждающего масла для смазывания раструбных и фланцевых трубных соединений при использовании хладагента R410A.
 - Не используйте кондиционер воздуха в местах содержания продуктов, домашних животных, растений, точных приборов или предметов искусства.
 - Не используйте кондиционер воздуха в особых условиях.

2. Место установки

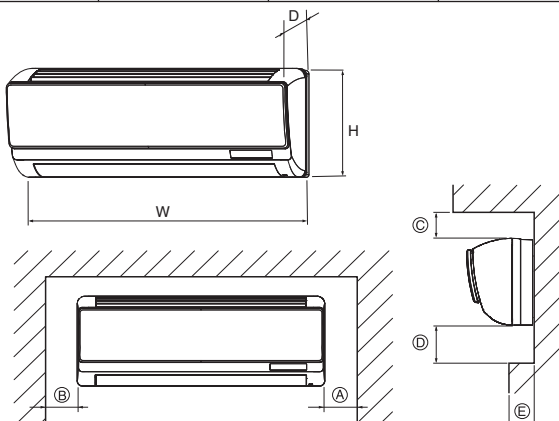
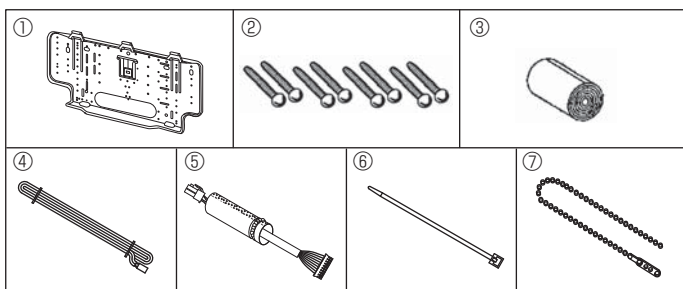


Fig. 2-1

- ⊙ : Указывает действие, которое следует избегать.
- ⚠ : Указывает на важную инструкцию.
- ⚡ : Указывает, что данная часть должна быть заземлена.
- ⚠ : Указывает на необходимость проявлять осторожность по отношению к вращающимся частям.
- ⚡ : Указывает на необходимость отключения главного выключателя перед проведением техобслуживания.
- ⚠ : Опасайтесь электрошока.
- ⚠ : Опасайтесь горячих поверхностей.
- ⚡ : При проведении техобслуживания отключите электропитание как внутреннего, так и наружного прибора.

⚠ Предупреждение:
Внимательно прочтите текст на этикетках главного прибора.

- Устанавливайте кондиционер согласно инструкциям, приведенным в данном Руководстве по установке.
- Все электроработы должны выполняться квалифицированным электриком, имеющим соответствующую лицензию, в соответствии с местными нормативами.
- Если кондиционер установлен в небольшом помещении, необходимо принять меры для предотвращения концентрации хладагента свыше безопасных пределов в случае утечки хладагента.
- Вырубленные грани отпрессованных деталей могут нанести травмы - порезы и т.д. Просим установщиков надевать защитную одежду, например, перчатки и т.д.
- При установке, перемещении или сервисном обслуживании кондиционера используйте только указанный хладагент (R410A) для заправки трубопроводов хладагента. Не допускается его смешивание с другим хладагентом или наличие воздуха в трубопроводах.
- При смешивании воздуха с хладагентом может произойти чрезмерное повышение давления в трубопроводе хладагента, что способно вызвать взрыв или другие нештатные ситуации.
- Использование любого иного хладагента, кроме указанного для системы, приводит к механическому отказу, неисправности системы или поломке прибора. В худшем случае это может привести к серьезному препятствию для обеспечения безопасности изделия.

- Заземлите прибор.
- Установите прерыватель цепи, если требуется.
- Используйте сетевой кабель достаточной мощности напряжения.
- Используйте прерыватель цепи и предохранитель указанной мощности.
- Не прикасайтесь к выключателям мокрыми руками.
- Не прикасайтесь к трубам хладагента во время работы и сразу после выключения прибора.
- Не используйте кондиционер воздуха, если его панели и крышки сняты.
- Не отключайте питание немедленно после выключения прибора.

Внутренний прибор поставляется со следующими частями и приспособлениями:

НОМЕР ЧАСТИ	ПРИСПОСОБЛЕНИЕ	КОЛИЧЕСТВО	РАСПОЛОЖЕНИЕ ПРИ УСТАНОВКЕ
①	Кронштейн для закрепления на стене	1	В упаковочном материале
②	Самонарезающий винт 4 × 25	8	
③	Войлочная лента	1	
④	Кабель пульта дистанционного управления MA	1	
⑤	Кабель	1	
⑥	Поясок	1	
⑦	Зажим	1	

2.1. Наружные размеры прибора (Внутренний прибор) (Fig. 2-1)

Выберите такое место для установки, которое обеспечивало бы следующие зазоры, необходимые для установки и техобслуживания.

(мм)

Модель	W	D	H	Ⓐ	Ⓑ	Ⓒ*1	Ⓓ	Ⓔ
PKFY-P-VBM	815	225	295	Min. 20	Min. 22	Min. 50	Min. 100	Max. 90

*1 : 60 мм или более для левой и левой задней трубной обвязки.

⚠ Предупреждение:
Установите внутренний прибор на достаточно прочной стене, которая способна выдерживать его вес.

3. Установка внутреннего прибора

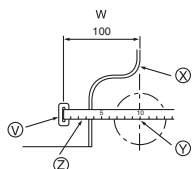
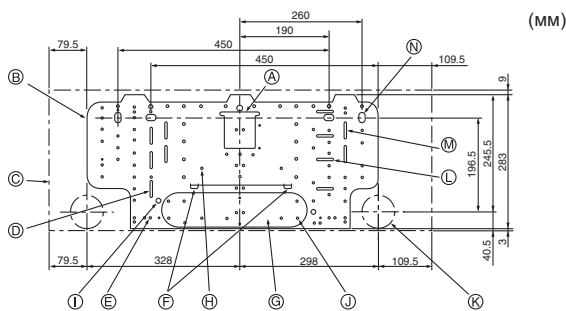


Fig. 3-1

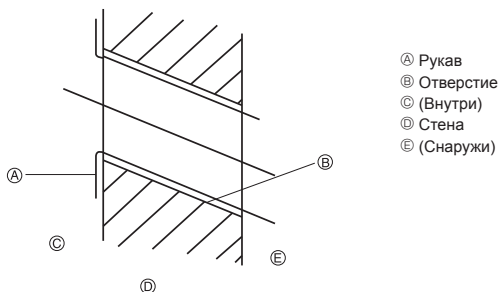


Fig. 3-2

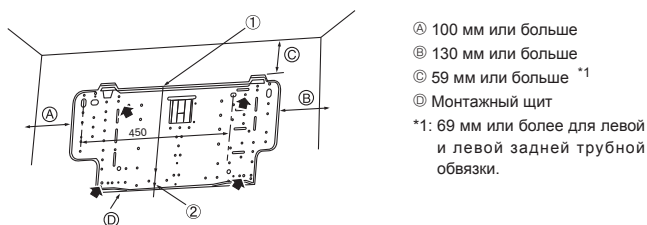


Fig. 3-3

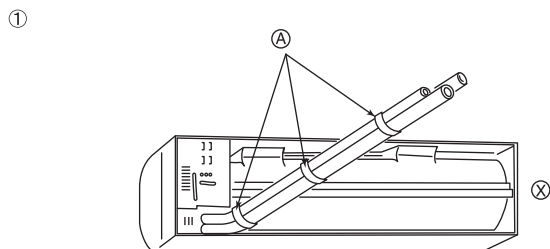


Fig. 3-4

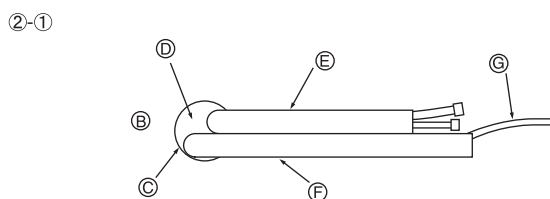


Fig. 3-5

3.1. Установка настенного крепления (Fig. 3-1)

3.1.1. Установка настенного крепления и позиции труб

▶ Используя настенное крепление, определите положение установки прибора и будущее расположение просверленных отверстий для труб.

⚠ Предупреждение:

Перед сверлением отверстия в стене необходимо получить консультацию у подрядчика-строителя.

- | | |
|---|--|
| Ⓐ Поддерживающая часть | Ⓜ Щель (4-4,5 × 37) |
| Ⓑ Монтажный щит | Ⓝ Пробоиваемое отверстие (12- \varnothing 2,6) |
| Ⓒ Корпус | Ⓞ Пробоиваемое отверстие (4- \varnothing 9) |
| Ⓓ Щель (4-4,5 × 35) | Ⓟ Пробоиваемое отверстие (87- \varnothing 5,4) |
| Ⓔ Пробоиваемое отверстие (8- \varnothing 4,3) | Ⓠ Отверстия для труб (\varnothing 65) |
| Ⓕ Эталон ровной установки | Ⓡ Щель (4-4,5 × 40) |
| Ⓖ Пробоиваемое отверстие | Ⓢ Щель (4-11 × 20) |

W: Расположение отверстий в стене

- Ⓧ Настенный кронштейн
- Ⓨ Центр отверстия
- Ⓩ Совместить шкалу с линией
- Ⓦ Вставить шкалу

3.1.2. Сверление отверстия для руб (Fig. 3-2)

▶ Используя трубчатое сверло, просверлите отверстие диаметром 90-100 мм в стене в направлении труб, в месте, указанном на схеме слева.

▶ Отверстие должно быть наклонным так, чтобы наружное отверстие было ниже, чем внутреннее отверстие.

▶ Проведите рукав (диаметром 90 мм, приобретается на месте) через отверстие.

Примечание:

Наклонность отверстия необходима для создания дренажного потока.

3.1.3. Установка настенного кронштейна

▶ Поскольку внутренний прибор весит около 10 кг, необходимо тщательно продумать место для его установки. Если стена недостаточно прочная, перед установкой прибора ее следует укрепить досками или балками.

▶ Настенный кронштейн должен быть закреплен с обоих концов и в центре, если возможно. Никогда не укрепляйте его только в одном месте или каким-либо несимметричным образом.

(Если возможно, укрепите установочную арматуру во всех точках, которые обозначены жирной стрелкой.) (Fig. 3-3)

⚠ Предупреждение:

Если возможно, закрепите установку в точках, обозначенных жирными стрелками.

⚠ Осторожно:

• Корпус прибора должен быть установлен ровно по горизонтали.
• Закрепите в отверстиях, обозначенных символом ▲, на которые указывают стрелки.

- ① Прикрепите шнур к отверстию.
- ② Чтобы определить ровный уровень, закрепите вес на шнуре и совместите шнур с отметкой.

3.2. Подготовка к подсоединению труб

▶ Удалите виниловую рукоятку, которая удерживает дренажную трубу.

① Трубы сзади, справа и внизу (Fig. 3-4)

▶ Соедините трубы хладагента и дренажную трубу виниловой лентой в трех местах или более. Это облегчит проведение труб через стену.

- Ⓐ Виниловая лента
- Ⓧ Вид с задней стороны прибора
- ② Трубы слева и сзади слева

②-① Для задних левых труб вытяните трубы из отверстий, чтобы определить их точную длину, затем свяжите их лентой. Внутренний прибор должен висеть на настенном кронштейне. (Fig. 3-5)

- Ⓑ Стена
- Ⓒ Отверстие в стене
- Ⓓ Согнутый отрезок
- Ⓔ Труба хладагента
- Ⓕ Дренажная труба
- Ⓖ Кабель передачи

3. Установка внутреннего прибора

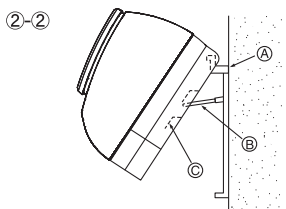


Fig. 3-6

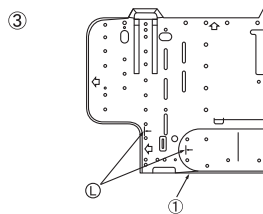


Fig. 3-7

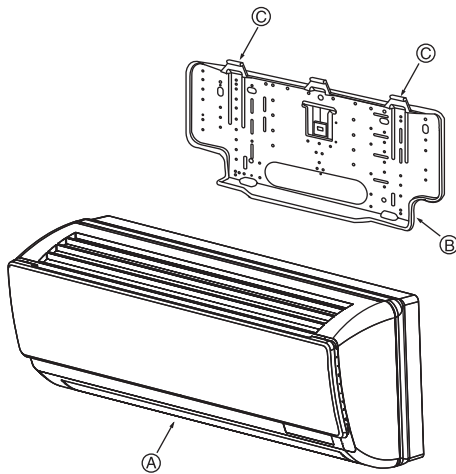


Fig. 3-8

- ②-② Приподнимите внутренний прибор, соединив поддерживающие части (которые закреплены на монтажном щите) с ребрами, расположенными на задней панели прибора, как показано на иллюстрации. (Fig. 3-6) Когда все трубы будут проложены и соединены и т.д., верните поддерживающие части в их исходное положение на монтажном щите. (Если прибор не будет надежно закреплен, во время его работы может наблюдаться вибрация)

- Ⓐ Монтажный щит
- Ⓑ Поддерживающая часть
- Ⓒ Ребро

- ③ Если труба с раструбом должна быть укреплена на стене заранее: (Fig. 3-7)
- Определите длину трубы, которая должна быть укреплена, используя отметки на настенном кронштейне как эталон.

- Ⓓ Отметка
- ⓫ Настенный кронштейн

3.3. Установка прибора на стене (Fig. 3-8)

- ① Надежно поместите детали для навешивания внутреннего прибора над захватами настенного кронштейна.

- Ⓐ Внутренний прибор
- Ⓑ Настенный кронштейн
- Ⓒ Захваты

- ② Когда прокладка труб будет закончена, закрепите внутренний прибор на настенном кронштейне с помощью фиксирующих винтов.

4. Труба хладагента и дренажная труба

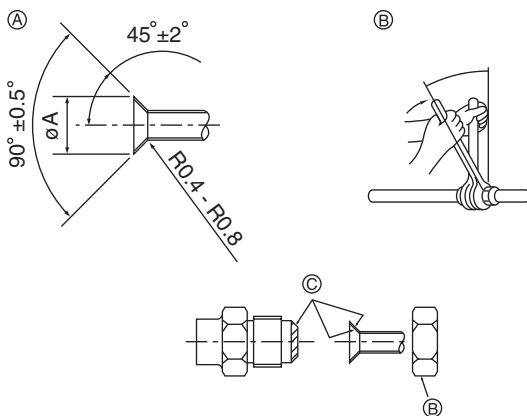


Fig. 4-1

4.1. Соединение труб (Fig. 4-1)

- При использовании медных труб, имеющихся в продаже, оберните трубы для жидкости и газа имеющимися в продаже изоляционными материалами (с теплозащитой от 100 °C или выше, толщиной не менее 12 мм).
- Внутренняя часть дренажной трубы должна быть обернута в пенополиэтиленовый изолирующий материал (удельный вес 0,03; толщина 9 мм или более).
- Нанесите тонкий слой масла хладагента на контактную поверхность труб и соединений перед тем, как затягивать гайку с фланцем.
- Для затягивания трубных соединений используйте два гаечных ключа.
- Используйте прилагаемое трубное изоляционное покрытие для изоляции соединений внутреннего блока. Тщательно крепите изоляцию.

⚠ Предупреждение:

При установке прибора надежно подсоедините трубы подачи охлаждающей жидкости до запуска компрессора.

Ⓐ Раструбный стык - размеры

Медная труба O.D. (мм)	Размеры раструба, диаметр A (мм)
ø6,35	8,7 - 9,1
ø12,7	16,2 - 16,6

Ⓑ Размеры труб хладагента и крутящий момент конусной гайки.

	R410A				Гайка раструбного стыка O.D.	
	Труба для жидкости		Труба для газа		Труба для жидкости (мм)	Труба для газа (мм)
	Размер трубы (мм)	Момент затяжки (Н·м)	Размер трубы (мм)	Момент затяжки (Н·м)		
P15/P20/25	ODø6,35 (1/4")	14 - 18	ODø12,7 (1/2")	49 - 61	17	26

- Ⓒ Запрещается наносить холодильное масло на места установки винтов. (Это повысит риск ослабления конусных гаек.)

- Ⓓ Обязательно используйте конусные гайки, закрепленные на главном блоке.

(При использовании гаек другого типа, имеющихся в продаже, могут появиться трещины.)

- Ⓔ Нанесите машинное масло охлаждения на всю поверхность области присоединения муфты.

4. Труба хладагента и дренажная труба

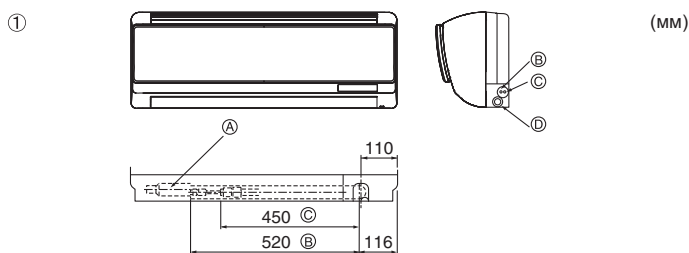


Fig. 4-2

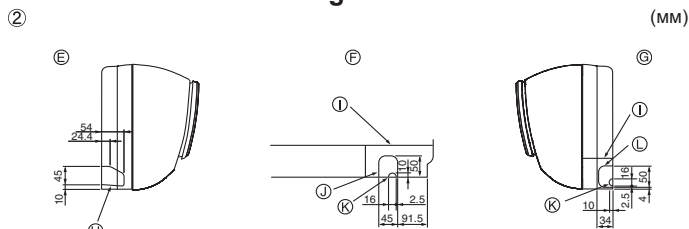
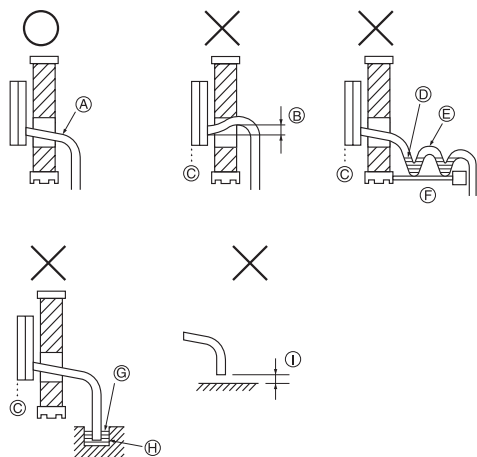


Fig. 4-3



- Ⓐ Наклонена вперед
- Ⓑ Должна находиться ниже выпускного отверстия
- Ⓒ Утечка жидкости
- Ⓓ Сифон дренажа
- Ⓔ Воздух
- Ⓕ Гофра
- Ⓖ Конец дренажной трубы находится под водой.
- Ⓗ Осушительный канал
- Ⓘ Не более 5 см от конца дренажной трубы до земли

Fig. 4-4

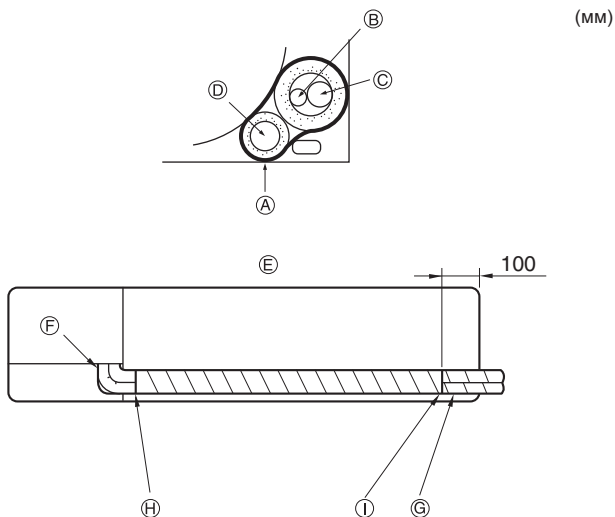


Fig. 4-5

4.2. Выбор расположения труб хладагента и дренажных труб

① Расположение труб хладагента и дренажных труб (Fig. 4-2)

- Дренажные трубы могут быть отрезаны посередине в соответствии с требованиями на объекте.

- Ⓐ (Рабочая длина: 640)
- Ⓑ Труба для жидкости
- Ⓒ Труба для газа
- Ⓓ Дренажный шланг

② Определите положение пробиваемых отверстий на корпусе прибора. (Fig. 4-3)

► Пробейте отверстия с помощью соответствующего инструмента или ножа. Проявляйте осторожность, чтобы не повредить другие части прибора.

- Удалите угловую коробку и просверлите отверстие: если отверстие просверливается без снятия коробки, можно повредить дренажный шланг.

- Ⓔ Трубы слева
- Ⓕ Нижние трубы
- Ⓖ Трубы справа
- Ⓗ Пробиваемое отверстие для труб слева
- Ⓘ Угловая коробка
- Ⓚ Пробиваемое отверстие для нижних труб
- Ⓛ Сквозные отверстия для Кабеля дистанционного пульта управления
- Ⓜ Пробиваемое отверстие для труб справа

4.3. Дренажные трубы (Fig. 4-4)

- Дренажные трубы должны иметь наклон 1/100 или более.
- Для удлинения дренажных труб используйте мягкий шланг (внутренний диаметр 16 мм), имеющийся в продаже, или трубу из твердого винилхлорида (VP-16). Убедитесь, что в местах соединения нет утечек.
- Если дренажная труба проходит через помещение, она должна быть покрыта изоляционным материалом (формовочным полиэтиленом: удельный вес 0,03, толщина 9 мм или более), который имеется в продаже.
- Не помещайте дренажные трубы непосредственно в дренажную канаву, где возможно образование сернистого газа.
- После завершения прокладки труб, проверьте поток воды из и от дренажной трубы.

⚠ Осторожно:

Дренажная труба должна быть установлена в соответствии с инструкциями в данном руководстве для обеспечения правильного дренажа. Термоизоляция дренажных труб необходима для предотвращения конденсации. Если дренажные трубы не установлены и не изолированы как требуется, может появиться конденсация на потолке и вода будет капать на пол и на ваше имущество.

4.4. Завершение прокладки труб (Fig. 4-5)

- Для предотвращения падения капель поместите войлочную ленту поверх изоляционного материала на трубы хладагента и дренажные трубы внутри прибора, как указано на диаграмме.

- Поместите дренажный шланг так, чтобы он проходил к низу прибора.

- Перехлестка войлочной ленты составляет полтора размера ее ширины.

- Ⓐ Войлочная лента
- Ⓑ Труба жидкости
- Ⓒ Труба газа
- Ⓓ Дренажная труба
- Ⓔ Вид сзади
- Ⓕ Проявляйте осторожность, чтобы не приподнять середины дренажного шланга
- Ⓖ При оборачивании труб слева, трубы хладагента и дренажная труба должны быть обернуты отдельно
- Ⓗ Оберните вместе трубы хладагента и дренажную трубу войлочной лентой так, чтобы войлок имел нахлестку 20 мм и более.
- * Труба должна быть обернута так, чтобы она размещалась за прибором
- Ⓘ Закрепите конец войлочной ленты бандажным средством.

5. Электрические работы

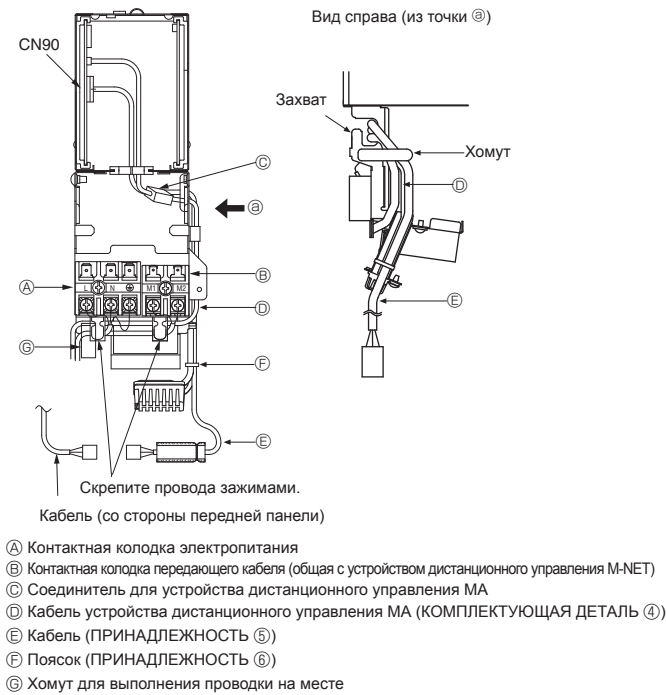


Fig. 5-1

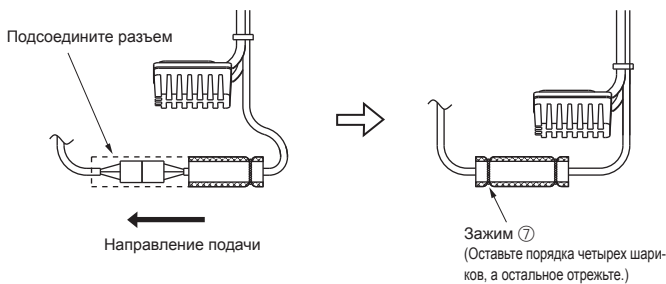


Fig. 5-2

5.1. Внутренний прибор (Fig. 5-1, 5-2)

- 1) Снимите переднюю панель, затем снимите угловую коробку с нижнего угла внутреннего прибора.
- 2) Удалите винт, закрепляющий крышку электрической части и снимите эту крышку.
- 3) Соедините силовой кабель и кабель передачи с блоком терминала.
- 4) Подсоедините разъем устройства дистанционного управления МА. (неполяризованный, 2-х проводной)
- 5) Подсоедините подключенный кабель ⑤ к CN90 на плате контроллера в распределительной коробке.
*Обязательно выполните данное подсоединение при использовании устройства дистанционного управления МА/M-NET.
- 6) Зафиксируйте кабель ④ и кабель ⑤ устройства дистанционного управления МА хомутом при помощи захвата, расположенного на правой стороне распределительной коробки.
- 7) Зафиксируйте кабель ④ устройства дистанционного управления МА хомутом так, чтобы кабель проходил по нижней части клеммной колодки.
- 8) Закрепите кабель ⑤ при помощи фиксирующего пояса ⑥.
- 9) Проложите проволочный вывод от тыльной стороны передней панели к угловой коробке. Установите крышку и переднюю панель распределительной коробки на место (не тяните сильно за проволочный вывод).
- 10) После подсоединения разъемов (желтых, 9-полюсных) к внутреннему прибору и передней панели сдвиньте стеклянную трубку и закрепите ее при помощи зажима ⑦, на котором нет соединительной части разъема.
*Обязательно выполните данное подсоединение при использовании устройства дистанционного управления МА/M-NET.
- 11) Зафиксируйте каждый провод при помощи хомута так, чтобы выполненная на месте проводка проходила под распределительной коробкой, и установите крышку угловой коробки на место.

Устройство для отключения питания с помощью разъединителя или подобного ему устройства во всех активных проводниках будет встроено в стационарную проводку.

5.2. Силовая проводка

- Размер проводов должен подбираться с учетом применимых местных и национальных нормативов.
 - Класс проводов электропитания должен быть не ниже 245 IEC 53 или 227 IEC 53.
 - Длина устанавливаемого кабеля заземления должна превышать длину других кабелей.
 - При установке кондиционера следует предусмотреть переключатель с расстоянием между контактами 3 мм, 1/8 дюйма на каждом проводе.
- Сечение силового кабеля: более 1,5 мм² (трехжильный)

⚠ Предупреждение:

Никогда не подсоединяйте внахлест силовой кабель или соединительный кабель внешнего питания. Это может привести к задымлению, возгоранию или неисправности.

- ▶ Выбор нелавкого предохранителя (NF) или выключателя тока утечки на землю (NV).

Предохранитель и выключатель должны обеспечивать отключение всех фазовых проводов от источника питания.

5.3. Типы кабелей управления

1. Коммуникационные кабели

Типы коммуникационных кабелей	Экранированный провод CVVS или CPEVS
Диаметр кабеля	Свыше 1,25 мм ²
Длина	Менее 200 м

2. Кабели дистанционного управления "M-NET"

Тип кабеля дистанционного управления	Экранированный провод MVVS
Диаметр кабеля	Свыше 0,5 до 1,25 мм ²
Длина	Для кабелей свыше 10 м длина не должна превышать максимальную допустимую длину коммуникационного кабеля, равную 200 м.

3. Кабели дистанционного управления "МА"

Тип кабеля дистанционного управления	2-жильный кабель (неэкранированный)
Диаметр кабеля	От 0,3 до 1,25 мм ²
Длина	Менее 200 м

5.4. Подсоединение пульта дистанционного управления, кабелей передачи внутри и снаружи (Fig. 5-4)

- Подсоедините внутренний прибор ТВ5 к внешнему прибору ТВ3 (неполяризованный двухжильный провод).
"S" на внутреннем приборе ТВ5 - это соединение экранированного провода.
- Технические условия соединения кабелей указаны в руководстве по установке наружного прибора.

Примечание:

- Кондиционеры серии PKFY-P-BM снабжены двумя клеммами TB5 и клеммы S не имеют. Для подключения заземления экранированных проводов обожмите их. Заизолируйте точки соединения при помощи изоляционной ленты и аналогичного материала.
- Установите пульт дистанционного управления, следуя инструкциям, приведенным в поставленном вместе с ним руководстве.
 - Подсоедините кабель передачи пульта дистанционного управления в пределах 10 м с помощью 0,75 мм². Если расстояние превышает 10 м, используйте для соединения кабель 1,25 мм².

5. Электрические работы

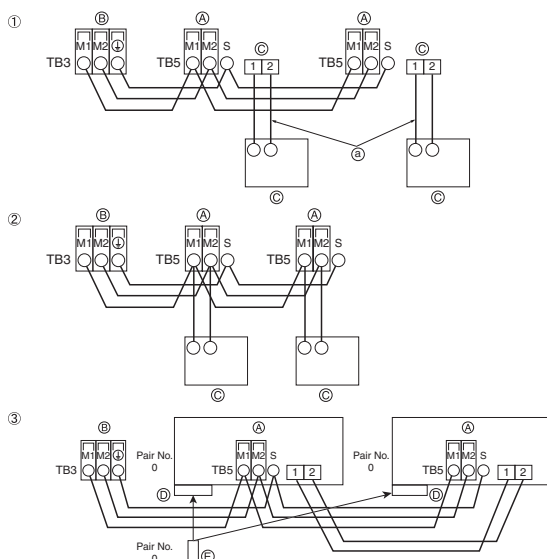


Fig. 5-4

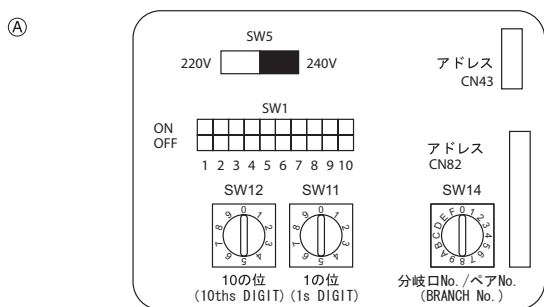


Fig. 5-5

- ① Пульт дистанционного управления "МА"
- Подсоедините "1" и "2" на TB15 внутреннего блока кондиционера к Пульт дистанционного управления "МА". (Неполяризованный 2-жильный кабель)
- Между 1 и 2 постоянный ток 9 - 13 В (Пульт дистанционного управления "МА")
- ② Пульт дистанционного управления "M-NET"
- Подсоедините "M1" и "M2" на TB5 внутреннего блока кондиционера к Пульт дистанционного управления "M-NET". (Неполяризованный 2-жильный кабель)
- Между M1 и M2 постоянный ток 24 - 30 В (Пульт дистанционного управления "M-NET")
- ③ Беспроводной пульт дистанционного управления (в случае установки приемника беспроводных сигналов)
- Подключите провод беспроводного приемника (9-жильный провод) к разъему CN90 платы контроллера внутреннего блока.
- Если беспроводной пульт используется для одновременного управления более чем двумя блоками, подключите к каждому из них TB15 с соответствующим номером.
- Чтобы изменить настройку номера пары, см. Руководство по установке, прилагаемое к беспроводному пульту дистанционного управления. (Настройка по умолчанию для внутреннего блока и беспроводного пульта дистанционного управления: номер пары - 0.)
- А Клеммная колодка для внутреннего коммуникационного кабеля
- Б Клеммная колодка для наружного коммуникационного кабеля (M1(A), M2(B), ⊕(S))
- С Пульт дистанционного управления
- Д Беспроводной приемник
- Е Беспроводной пульт дистанционного управления

5.5. Установка адресов (Fig. 5-5)

(Убедитесь, что при выполнении этой работы подача электроэнергии отключена.)
 • Имеются два способа установки поворотного переключателя: установка адресов от 1 до 9 и свыше 10, и установка номеров ветвей.

- ① Установка адресов
 Пример: Для установки адреса "3" оставьте переключатель SW12 (для адресов свыше 10) в положении "0" и переведите переключатель SW11 (для адресов от 1 до 9) в положение "3".
- ② Установка номеров ответвлений с помощью переключателя SW14 (только для серии R2)
 Определите номер соединения на ВС-контроллере для трубопровода хладагента внутреннего блока.
 Для серий, отличных от R2, оставьте переключатель в положении "0".
 При отправке с завода-изготовителя поворотные переключатели установлены в положение "0". Переключатели используются для установки адресов и номеров ответвлений по желанию пользователя.
- Значения адресов внутренних блоков зависят от конкретной системы. Устанавливайте адреса и номера ответвлений в соответствии со "Сборником данных".

5.6. Измерение температуры внутри комнаты с помощью датчика, встроенного в пульт дистанционного управления

Для измерения температуры внутри комнаты с помощью датчика, встроенного в пульт дистанционного управления, установите переключатель SW1-1 на пульте управления в "ON". Благодаря установке переключателей SW1-7 и SW1-8 в требуемые положения также возможно регулировать воздушный поток при выключенном термометре режима обогрева.

6. Выполнение испытания

6.1. Перед пробным прогоном

- ▶ После завершения установки, прокладки труб и электропроводки внутреннего и наружного приборов проверьте отсутствие утечки хладагента, слабых соединений кабеля питания или проводов управления и неправильной полярности, а также убедитесь, что все фазы питания подключены.
- ▶ Измерьте сопротивление между терминалами источника электропитания и заземлением с использованием 500-вольтного меггера и убедитесь, что сопротивление составляет не менее 1,0 МΩ.

- ▶ Запрещается выполнять этот замер на терминалах проводов управления (цепь низкого напряжения).

⚠ Предупреждение:
 Не пользуйтесь кондиционером воздуха, если сопротивление изоляции ниже 1,0 МΩ.

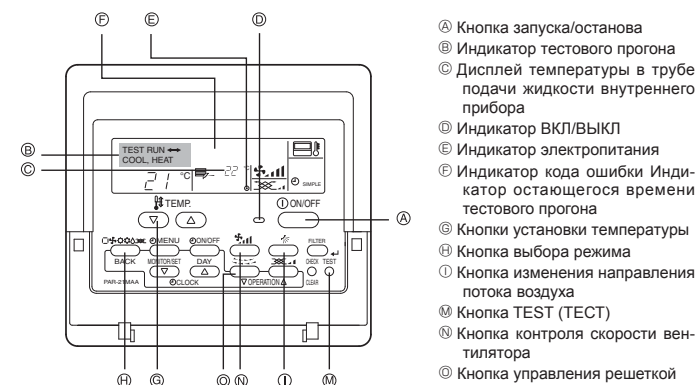


Fig. 6-1

6.2. Выполнение испытания

Использование проводного пульта дистанционного управления (Fig. 6-1)

- ① Включите питание по крайней мере за 12 часов до начала пробного прогона.
- ② Дважды нажмите кнопку [TEST]. ➡ "TEST RUN" на ЖК-дисплее
- ③ Нажмите кнопку [Mode selection] (Выбор режима) и переключитесь на режим охлаждения (или обогрева). ➡ Убедитесь в том, что выдувается холодный (или теплый) воздух.
- ④ Нажмите кнопку [Fan speed] (Скорость воздушного потока). ➡ Убедитесь в том, что скорость воздушного потока переключилась.
- ⑤ Нажмите кнопку изменения направления потока воздуха или кнопку управления решеткой.
 ➡ Проверьте работоспособность заслонки.
- ⑥ Проверьте работу вентилятора наружного прибора.
- ⑦ Выключите пробный прогон нажатием кнопки [ON/OFF]. ➡ Стоп
- ⑧ Введите телефонный номер.
 Телефонный номер ремонтной мастерской, отдела продаж и т.д., по которому можно связаться при появлении ошибки, необходимо записать в пульт дистанционного управления. Телефонный номер отобразится при возникновении ошибки. Процедуры ввода приводятся в руководстве по эксплуатации внутреннего прибора.

Примечание:

- При отображении кода ошибки на дисплее пульта дистанционного управления или сбоях в работе кондиционера справьтесь с Руководством по установке наружного прибора или с другими техническими документами.
- При выборе параметра OFF таймера пробный прогон будет автоматически отключен через 2 часа.
- Во время пробного прогона оставшееся время отображается на дисплее.
- Во время пробного прогона температура в трубах охлаждения внутреннего прибора отображается на дисплее комнатной температуры пульта дистанционного управления.
- В зависимости от модели внутреннего прибора при нажатии на кнопку VANE или кнопку LOUVER на дисплее пульта дистанционного управления может появиться сообщение «NOT AVAILABLE» (НЕ ДОСТУПНО), что не является признаком неисправности.

This product is designed and intended for use in the residential,
commercial and light-industrial environment.

Importer:

Mitsubishi Electric Europe B.V.
Capronilaan 46, 1119 NS, Schiphol Rijk, The Netherlands

French Branch
25, Boulevard des Bouvets, 92741 Nanterre Cedex, France

German Branch
Mitsubishi-Electric-Platz 1, 40882 Ratingen, Germany

Belgian Branch
Autobaan 2, 8210 Loppem, Belgium

Irish Branch
Westgate Business Park, Ballymount, Dublin 24, Ireland

Italian Branch
Centro Direzionale Colleoni, Palazzo Sirio-Ingresso 1 Viale Colleoni 7, 20864 Agrate Brianza
(MB), Italy

Norwegian Branch
Gneisveien 2D, 1914 Ytre Enebakk, Norway

Portuguese Branch
Avda. do Forte, 10, 2799-514, Carnaxide, Lisbon, Portugal

Spanish Branch
Carretera de Rubi 76-80 - Apdo. 420 08173 Sant Cugat del Valles (Barcelona), Spain

Scandinavian Branch
Hammarbacken 14, P.O. Box 750 SE-19127, Sollentuna, Sweden

UK Branch
Travellers Lane, Hatfield, Herts., AL10 8XB, England, U.K.

Polish Branch
Krakowska 50, PL-32-083 Balice, Poland

mitsubishi electric turkey elektrik ürünleri a.ş.
Şerifali Mah. Kale Sok. No: 41 34775 Ümraniye, İstanbul / Turkey

MITSUBISHI ELECTRIC (RUSSIA) LLC
52, bld.1 Kosmodamianskaya Nab. 115054, Moscow, Russia

Please be sure to put the contact address/telephone number on
this manual before handing it to the customer.