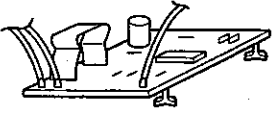
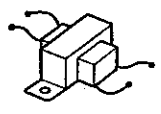
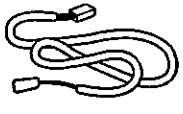

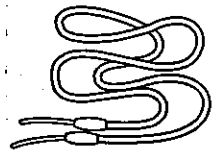


1. Please confirm that this box contains the following parts in addition to this manual.

① Fan controller	② Transformer	③ Thermistor	④ Tapping screw	⑤ Crankcase heater
 (with lead wire) 1 set	 1 pc.	 1 pc.	 ST 3 × 8 2 pcs.	 PAC-SK71CTA 0 pcs. PAC-SK72CTA 1 pcs.

2. Mounting Procedures (Read the following explanations carefully to install the fan controller.)

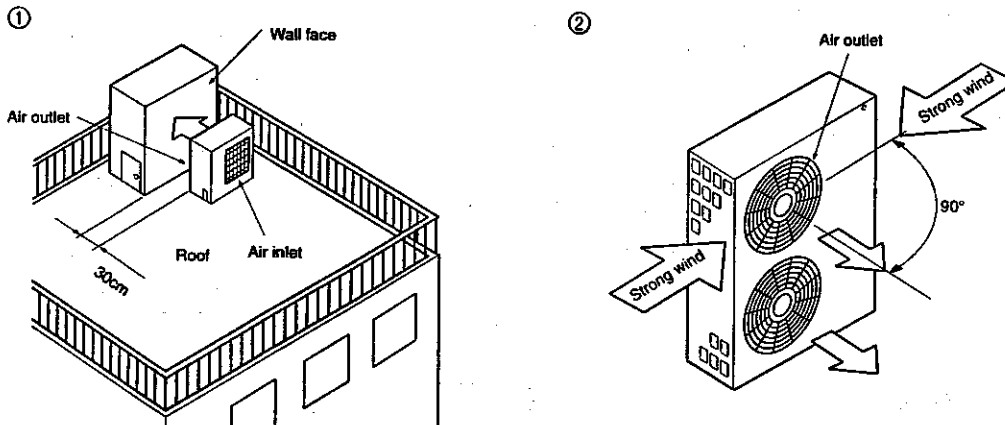
Precautions

- 1) This separately sold part is a fan controller for performing year-round cooling operation with air conditioner models dedicated to cooling.
- 2) Operable range: Outside air temperature -5°C to 52°C DB
Indoor temperature setting range 18°C to 29°C DB
- 3) When the air conditioner is operated when the outdoor air temperature is no higher than -5°C, it will become impossible to keep the condenser fan speed constant. As a result, the condenser fan speed will drop accordingly, the antifreeze function of the indoor unit will tend to be activated more easily.
- 4) The mounting of this separately sold part can be performed more easily if it is performed before installation of the air conditioner unit.

1 Selection of the Installation Location

This fan controller varies the rotation speed of the propeller fan of the outdoor unit. Thus the control characteristics will be affected inadvertently when strong winds blow against the propeller fan. If such circumstances can occur, as when the outdoor unit is installed at locations where there are no buildings in the surroundings or on the roof, etc., pay careful attention to ① and ② of Fig. 1 below upon installation.

Fig. 1 Unit Installation Location



If there is a wall nearby, install the outdoor unit so that the air outlet faces the wall face. Also, keep a distance of 30cm from the wall in this case.

In the case of a location that is exposed to winds and the wind direction during the operating season is known, install the unit so that the air outlet of the product will be at a right angle to the wind direction.

If the measures of neither ① nor ② can be taken, install a suitable windproof wall such as that of ①. In areas with snowfall, take snow protection measures to avoid the effects of snow.

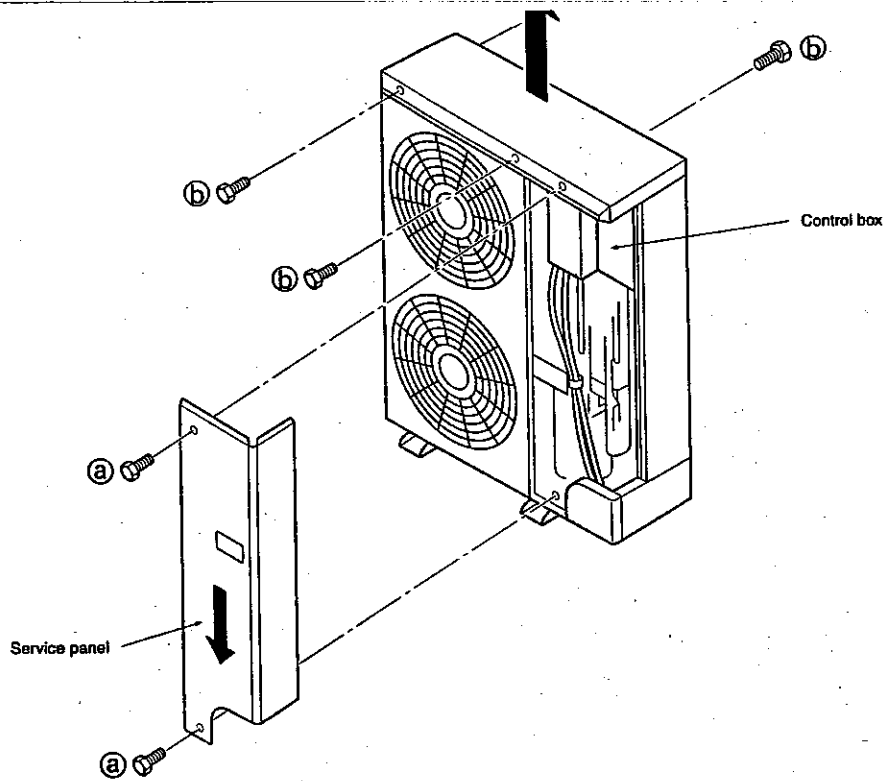
2 Preparation for Mounting

Remove the panel of the outdoor unit (see Fig. 2).

- i) Remove the service panel.
(The service panel can be removed by removing the 2 screws labeled as ③ and sliding the panel downwards.)
- ii) Remove the top panel.
(The top panel can be removed by removing the 4 screws labeled as ④ and raising the panel upwards.)

Fig. 2 Panel Disassembly Procedure





3 Mounting the Fan Controller

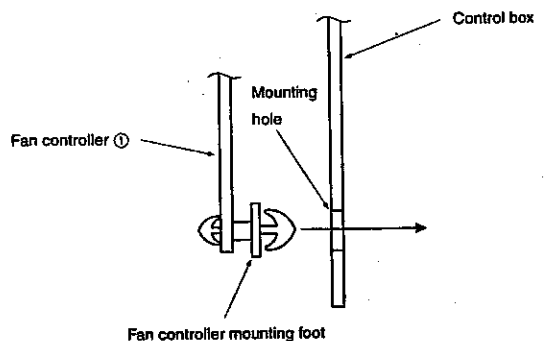
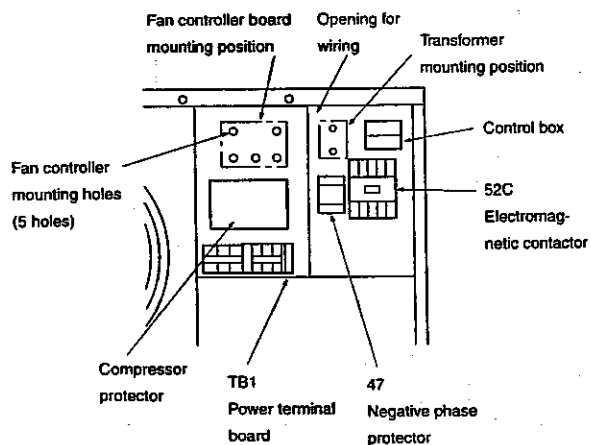
1. Mount the fan controller and the transformer to the control box of the outdoor unit.

• For the 3hp, 5hp, and 6hp types

- [1] Mount fan controller ① by inserting the mounting feet of fan controller ① from the surface of the control box (see Fig. 4).
- [2] Mount transformer ② to the controller box using the two tapping screws ④.

Fig. 3 Fan Controller Mounting Position
[For the 3hp, 5hp, and 6hp types]

Fig. 4 Fan Controller Mounting Details

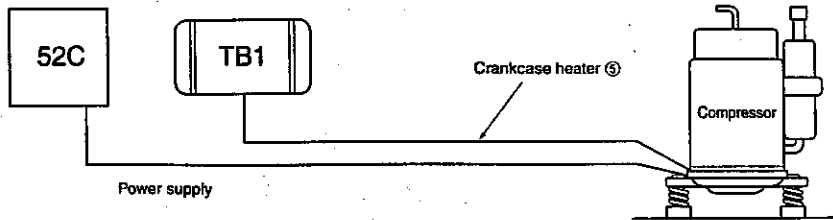


3. Test Run

- Set the operation changeover switch of the remote controller to "Cool" and run the air conditioner. If the room temperature is low, set the test run switch to "Test Run".
- Confirm that the outdoor fan unit rotates at low speed upon startup and that the rotation speed becomes higher gradually and then stabilizes (should start at low speed).

heater is constantly conducted.)

Fig. 6



Attachment of the Thermistor

Follow the procedure of Fig. 8 to fix thermistor (3) securely to the position shown in Fig. 7.

Fig. 7 Thermistor Mounting Position

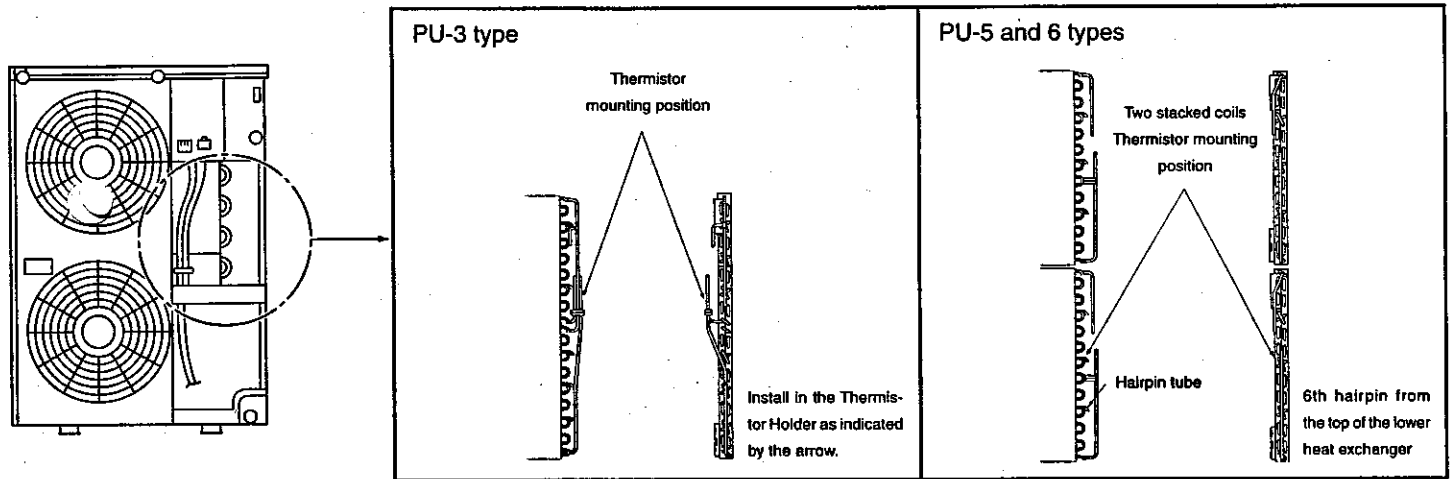
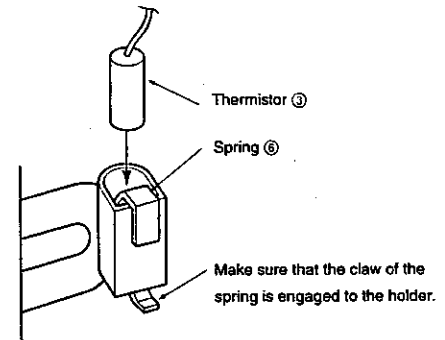
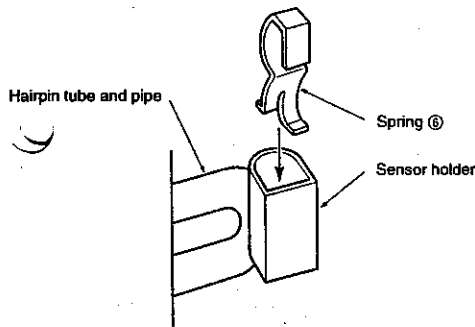


Fig. 8 Thermistor Holder Fixing Method

1) Insert spring (6) into the sensor holder attached to the hairpin tube and pipe.

2) Push thermistor (3) properly into the sensor holder, with spring (6) fitted, until thermistor (3) stops.



- 1) Use band (7) to fix the lead wires of the thermistor appropriately and without slack to the outdoor unit. (Do not fix the lead wires to the copper tubing since this tubing will become hot.)
- 2) Bind the excess lead wire inside the control box with band (7).
- 3) Attach wiring nameplate (8), for notification of change of wiring, to a location near the standard electric wiring diagram at the rear side of the service panel.
- 4) The mounting of the fan controller is completed with the above. Reassemble the control box, top panel, and service panel back to their original conditions.

the remote controller to the test run position. (Turn on the main power and press the test run button twice.)
e in about 5 minutes). The rotation speed may fluctuate slightly during the first 3 minutes after startup.