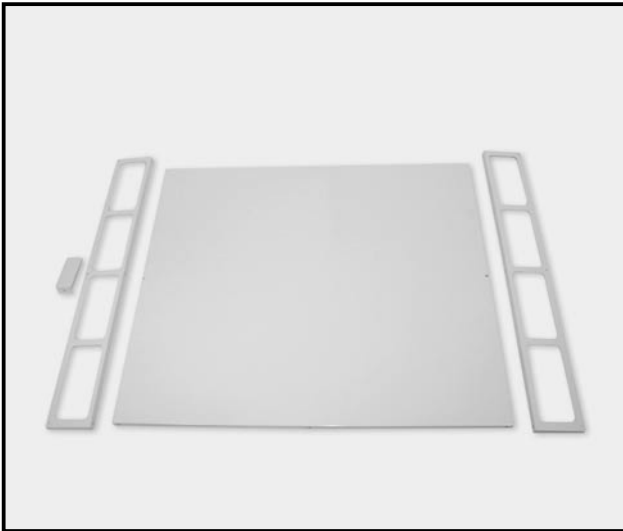




Photo



Descriptions

Enables operation even when the outside temperature is low. Protect the unit from cold wind.

Applicable Models

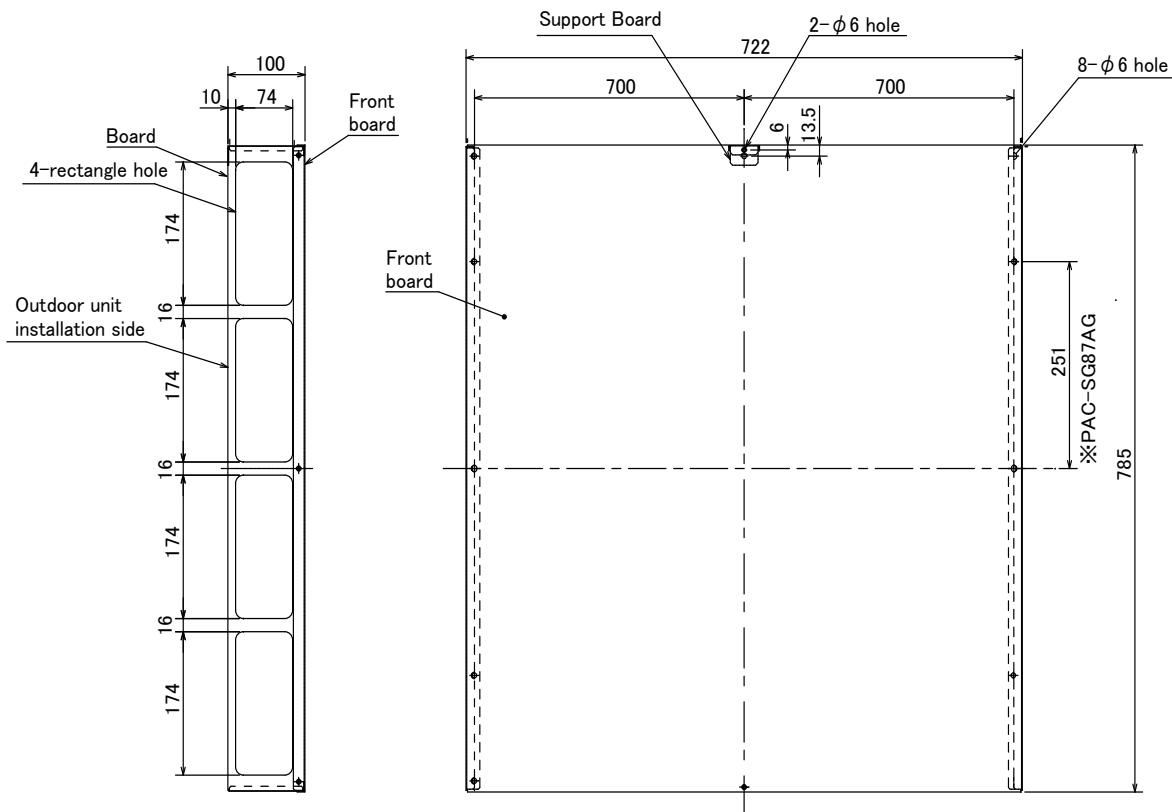
■ PUHZ-RP200/250

Specifications

Exterior	Color (Munsell)	Ivory (3.0Y 7.8/1.1)
	Surface treatment	Acrylic resin coating
	Material	Alloy hot-dip zinc-coated carbon steel sheet
Weight		5.5kg
Accessory name x Qty. <Material/Surface treatment>		Washer faced screw (M5x10) x 12 <Iron wire (SWCH18A)/Zinc nickel plated>

Dimensions

Unit : mm



CAUTION

* Air Guide prevents reverse rotation of outdoor unit fan when it enters low speed rotation mode with fan controller being operated. It is also used for protection of fan when strong winds, such as a typhoon, wind blowing through tall buildings, etc., directly strike the air outlet. In addition, installation of this product is necessary when cooling operation is to be performed in outdoor temperature of -5°C or lower (down to -15°C).

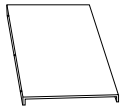

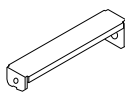
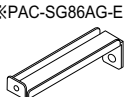


Note the followings when installing this guide:

- 1) Be sure not to use "upward discharge" in a place where snowing is possible. Snow may accumulate in the guard, which could damage the fan, etc.
- 2) Attaching this unit will decrease the performance (by 2-3%) and increase noise from outdoor unit (by approx. 1-2 dB).
- 3) Do not use "upward discharge" when there are any obstacles at the back and on both sides of outdoor unit (air is taken in from top of unit): This could cause a short cycle.
- 4) To eliminate the influence of external wind, be sure to install the unit with its back facing to wall.
- 5) Do not install this unit in a place where wind directly blows to the back of the unit.

How to Use / How to Install

1 Checking parts

Make sure that you have all the following parts, in addition to this manual in this box:

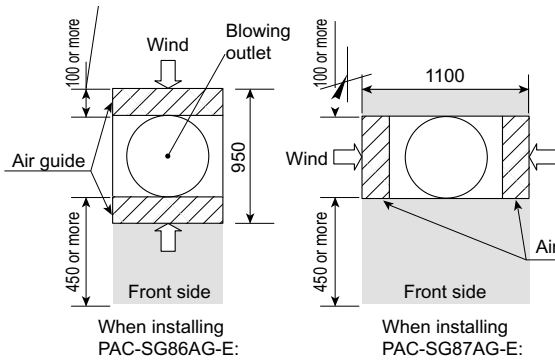
① Front plate	x 1	② Side plate	x 2	③ Support	x 1	④ Support	x 1	⑤ Setscrew 5 x 16	x 16	⑥ Washer	x 8
							※PAC-SG86AG-E only				

2 Requirements of space for installation

(Unit: mm) ※The following figures show the view from the top.

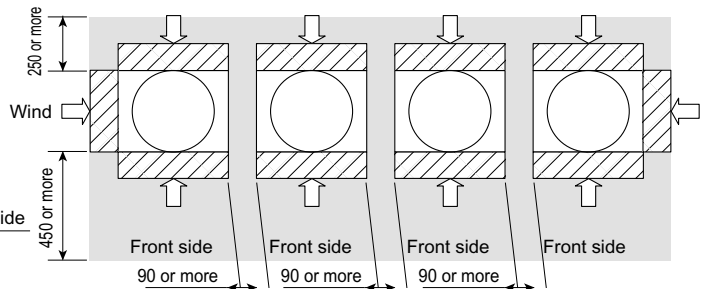
(1) One unit installation (circumference not blocked)

Install the Air guide according to the orientation of where wind strikes the unit.



(2) Multiple unit installation (circumference not blocked)

Install the Air guide according to the orientation of where wind strikes the unit.



※If there is any obstacle above the unit or if the outdoor unit is surrounded by walls, refer to the manual attached to the outdoor unit.

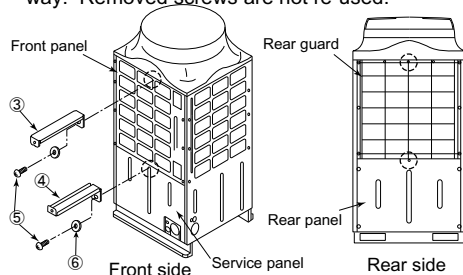
3 Installation procedure

For PAC-SG86AG-E and PAC-SG87AG-E, installation position for the outdoor unit is different.

Make sure before installation: The following figures show the example of installation on the front and right sides; perform installation on the rear or left side in the same way.

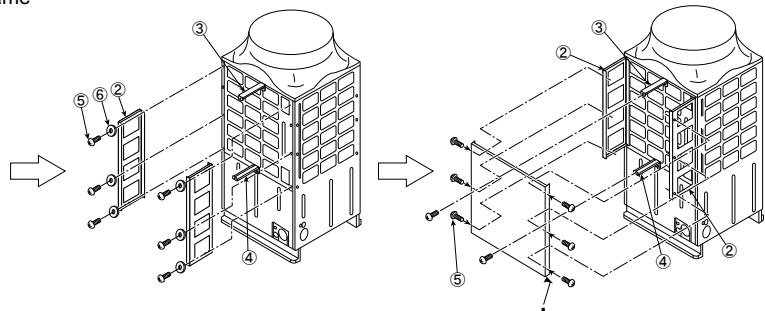
【For PAC-SG86AG-E】

(1) Remove screws (shown by dotted circles) from front panel/service panel, and install supports ③ and ④ using screws ⑤ (one screw for each) and washers ⑥ (one washer for each) on outdoor unit. When the Air guide is to be installed on rear side, remove screws (shown by dotted circles) from rear guard/rear panel, and install supports in the same way. Removed screws are not re-used.



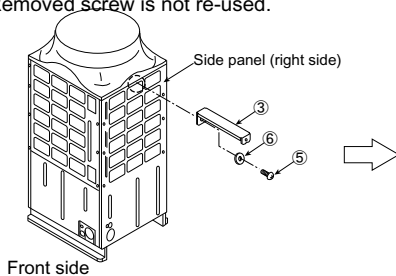
(2) Install two side plates ② using washers ⑥ (3 washers for each) screws ⑤ (3 screws for each) on the outdoor unit.

(3) Install front plate ① on side plates ② and supports ③ and ④, using eight screws ⑤.



【For PAC-SG87AG-E】

(1) Remove screw (shown by dotted circles) from side panel, and install support ③ on outdoor unit, using one washer ⑥ and one screw ⑤. Removed screw is not re-used.



(2) Install two side plates ② using washers ⑥ (3 washers for each) screws ⑤ (3 screws for each) on the outdoor unit.

(3) Install front plate ① on side panel ② and support ③, using seven screws ⑤.

