



## Photo



## Descriptions

Removes minute dirt particles in the refrigerant pipe, when replacing an air-conditioning unit. (for Liquid Pipe of  $\Phi$ 9.52)

## Applicable Models

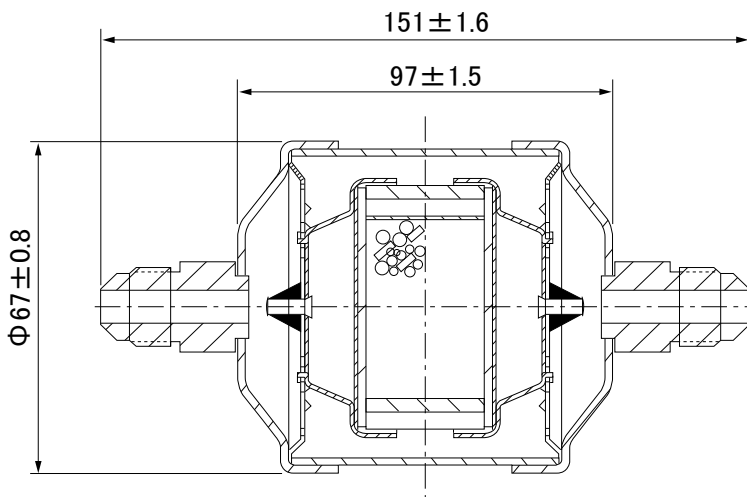
- PUAZ-RP60      ■ MXZ-8A140VA
- PUAZ-RP71
- PUAZ-RP100
- PUAZ-RP125
- PUAZ-RP140

## Specifications

Pipe size	Liquid side: $\Phi$ 9.52 flare
Applicable refrigerant	R407C / R410A

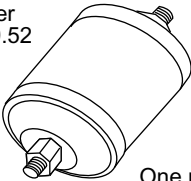
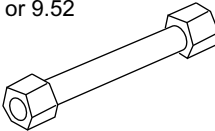
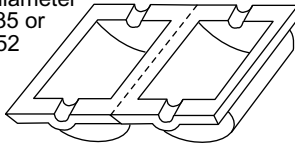
## Dimensions

Unit : mm



# How to Use / How to Install

Make sure that you have all the following parts.

① Filter dryer PAC-SG81DR-E (for diameter of 6.35) PAC-SG82DR-E (for diameter of 9.52)	② Connection pipe PAC-SG81DR-E (for diameter of 6.35) PAC-SG82DR-E (for diameter of 9.52)	③ Heat insulator PAC-SG81DR-E (for diameter of 6.35) PAC-SG82DR-E (for diameter of 9.52)
For diameter of 6.35 or 9.52  One piece	For diameter of 6.35 or 9.52  One piece	For diameter of 6.35 or 9.52  One piece

## Installation Procedures (carefully read the following before installation.)

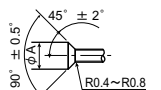

- Cautions:**
- 1) This optional part is used to remove moisture within refrigerant pipe to prevent compressor failures. However, if too much impurity inside refrigerant cycle has accumulated, such as amount of mixed moisture, dryer must be replaced after one season elapses. (Amount of allowable moisture absorption: 3 - 7 cc)
  - 2) Install the filter dryer to refrigerant pipe mid way on liquid side.
  - 3) Filter dryer can be installed outside of the unit. Installation inside the unit is possible only when installation space can be secured.

## 1 Preparation for installation

In the following parts, the installation for PUAZ-RP3VHA is highlighted as a representative.

- 1) Refer to the installation manual of the unit for procedure of refrigerant piping and vacuuming, etc. Remove the panel from outdoor unit. (See Fig. 1.)
- 2) Removing the panel  
Remove the service panel, front pipe cover and back pipe cover.
- 3) Pipe connection
  - When bending pipe, take bending R (R100~R150) just enough, and take care that pipe does not fold.
  - Apply pipe processing without touching compressor. (If the pipe touches, it may cause abnormal sound or vibration.)
  - Apply flare processing to connection pipe, arranging this on site.
  - Thinly apply refrigerator oil (locally procured) to flare sheet surface.

Outer diameter of copper pipe (mm)	Processing size of flare section (mm)
$\phi 6.35$	8.7~9.1
$\phi 9.52$	12.8~13.2

Flare shape	Refrigerator oil application point
	Apply refrigerator oil to entire circumference of flare sheet surface. 

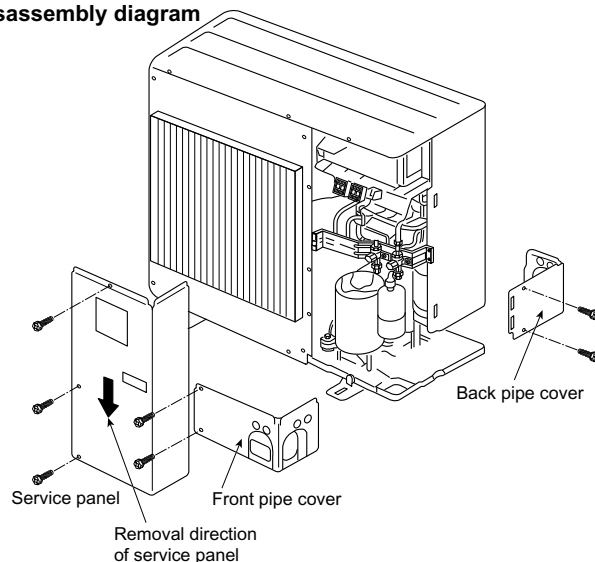
⟨Proper tightening torque using torque wrench⟩

Outer diameter of copper pipe (mm)	Tightening torque N·m (kgf·cm)
$\phi 6.35$	14~18 (140~180)
$\phi 9.52$	34~42 (340~420)

Pipe diameter (mm)	B size (mm)	
	R410A flare tool	R22, R407C flare tool
	Clutch type	
$\phi 6.35 (1/4")$	0~0.5	1.0~1.5
$\phi 9.52 (3/8")$	0~0.5	1.0~1.5

※When flare processing for refrigerant R410A is applied using current tool, refer to the table above. B size can be secured using copper pipe gauge for margin adjustment.

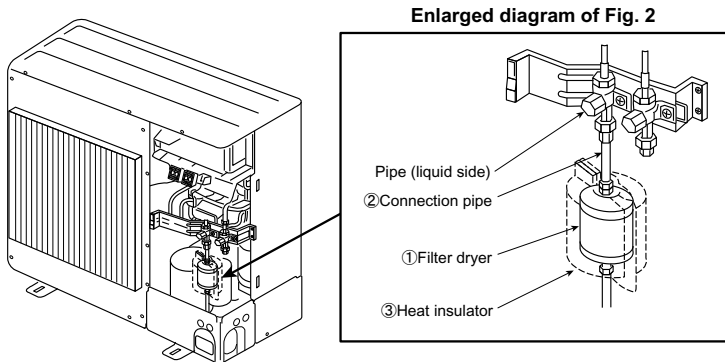
**【Fig. 1】 Panel disassembly diagram**



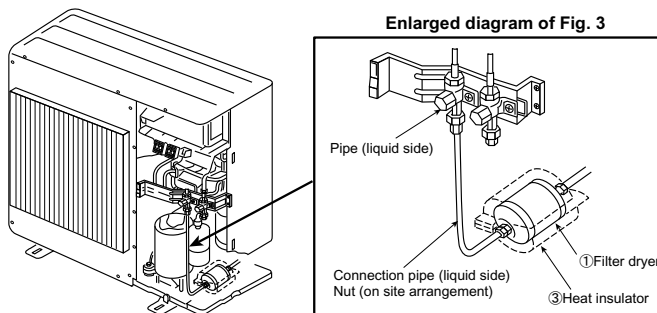
**2 Installation of Filter dryer** Be sure to install filter dryer on liquid side (narrow side).

- 1) When filter dryer is being installed inside the unit, refer to Figs 2 and 3, according to the installation space for dryer. If installation space for dryer cannot be secured, install it outside of the unit. Install referring to Item 2-ii).

**【Fig. 2】**  
Filter dryer installation diagram (Installation inside the unit)

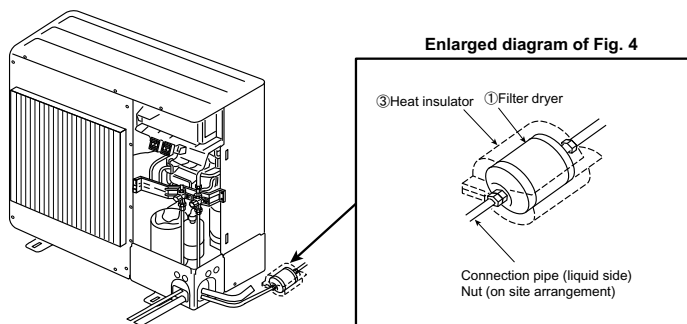


**【Fig. 3】**  
Filter dryer installation diagram (horizontal installation inside the unit)



- 2) When installing outside of the unit, install it at optional position of extension pipe. Make and arrange connection pipe on the site. (See Fig. 4.)

**【Fig. 4】**  
Filter dryer installation diagram (Installation outside of the unit)



- 3) Perform heat insulation work. (To prevent dewdrops forming)
  - After dryer is installed, wrap heat insulator around dryer section.
  - ※Apply taping to joint of heat insulator ensuring that there is no gap. Also wrap heat insulator around pipe.

**3 Filter dryer installation is now complete. Reattach service panel as it was.**

**4 Test run**

- 1) Perform test run according to the installation manual of the unit, and be sure to perform gas leak check and operation check.