



Photo



Descriptions

Raises drain generated during unit's operation to secure the appropriate angle of the drain pipe.

Applicable Models

- PEAD-RP EA
- PEAD-RP GA
- PEHD-P EA

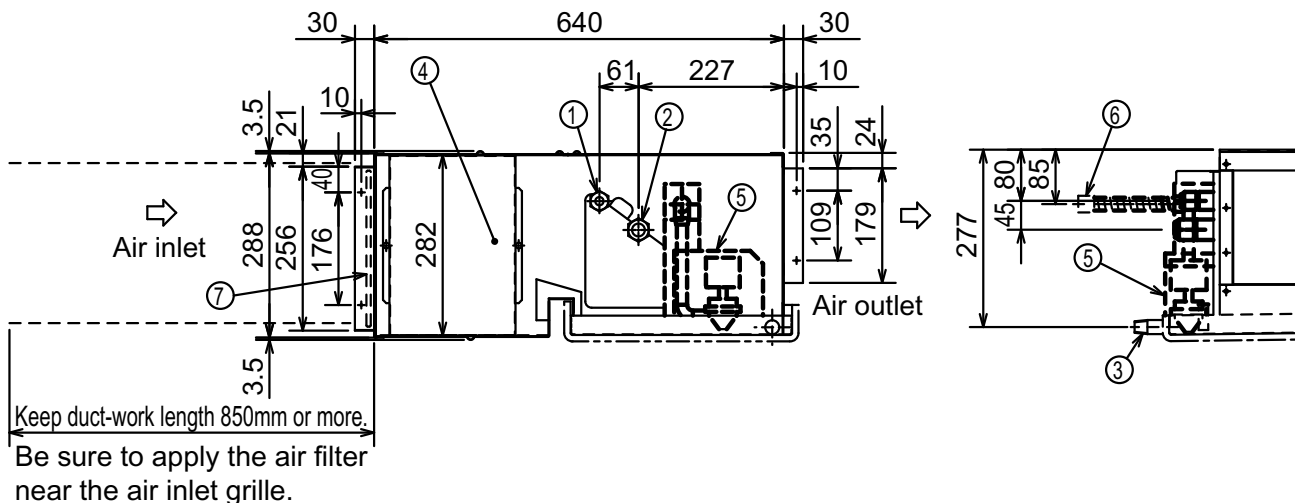
Specifications

TO BE CONFIRMED

Dimensions

Unit : mm

In case of rear inlet



- ① Refrigerant piping flare connection (liquid Φ F copper tube):HP
- ② Refrigerant piping flare connection (gas Φ G copper tube):LP
- ③ Drain R1(External thread)
- ④ Electrical parts box
- ⑤ Drain Pump (Option)
- ⑥ Drain Pipe (Option) ... Flexible joint VP-25(I.D. Φ 32)) Set
- ⑦ Filter

How to Use / How to Install

TO BE CONFIRMED