



PLATINUM CATALYST DEODORIZING FILTER MAC-307FT-E

Photo



Descriptions

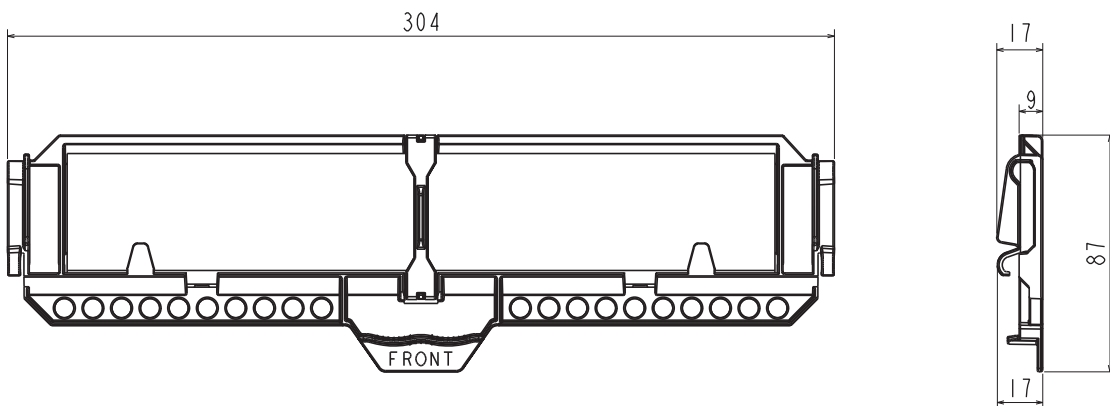
Minimum holes as small as 1 nanometer on a surface of approximately 3,000m² capture small foul-smelling substances in the air, then break down the source of the odors with the power of the ozone generated in a plasma electrode unit and the platinum catalyst contained in the filter.

Applicable Models

- MSZ-FD25VA(S)
- MSZ-FD35VA(S)
- MSZ-FD50VA(S)

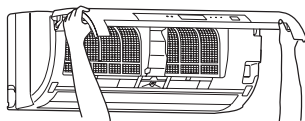
Dimensions

Unit : mm

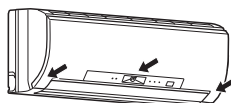


How to Use / How to Install

Front panel



1. Lift the front panel until a "click" is heard.
2. (1) Remove the air filter.
(2) Remove the deodorizing filter.
(3) Install a new deodorizing filter.
(4) Install the air filter.
3. Close the front panel securely and press the positions indicated by the arrows.



Every 3 months:

- Remove dirt by a vacuum cleaner, or soak the filter in lukewarm water (30 to 40°C) for about 15 minutes. Rinse well.
- After washing, dry it well in shade and put it back to its original position.
- Deodorizing feature recovers by cleaning the filter.

When dirt or smell cannot be removed by cleaning:

- Replace it with a new air cleaning filter.

OPTIONAL PARTS