

About replacement of the microSD card installed on the EB-50GU-A and the EB-50GU-J.

*Hereinafter, EB-50GU-A and EB-50GU-J, unless otherwise specified, will be called "EB-50."

1. Notes on the microSD card installed on the EB-50

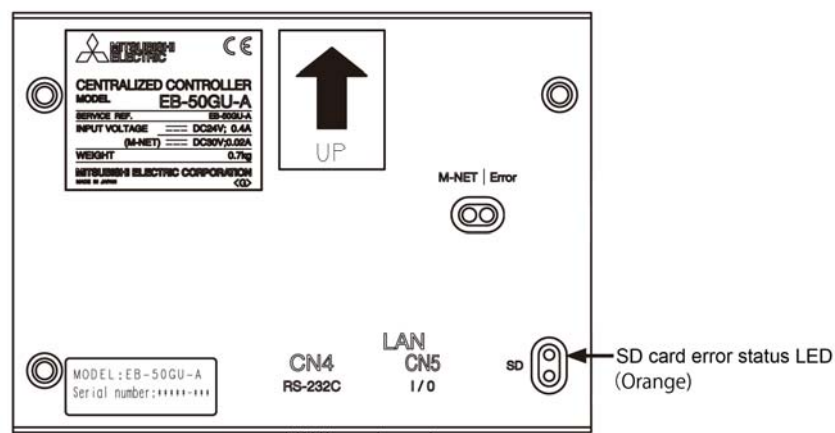
- The microSD card installed on the EB-50 has been set up at the factory. Do not use other microSD cards as proper function cannot be guaranteed.
- The microSD card installed on the EB-50 differs from the ones sold on the market.
- The EB-50 will not start up if the microSD card does not function properly or is not installed.
- Only the microSD card that has been formatted on EB-50 can be used.
- Do not use the microSD card installed on the EB-50 for any other equipment.

2. Precautions for the replacement of microSD card

- Because of the characteristics of the microSD card, the read/write performance may degrade over time. It is recommended to replace the microSD card with our microSD card (available as service parts) every 10 years, even if it is not damaged.
- If the microSD card becomes damaged, the EB-50 settings data and energy management data will be lost. It is recommended to back up these data periodically.
The EB-50 settings data can be exported to an HDD or a USB memory as a backup: the settings data that have been made from the Web Browser, and these data can be restored to the EB-50. (Refer to chapter 9 "Utility" in the Instruction Book (Web Browser for Initial Settings) for details.) The energy management data can only be output in a CSV file, and these data cannot be restored to the EB-50. (Refer to chapter 9 "Maintenance" in the Instruction Book (Web Browser for System Maintenance Engineer) for details.)
- Only a qualified technician should insert or remove the microSD card.
- Before inserting or removing the microSD card, turn off the power to the EB-50.

3. microSD card problems

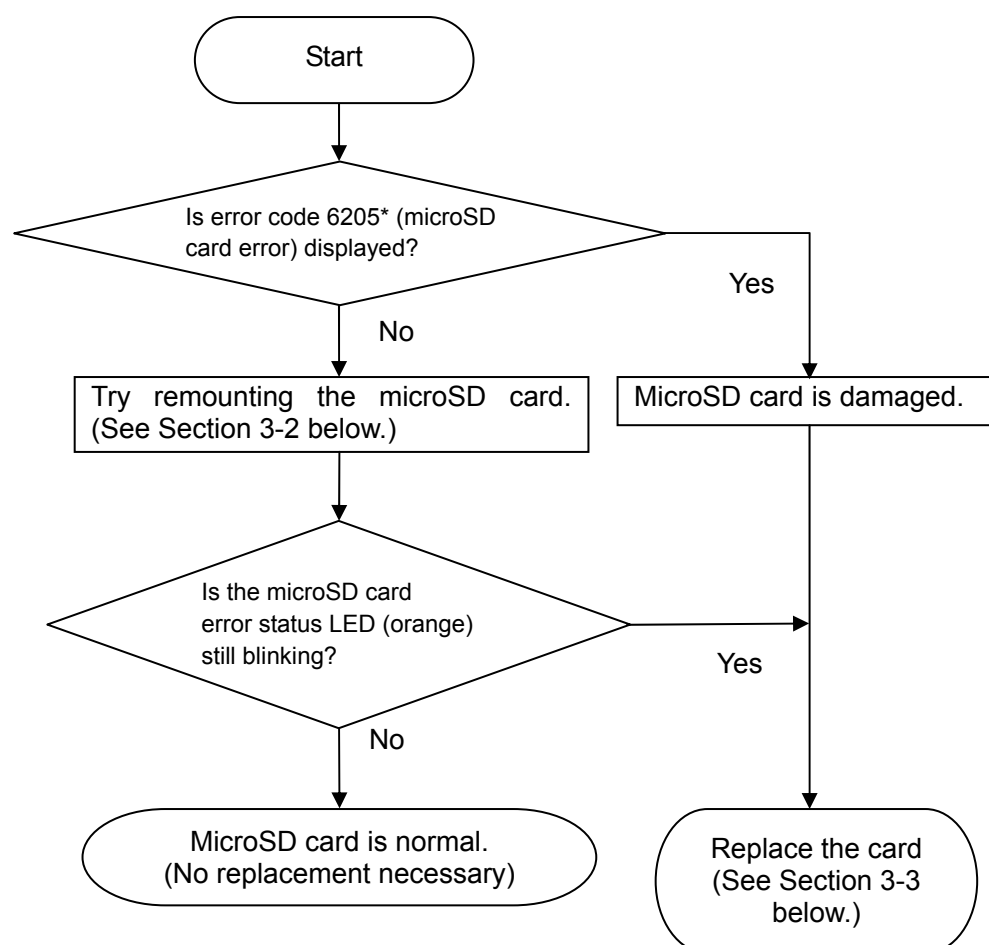
If the SD card error status LED (see figure below and Chapter 8-2 Service LEDs in the Installation and Instruction Manual) is blinking, there may be problems with the microSD card.



LED	Item	Color	Status	
SD	SD card error status	Orange	Blink	The SD card may be damaged.
			Unlit	Normal

3-1. Troubleshooting workflow

Using the flowchart below, troubleshoot microSD problems, and replace the microSD card as necessary according to the replacement procedures outlined in section 3-3 Replacement procedures.



*Refer to Section 7. Malfunction Log in the Instruction Book (–Web Browser for System Maintenance Engineer–) for how to read the error codes.

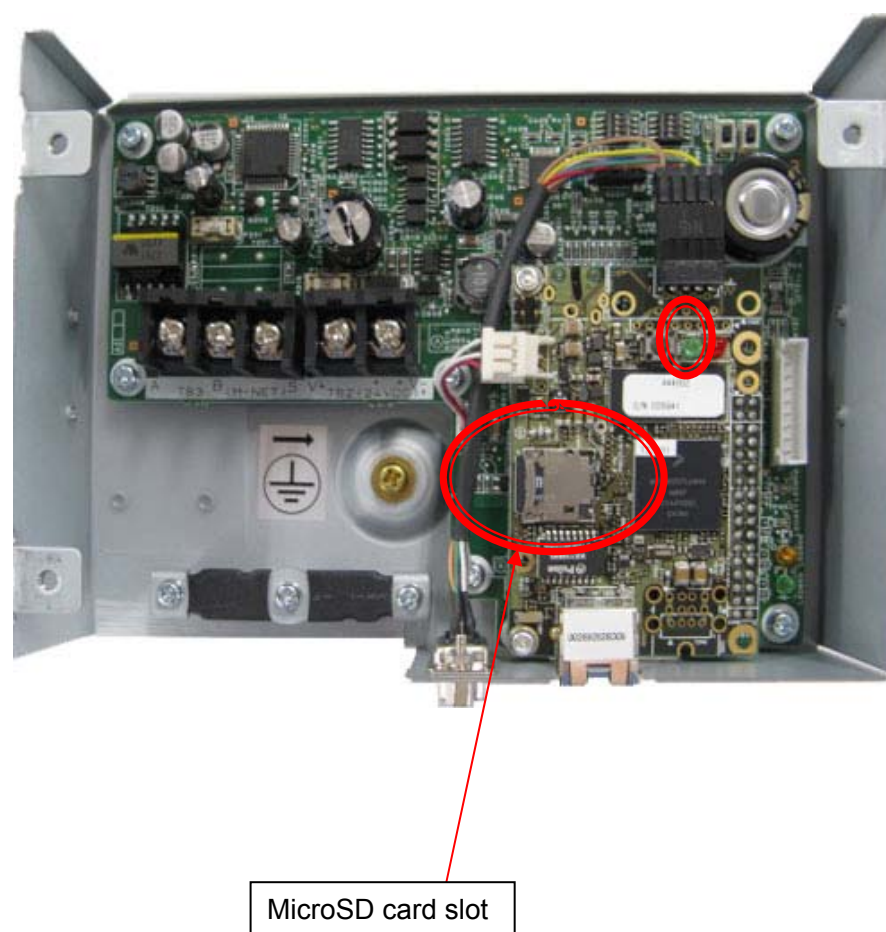
3-2. Remounting the microSD card

Although microSD cards are checked for proper mounting before shipment, they may come loose due to vibrations inflicted on the controller during transportation or installation.

Try unmounting (see 3-3-1) and remounting (see 3-3-2) the microSD card. Do not reformat the microSD card. (Ignore the procedures in Section 3-3-3.)

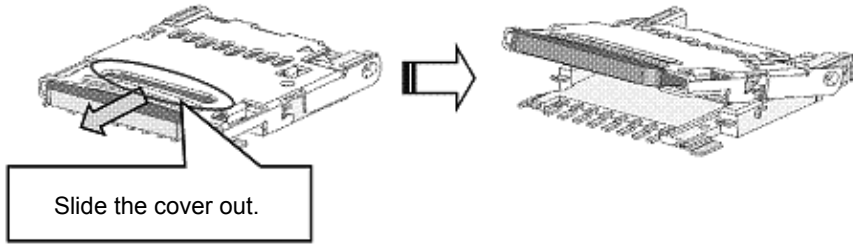
3-3. Replacement procedures

When the replacement of the microSD card is deemed necessary, replace the card by referring to Section 3-3-1 for how to unmount the microSD card and 3-3-2 for how to mount a new microSD card. After replacement, be sure to format the microSD card according to the procedures outlined in Section 3-3-3.

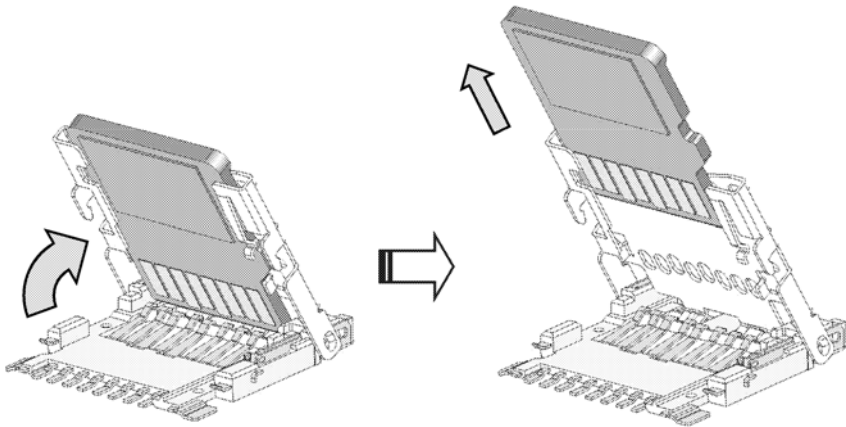


3-3-1. Unmounting the microSD card

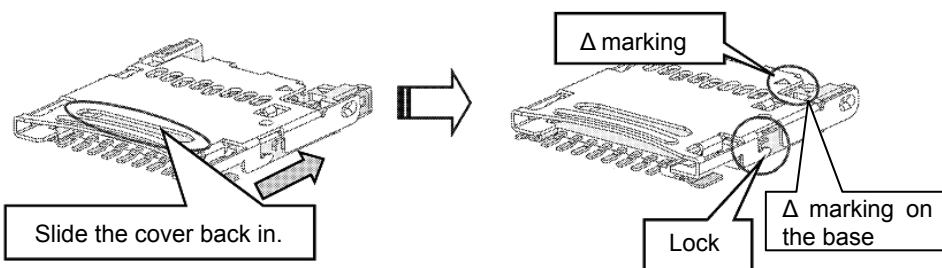
① Slide the cover out by placing a nail into the slot on the cover to unlock the locking mechanism. (This will spring the cover open.)



② Lift the cover up, and slide up the microSD card to remove it.

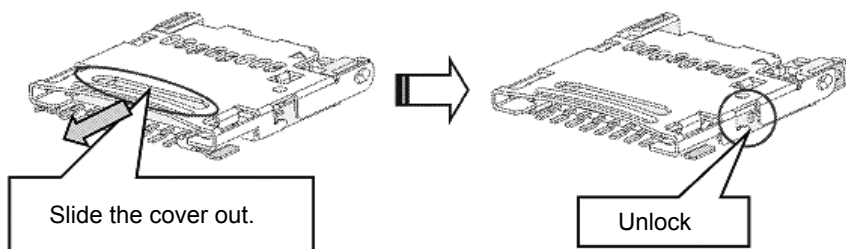


③ Close the cover, and slide the cover back in until the Δ on the cover and the Δ on the base are aligned to lock them in place.



3-3-2. Mounting the microSD card

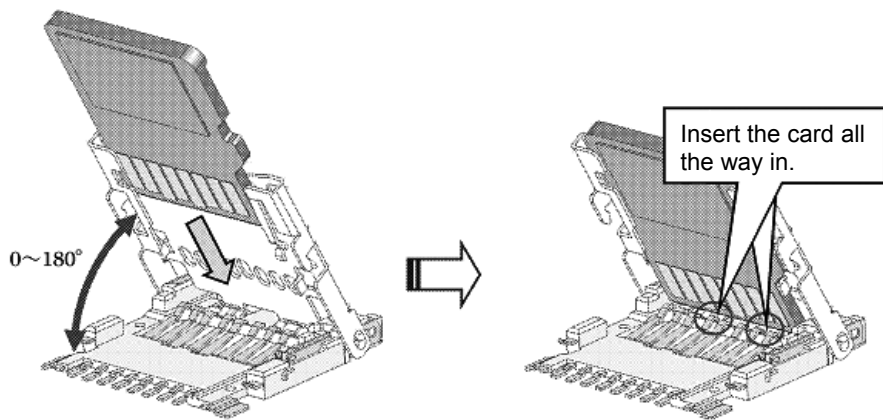
① Slide the cover out by placing a nail into the slot on the cover to unlock the locking mechanism.



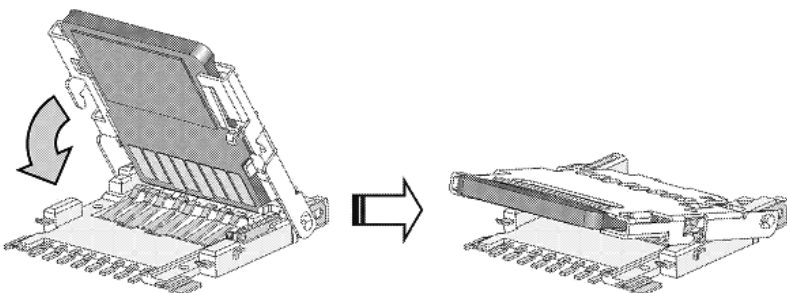
② Lift the cover up, and slide the microSD card in.

*Insert the microSD card in the correct direction.

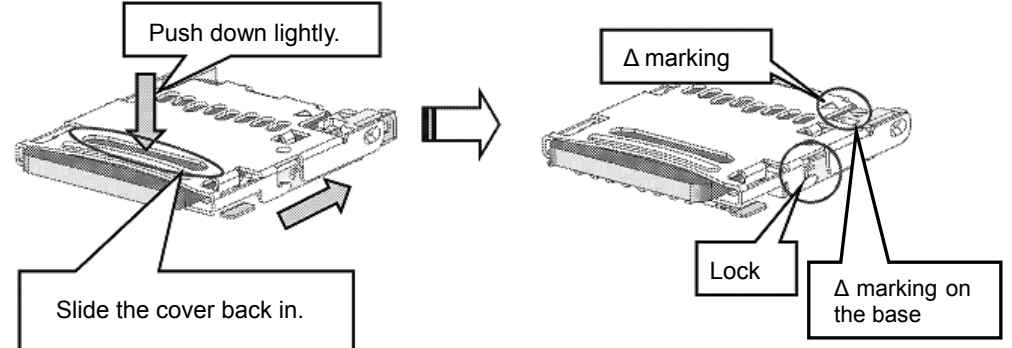
Make sure the microSD card is inserted all the way in to the end of the slot.



③ Close the cover halfway down. (The spring on the terminal will keep the cover slightly open.)

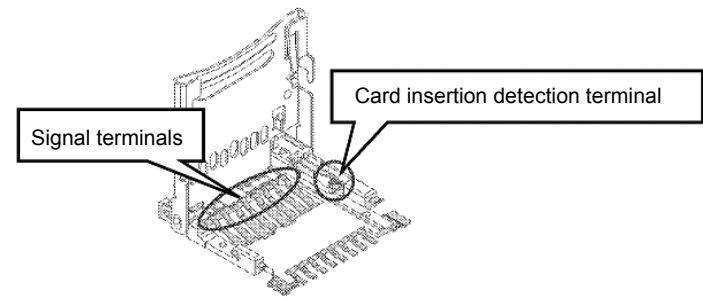


④ Close the cover all the way by lightly pushing the cover down with your finger. Slide the cover back in until the Δ on the cover and the Δ on the base are aligned to lock them in place.



*Caution

If the microSD card is not mounted correctly, the detection terminal will not properly recognize the microSD card. Then, the SD card status LED (orange) will blink, and EB-50 may not start up. When closing the cover in step 3. under 3-3-2 Mounting the microSD card, lock the locking mechanism with the cover being pulled out.



3-3-3. Formatting the microSD card

* Formatting will erase all data (initial settings, energy-control data, error history, and billing data) on the microSD card.

① Turn off the power to EB-50, and set SW852 as shown in the table below.

bit	1	2	3	4
Status	ON	OFF	OFF	OFF

② Press and hold SW853, and turn on EB-50 to start it up.

Keep SW853 held down (for approximately 1 minute) until LED3 (red) and LED4 (green) start blinking alternately.

③ LED3 and LED4 will both light off once, and then LED4 (green) will light up.

④ Turn off the power to EB-50.

⑤ Set SW852 as shown in the table below with the power being turned off.

bit	1	2	3	4
Status	OFF	OFF	OFF	OFF

⑥ Formatting is complete, and EB-50 is ready for booting.

Restore the settings data.

