

# Air to Water Heat Pump Тепловой насос с передачей тепла от воздуха к воде PUHZ-W • HA series / PUHZ-HW • HA series

## INSTALLATION MANUAL

**FOR INSTALLER**

For safe and correct use, read this manual and the indoor unit installation manual thoroughly before installing the outdoor unit. English is original. The other languages versions are translation of the original.

## INSTALLATIONSHANDBUCH

**FÜR INSTALLATEURE**

Aus Sicherheitsgründen und zur richtigen Verwendung vor der Installation der Außenanlage das vorliegende Handbuch und die Installationsanleitung der Innenanlage gründlich durchlesen. Das Original ist in Englisch. Die anderen Sprachversionen sind vom Original übersetzt.

## MANUEL D'INSTALLATION

**POUR L'INSTALLATEUR**

Avant d'installer l'appareil extérieur, lire attentivement ce manuel, ainsi que le manuel d'installation de l'appareil intérieur pour une utilisation sûre et correcte. L'anglais est l'original. Les versions fournies dans d'autres langues sont des traductions de l'original.

## INSTALLATIEHANDLEIDING

**VOOR DE INSTALLATEUR**

Lees voor een veilig en juist gebruik deze handleiding en de installatiehandleiding van het binnenapparaat zorgvuldig door voordat u met het installeren van het buitenapparaat begint. Het Engels is het origineel. De andere taalversies zijn vertalingen van het origineel.

## MANUAL DE INSTALACIÓN

**PARA EL INSTALADOR**

Para un uso correcto y seguro, lea detalladamente este manual y el manual de instalación de la unidad interior antes de instalar la unidad exterior. El idioma original del documento es el inglés. Las versiones en los demás idiomas son traducciones del original.

## MANUALE DI INSTALLAZIONE

**PER L'INSTALLATORE**

Per un uso sicuro e corretto, leggere attentamente il presente manuale ed il manuale d'installazione dell'unità interna prima di installare l'unità esterna. Il testo originale è redatto in lingua Inglese. Le altre versioni linguistiche rappresentano traduzioni dell'originale.

## ΕΓΧΕΙΡΙΔΙΟ ΟΔΗΓΙΩΝ ΕΓΚΑΤΑΣΤΑΣΗΣ

**ΓΙΑ ΑΥΤΟΝ ΠΟΥ ΚΑΝΕΙ ΤΗΝ ΕΓΚΑΤΑΣΤΑΣΗ**

Για σωστή και ασφαλή χρήση, διαβάστε προσεκτικά αυτό το εγχειρίδιο καθώς και το εγχειρίδιο εγκατάστασης της εσωτερικής μονάδας, προτού εγκαταστήσετε την εξωτερική μονάδα. Η γλώσσα του πρωτοτύπου είναι η αγγλική. Οι εκδόσεις άλλων γλωσσών είναι μεταφράσεις του πρωτοτύπου.

## MANUAL DE INSTALAÇÃO

**PARA O INSTALADOR**

Para uma utilização segura e correcta, leia atentamente este manual e o manual de instalação da unidade interior antes de instalar a unidade exterior. O idioma original é o inglês. As versões em outros idiomas são traduções do idioma original.

## INSTALLATIONSMANUAL

**TIL INSTALLATØREN**

Læs af sikkerhedshensyn denne manual samt manualen til installation af indendørsenheden grundigt, før du installerer udendørsenheden. Engelsk er originalsproget. De andre sprogversioner er oversættelser af originalen.

## INSTALLATIONSMANUAL

**FÖR INSTALLATÖREN**

Läs bruksanvisningen och inomhusenhetens installationshandbok noga innan du installerar utomhusenhet för säker och korrekt användning. Engelska är originalspråket. De övriga språkversionerna är översättningar av originalet.

## MONTAJ ELKİTABI

**MONTÖR İÇİN**

Emniyetli ve doğru kullanım için, dış üniteyi monte etmeden önce bu kılavuzu ve iç ünite montaj kılavuzunu tamamiyla okuyun. Aslı İngilizce'dir. Diğer dillerdeki sürümler aslının çevirisidir.

## РУКОВОДСТВО ПО УСТАНОВКЕ

**ДЛЯ УСТАНОВИТЕЛЯ**

Для обеспечения безопасной и надлежащей эксплуатации внимательно прочтите данное руководство и руководство по установке внутреннего прибора перед установкой наружного прибора. Языком оригинала является английский. Версии на других языках являются переводом оригинала.

## INSTALLASJONSHÅNDBOK

**FOR MONTØR**

For å sikre trygg og riktig bruk skal denne håndboken samt installasjonshåndboken for innendørsenheten leses grundig igjennom før enheten installeres. Engelsk er originalspråket. De andre språkversjonene er oversettelser av originalen.

## ASENNUSOPAS

**ASENTAJALLE**

Turvallisen ja asianmukaisen käytön varmistamiseksi lue tämä opas sekä sisäyksikön asennusopas huolellisesti ennen ulkoyksikön asentamista. Alkuperäiskieli on englanti. Muut kieliversiot ovat alkuperäisen käännöksiä.

## NÁVOD K MONTÁŽI

**PRO MONTÉRA**

Kvůli zajištění bezpečného a správného používání si před montáží vnější jednotky pečlivě přečtěte tento návod i návod k montáži vnitřní jednotky. Verze v angličtině je originál. Ostatní jazykové verze jsou překladem originálu.

## INSTRUKCJA MONTAŻU

**DLA INSTALATORA**

Aby zapewnić bezpieczne i prawidłowe korzystanie z urządzenia, przed montażem jednostki zewnętrznej należy dokładnie zapoznać się z treścią niniejszej instrukcji oraz instrukcji montażu jednostki wewnętrznej. Originalną instrukcję sporządzono w języku angielskim. Pozostałe wersje językowe zostały przetłumaczone z oryginału.

## РЪКОВОДСТВО ЗА МОНТАЖ

**ЗА ИНСТАЛАТОРА**

За безопасно и правилно използване, прочетете внимателно това ръководство и ръководството за монтаж на вътрешното тяло, преди да монтирате външното тяло. Версията на английски език е оригинал. Версията на други езици са превод от оригинала.

English

Deutsch

Français

Nederlands

Español

Italiano

Ελληνικά

Português

Dansk

Svenska

Türkçe

Русский

Norsk

Suomi

Čeština

Polski

Български

# Contents

1. Safety precautions	2	7. Test run	7
2. Installation location	3	8. Special functions	7
3. Installation procedures	4	9. System control	7
4. Drainage piping work	5	10. Specifications	7
5. Water piping work	5	11. Serial number	8
6. Electrical work	5		



**Note: This symbol mark is for EU countries only.**

**This symbol mark is according to the directive 2012/19/EU Article 14 Information for users and Annex IX.**

Your MITSUBISHI ELECTRIC product is designed and manufactured with high quality materials and components which can be recycled and reused.

This symbol means that electrical and electronic equipment, at their end-of-life, should be disposed of separately from your household waste.

Please, dispose of this equipment at your local community waste collection/recycling centre.

In the European Union there are separate collection systems for used electrical and electronic product.

Please, help us to conserve the environment we live in!

**⚠ Caution:**

- Do not vent R410A into the Atmosphere:

## 1. Safety precautions

▶ Before installing the unit, make sure you read all the "Safety precautions".

**⚠ Warning:**

Precautions that must be observed to prevent injuries or death.

**⚠ Caution:**

Precautions that must be observed to prevent damages to the unit.

**⚠ Warning:**

- The unit must not be installed by the user. Ask an installer or an authorized technician to install the unit. If the unit is installed improperly, water leakage, electric shock, or fire may be caused.
- The unit must be installed according to the instructions in order to minimize the risk of damages by earthquakes, typhoons, or strong winds. An improperly installed unit may fall down and cause damages or injuries.
- The unit must be securely installed on a structure that can sustain its weight. If the unit is mounted on an unstable structure, it may fall down and cause damages or injuries.
- If the air to water heat pump is installed in an enclosed area, measures must be taken to prevent the refrigerant concentration in the room in the event of refrigerant leakage. Consult an installer regarding the appropriate measures. Should the refrigerant leak and cause the concentration oxygen in the room may lack.
- All electric work must be performed by a qualified technician according to local regulations and the instructions given in this manual. The units must be powered by dedicated power lines and the correct voltage and circuit breakers must be used. Power lines with insufficient capacity or incorrect electrical work may result in electric shock or fire.
- Use only specified cables for wiring. The wiring connections must be made securely with no tension applied on the terminal connections. Also, never splice the cables for wiring (unless otherwise indicated in this document). Failure to observe these instructions may result in overheating or a fire.
- Terminal block cover panel of the outdoor unit must be firmly fixed. If the cover panel is mounted improperly, dust and moisture may enter the unit, and it may cause electric shock or fire.
- When installing or moving the air to water heat pump, make sure to use the specified refrigerant (R410A) to charge the refrigerant lines. Do not either mix it with any other refrigerant or allow air to remain within the pipes. Air enclosed in the pipes can cause pressure peaks resulting in a rupture and other hazards.
- Make sure to use accessories authorized by Mitsubishi Electric and ask an installer or an authorized technician to install them. If accessories are improperly installed, it may cause water leakage, electric shock, or fire.

After installation, perform the test run to ensure normal operation. Then explain to your customer the "Safety Precautions," use, and maintenance of the unit based on the information in the Operation Manual. Both the Installation Manual and the Operation Manual must be given to the user. These manuals must always be kept by the actual users.

⚡: Indicates a part which must be grounded.

**⚠ Warning:**

Carefully read the labels attached to the unit.

- Do not remodel the unit. Consult an installer for repairs. If alterations or repairs are not performed correctly, it may cause water leakage, electric shock, or fire.
- The user should never attempt to repair the unit or transfer it to another location. If the unit is installed improperly, it may cause water leakage, electric shock, or fire. If the air to water heat pump needs to be repaired or moved, ask an installer or an authorized technician.
- After installation has been completed, make sure that refrigerant does not leak. If refrigerant leaks into the room and comes into contact with the flame of a heater or portable cooking range, poisonous gases will be released.
- Use clean enough water which meets water quality standards. The deterioration of water quality may result in the system breakdown or the water leakage.
- Never use anything other than water as a medium. It may cause a fire or an explosion.
- Do not directly use heated or cooled water that is produced by the air to water heat pump as drinking and cooking water, or swimming pool. There is a risk to damage your health. There is also a risk that installing the water heat exchanger may corrode if the necessary water quality for the air to water heat pump system cannot be maintained. If you wish to use the heated or cooled water from the heat pump for these purposes, take measure such as to isolate the second heat exchanger within the water piping system.
- When installing or relocating, or servicing the air conditioner, use only the specified refrigerant (R410A) to charge the refrigerant lines. Do not mix it with any other refrigerant and do not allow air to remain in the lines. If air is mixed with the refrigerant, then it can be the cause of abnormal high pressure in the refrigerant line, and may result in an explosion and other hazards.

The use of any refrigerant other than that specified for the system will cause mechanical failure or system malfunction or unit breakdown. In the worst case, this could lead to a serious impediment to securing product safety.

### 1.1. Before installation

**⚠ Caution:**

- Do not use the unit in an unusual environment. If the air to water heat pump is installed exposed to steam, volatile oil (including machine oil), or sulfuric gas, or exposed to briny air, or covered with snow, the performance can be significantly reduced and the internal parts can be damaged.
- Do not install the unit where combustible gases may leak, be produced, flow, or accumulate. If combustible gas accumulates around the unit, it may cause fire or explosion.
- The outdoor unit produces condensate during the heating operation. Make sure to provide drainage around the outdoor unit if such condensate is likely to cause damage.

- When installing the unit in a hospital or in a building where communication equipment is installed, you may need to take measures to reduce noise and electronic interference. Inverters, home appliances, high-frequency medical equipment, and radio communications equipment can cause the air to water heat pump to malfunction or to breakdown. At the same time, the noise and electronic interference from the air to water heat pump unit may disturb the proper operation of medical equipment, and communications equipment.

# 1. Safety precautions

## 1.2. Before installation (relocation)

**⚠ Caution:**

- Be fully careful when moving the units. The unit must be carried by at least 2 people, as it weighs 20 kg or more. Do not hold the packaging bands. Wear protective gloves to unpack and to move or install it, in order to avoid your hands being injured by fins or the edge of other parts.
- Be sure to safely dispose of the packaging materials. Packaging materials, such as nails and other metal or wooden parts may cause injuries.
- The base of the outdoor unit must be periodically checked to ensure it is not loose, cracked or damaged. If such defects are left untreated, the unit may fall down and cause damage or injuries.
- Do not wash the air to water heat pump unit. You may receive an electric shock.

## 1.3. Before electric work

**⚠ Caution:**

- Be sure to install a circuit breaker. If it is not installed, there may be a risk of an electric shock.
- For the power lines, use standard cables of sufficient capacity. Otherwise, it may cause a short circuit, overheating, or fire.
- When installing the power lines, do not apply tension to the cables. The cables may be cut or overheated resulting in a fire.
- Make sure to ground the unit. Do not connect the ground wire to gas or water pipes, lightning rods, or telephone grounding lines. If the unit is not properly grounded, there may be a risk to get an electric shock.
- Make sure to use circuit breakers (ground fault interrupter, isolating switch (+B fuse), and molded case circuit breaker) with the specified capacity. If the circuit breaker capacity is larger than the specified capacity, breakdown or fire may result.

## 1.4. Before starting the test run

**⚠ Caution:**

- Turn on the main power switch more than 12 hours before starting operation. Starting operation immediately after turning on the power switch can severely damage the internal parts. Keep the main power switch turned on during the operating period.
- Before starting operation, check that all panels, guards and other protective parts are correctly installed. Make sure not to get injured by touching rotating, hot, or high voltage parts.
- Do not touch any switch with wet hands. There may be a risk of an electric shock.
- Do not touch the refrigerant pipes with bare hands while unit is running. The refrigerant pipes can be hot or cold depending on the condition of the flowing refrigerant. There may be a risk to get burn or frostbite.
- After stopping operation, make sure to wait at least five minutes before turning off the main power. Otherwise, it may cause water leakage or breakdown.

## 1.5. Using R410A refrigerant air to water heat pump

**⚠ Caution:**

- Use only R410A refrigerant. If another refrigerant is used, the chlorine will let the oil deteriorate.
- Use the following tools specifically designed for R410A refrigerant use. Contact your nearest installer for further details.
- Be sure to use the proper tools. If dust, debris, or moisture enters the refrigerant pipes, the refrigeration oil may deteriorate.
- Do not use a charging cylinder. If a charging cylinder is used, the composition of the refrigerant may change and the efficiency will be worsened.

Tools (for R410A)	
Gauge manifold	Charge hose
Gas leak detector	Vacuum pump adapter
Torque wrench	Electronic refrigerant charging scale

# 2. Installation location

(mm)

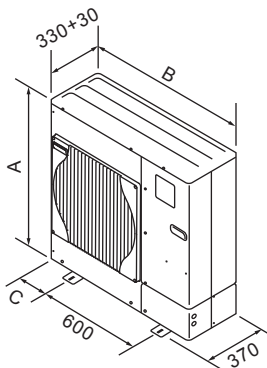


Fig. 2-1

Models	A (mm)	B (mm)	C (mm)
50	740	950	175
85	943	950	175
112	1350	1020	210
140	1350	1020	210

## 2.1. Choosing the outdoor unit installation location

- Avoid locations where the unit is exposed to direct sunlight or other sources of heat.
- Select a location where noise emitted by the unit does not disturb neighbors.
- Select a location where easy wiring and pipe access to the power source is available.
- Avoid locations where combustible gases may leak, be produced, flow, or accumulate.
- Note that condensate water may be produced by the unit during operation.
- Select a level location that can bear the weight and vibration of the unit.
- Avoid locations where the unit can be covered with snow. In areas where heavy snow fall is anticipated, special precautions must be taken to prevent the snow from blocking the air intake such as to install the unit at higher position or installing a hood on the air intake. This can reduce the airflow and the unit may not operate properly.
- Avoid locations where the unit is exposed to oil, steam, or sulfuric gas.
- Make sure to hold the handles to transport the unit. Do not hold the base of the unit, as there is a risk that hands or fingers may be pinched.

## 2.2. Outline dimensions (Outdoor unit) (Fig. 2-1)

## 2. Installation location

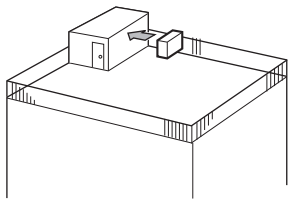


Fig. 2-2

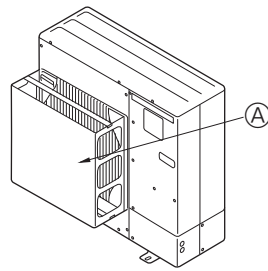


Fig. 2-3

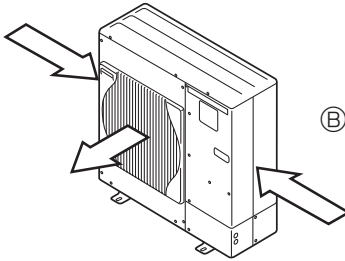


Fig. 2-4

### 2.3. Windy location installation

When installing the outdoor unit on a rooftop or other location where the unit is exposed to strong wind, do not face the air outlet of the unit directly into the winds. Strong wind entering the air outlet may impede the normal airflow and it may result in a malfunction.

The following shows three examples of precautions against strong winds.

- ① Face the air outlet towards the nearest available wall keeping about 50 cm distance. (Fig. 2-2)
- ② Install an optional air guide if the unit is installed in a location where strong winds such as a typhoon, etc. may directly blow to the air outlet. (Fig. 2-3)
  - Ⓐ Air guide
- ③ Position the unit so that the outlet air can blow at right angle to the seasonal wind direction, if possible. (Fig. 2-4)
  - Ⓑ Wind direction

### 2.4. NECESSARY SPACE TO INSTALL

**2.4.1. When installing a single outdoor unit (Refer to the last page)**  
Minimum dimensions are as follows, except for Max., meaning Maximum dimensions, indicated.

The figures in parentheses are for 112/140 models.

Refer to the figures for each case.

- ① Obstacles at rear only (Fig. 2-5)
- ② Obstacles at rear and above only (Fig. 2-6)
  - Do not install the optional air outlet guides for upward airflow.
- ③ Obstacles at rear and sides only (Fig. 2-7)
- ④ Obstacles at front only (Fig. 2-8)
  - \* When using an optional air outlet guide, the clearance for 112/140 models is 500 mm or more.
- ⑤ Obstacles at front and rear only (Fig. 2-9)
  - \* When using an optional air outlet guide, the clearance for 112/140 models is 500 mm or more.
- ⑥ Obstacles at rear, sides, and above only (Fig. 2-10)
  - Do not install the optional air outlet guides for upward airflow.

**2.4.2. When installing multiple outdoor units (Refer to the last page)**

Leave 10 mm space or more between the units.

The figures in parentheses are for 112/140 models.

Refer to the figures for each case.

- ① Obstacles at rear only (Fig. 2-11)
- ② Obstacles at rear and above only (Fig. 2-12)
  - No more than 3 units must be installed side by side. In addition, leave space as shown.
  - Do not install the optional air outlet guides for upward airflow.
- ③ Obstacles at front only (Fig. 2-13)
  - \* When using an optional air outlet guide, the clearance for 112/140 models is 1000 mm or more.
- ④ Obstacles at front and rear only (Fig. 2-14)
  - \* When using an optional air outlet guide, the clearance for 112/140 models is 1000 mm or more.
- ⑤ Single parallel unit arrangement (Fig. 2-15)
  - \* When using an optional air outlet guide installed for upward airflow, the clearance is 500 (1000) mm or more.
- ⑥ Multiple parallel unit arrangement (Fig. 2-16)
  - \* When using an optional air outlet guide installed for upward airflow, the clearance is 1000 (1500) mm or more.
- ⑦ Stacked unit arrangement (Fig. 2-17)
  - The units can be stacked up to 2 units high.
  - No more than 2 stacked units must be installed side by side. In addition, leave space as shown.

## 3. Installation procedures

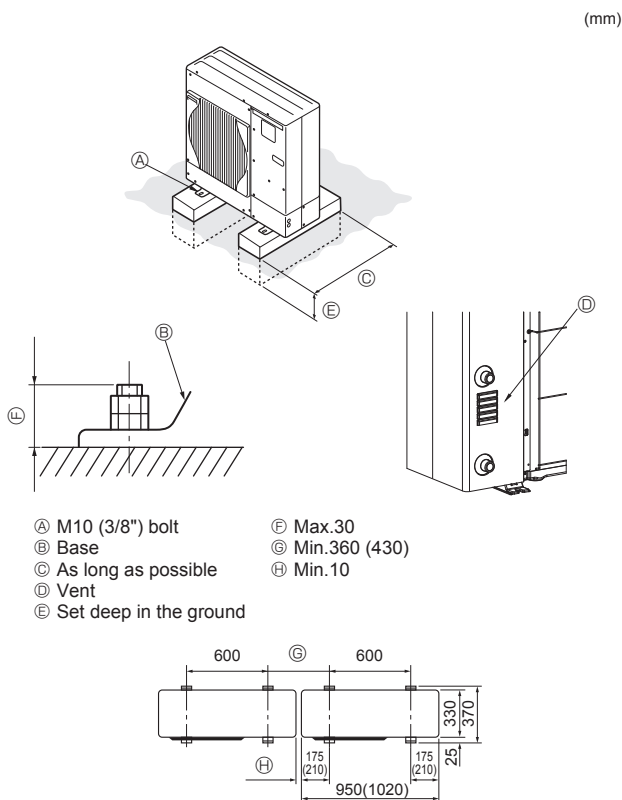


Fig. 3-1

- Be sure to install the unit in a solid, level surface to prevent rattling noises during operation. (Fig. 3-1)

<Foundation specifications>

Foundation bolt	M10 (3/8")
Thickness of concrete	120 mm
Length of bolt	70 mm
Weight-bearing capacity	320 kg

- Make sure that the length of the foundation bolt is within 30 mm from the surface of the base.
  - Secure the base of the unit firmly with 4 M10 foundation bolts in solid locations.
- Installing the outdoor unit**
- Do not block the vent. If the vent is blocked, operation will be hindered and the unit may breakdown.
  - If the additional fixation of the unit is necessary, use the installation holes on the back of the unit to attach wires, etc. with self-tapping screws (ø5 × 15 mm or less).

#### ⚠ Warning:

- The unit must be securely installed on a structure that can sustain its weight. If the unit is mounted on an unstable structure, it may fall down and cause damage or injuries.
- The unit must be installed according to the instructions in order to minimize the risk of damage by earthquakes, typhoons, or strong winds. An improperly installed unit may fall down and cause damage or injuries.

\* Figures in parentheses are for 112/140 unit types.

## 4. Drainage piping work

### Outdoor unit pipe connection

When drain piping is necessary, use the drain socket or the drain pan (option).

Optional parts name	Model name
Drain socket	PAC-SG61DS-E
Drain pan for 50/85	PAC-SG64DP-E

\*There is no optional drain pan for 112/140.

\*The drain socket is applicable only to W50, W85 and W112 and not compatible with HW112 and HW140.

## 5. Water piping work

### 5.1. Water piping connection (Fig. 5-1)

- Connect the water pipes to the outlet and inlet pipes.  
(Parallel male screw for 1-inch water pipe (ISO 228/1-G1B))
- Inlet and outlet pipes position is shown on the Fig. 5-1.
- Install the hydraulic filter at the water intake.
- Maximum allowable torque at the water piping connection is 50 N·m.
- Check if water leaks after installation.
- Inlet water gauge pressure must be between 0-0.3 MPa.
- Use the inlet water with a temperature lower than 55 °C.

#### Note :

- The water velocity in pipes should be kept within certain limits of material to avoid erosion, corrosion and excessive noise generation.  
Be aware, and take care of, that local velocities in small pipes, bends and similar obstructions can exceed the values above.  
e.g.) Copper : 1.5 m/s

- When connecting metal pipes made of different materials, be sure to insulate the joint to prevent electrolytic etching.
- Set up a field system so that the inlet water temperature and water flow rate can be within the allowable range specified in our technical data, etc.  
If the unit is used out of the allowable range, the parts of unit might be damaged.

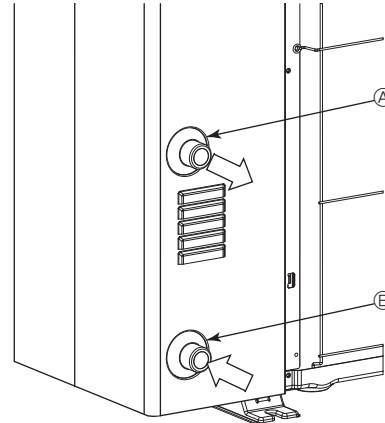


Fig. 5-1

### 5.2. Water quality condition

- The water in a system should be clean and with a pH value of 6.5-8.0.
- The followings are the maximum values;  
Calcium : 100 mg/L  
Chlorine : 100 mg/L  
Iron/manganese : 0.5 mg/L

[Fig. 5-1]

- Ⓐ Water outlet
- Ⓑ Water inlet

### 5.3. Minimum water quantity

Following water quantity is required in the water circuit.

Model	Minimum water quantity (L)
W50	29
W85	37
W112	48
HW112	48
HW140	60

**Note :** Make sure to perform the frozen prevention measure for water pipe system. (Water piping insulation, back-up pump system, using of a certain % ethylene glycol instead of normal water)  
Insulate the water piping properly. The performance can be poor if the insulation is insufficient.

#### ⚠ Warning:

As the outlet water temperature can reach 60 °C at maximum, do not touch the water piping directly with a bare hand.

## 6. Electrical work

### 6.1. Outdoor unit (Fig. 6-1, Fig. 6-2)

- 1 Remove the service panel.
- 2 Wire the cables referring to the Fig. 6-1 and the Fig. 6-2.

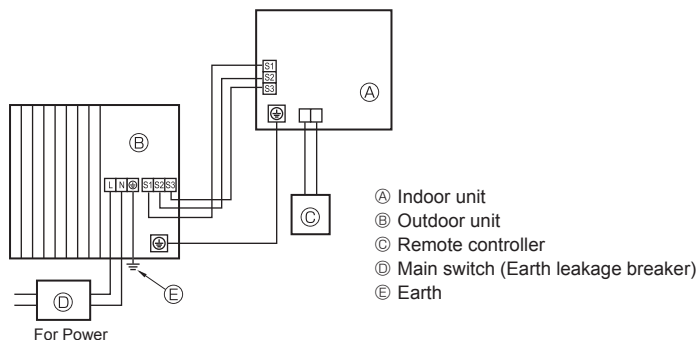


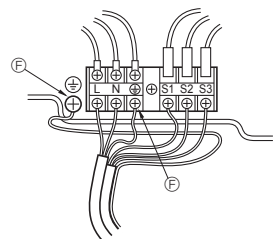
Fig. 6-1

#### ⚠ Caution:

Be sure to install N-Line. Without N-Line, it could cause damage to unit.

- Ⓐ Earth terminal
- Ⓑ Terminal block
- Ⓒ Clamp
- Ⓓ Service panel
- Ⓔ Wire the cables so that they do not contact the center of the service panel.
- Ⓕ Earth terminal

#### ■ 50-140V (Single phase)



#### ■ 112-140Y (3 phase)

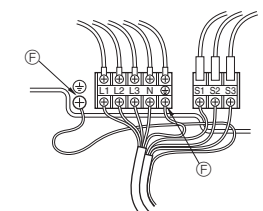


Fig. 6-2

## 6. Electrical work

### 6.2. Field electrical wiring

Outdoor unit model		50V	85V	112V	140V	112Y, 140Y
Outdoor unit power supply		~N (single), 50 Hz, 230 V	~N (single), 50 Hz, 230 V	~N (single), 50 Hz, 230 V	~N (single), 50 Hz, 230 V	3N~ (3 phase), 50 Hz, 400 V
Outdoor unit Circuit Breaker capacity		*1 16 A	25 A	32 A	40 A	16 A
Wiring Wire No. x size (mm <sup>2</sup> )	Outdoor unit power supply, earth	3 x Min. 1.5	3 x Min. 4	3 x Min. 4	3 x Min. 6	5 x Min. 1.5
	Indoor unit-Outdoor unit	*2 3 x 1.5 (polar)	3 x 1.5 (polar)	3 x 1.5 (polar)	3 x 1.5 (polar)	3 x 1.5 (polar)
	Indoor unit-Outdoor unit earth	*2 1 x Min. 1.5	1 x Min. 1.5	1 x Min. 1.5	1 x Min. 1.5	1 x Min. 1.5
	Remote controller-Indoor unit	2 x 0.3 (Non-polar)	2 x 0.3 (Non-polar)	2 x 0.3 (Non-polar)	2 x 0.3 (Non-polar)	2 x 0.3 (Non-polar)
Circuit rating	Outdoor unit L-N (single)					
	Outdoor unit L1-N, L2-N, L3-N (3 phase)	*3 230 VAC	230 VAC	230 VAC	230 VAC	230 VAC
	Indoor unit-Outdoor unit S1-S2	*3 230 VAC	230 VAC	230 VAC	230 VAC	230 VAC
	Indoor unit-Outdoor unit S2-S3	*3 24 VDC	24 VDC	24 VDC	24 VDC	24 VDC
	Remote controller-Indoor unit	*3 12 VDC	12 VDC	12 VDC	12 VDC	12 VDC

\*1. A breaker with at least 3.0 mm contact separation in each poles shall be provided. Use earth leakage breaker (NV).

Make sure that the current leakage breaker is one compatible with higher harmonics.

Always use a current leakage breaker that is compatible with higher harmonics as this unit is equipped with an inverter.

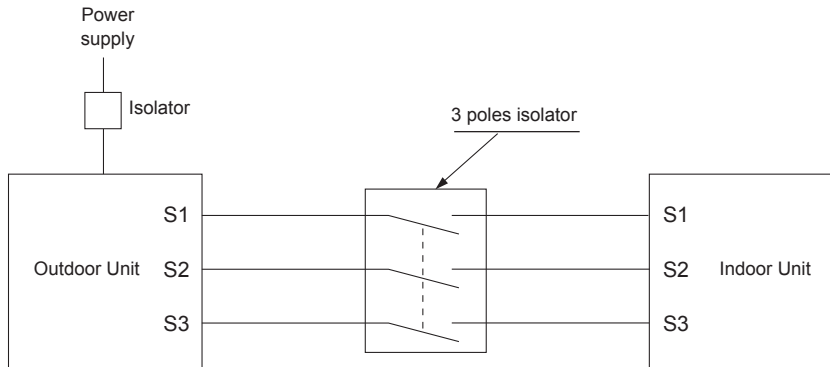
The use of an inadequate breaker can cause the incorrect operation of inverter.

\*2. Max. 80 m

\*3. The figures are NOT always against the ground.

S3 terminal has 24 VDC against S2 terminal. However between S3 and S1, these terminals are NOT electrically insulated by the transformer or other device.

- Notes:**
1. Wiring size must comply with the applicable local and national codes.
  2. Power supply cables and the cables between indoor unit and outdoor unit shall not be lighter than polychloroprene sheathed flexible cables. (Design 60245 IEC 57)
  3. Be sure to connect the cables between indoor unit and outdoor unit directly to the units (no intermediate connections are allowed). Intermediate connections may result in communication errors. If water enters at the intermediate connection point, it may cause insufficient insulation to ground or a poor electrical contact.  
(If an intermediate connection is necessary, be sure to take measures to prevent water from entering the cables.)
  4. Install an earth longer than other cables.
  5. Do not construct a system with a power supply that is turned ON and OFF frequently.



#### ⚠ Warning:

In case of A-control wiring, there is high voltage potential on the S3 terminal caused by electrical circuit design that has no electrical insulation between power line and communication signal line. Therefore, please turn off the main power supply when servicing. And do not touch the S1, S2, S3 terminals when the power is energized. If isolator should be used between indoor unit and outdoor unit, please use 3-pole type.

Never splice the power cable or the indoor-outdoor connection cable, otherwise it may result in a smoke, a fire or communication failure.

## 7. Test run

### Before test run

- ▶ After installation works are completed, check if there is no refrigerant leakage, no looseness in the power supply or control wiring, no wrong polarity, and no disconnection of one phase in the supply.
- ▶ Use a 500-volt megohmmeter to check that the resistance between the power supply terminals and ground is at least 1 MΩ.

#### ⚠ Warning:

Do not use the air to water heat pump if the insulation resistance is less than 1 MΩ.

#### Insulation resistance

When installed the power source to the unit has been cut for an extended period, the insulation resistance may drop below 1 MΩ due to the accumulation of refrigerant within the compressor. This is not a malfunction. Perform the following procedures.

1. Remove the wires from the compressor and measure the insulation resistance of the compressor.
2. If the insulation resistance is below 1 MΩ, the compressor may be faulty or simply the accumulation of refrigerant in the compressor makes the resistance drop.
3. After connecting the wires to the compressor, the compressor starts to warm up once power is supplied. After supplying power for the times indicated below, remove the wires from the compressor and measure the insulation resistance again.

- The insulation resistance drops due to the accumulation of refrigerant in the compressor. The resistance will rise above 1 MΩ after the compressor is warmed up for 4 hours.  
(The necessary time to warm up the compressor varies according to atmospheric conditions and refrigerant accumulation.)
- If the refrigerant accumulates within the compressor, the compressor must be warmed up at least 12 hours before starting the operation to prevent breakdown.
- 4. If the insulation resistance rises above 1 MΩ, the compressor is not faulty.

#### ⚠ Caution:

- The compressor does not operate if the power supply phase connection is incorrect.
- Turn on the power at least 12 hours before starting operation.
- Starting operation immediately after turning on the main power switch can result in severe damage to internal parts. Keep the power switch turned on during the operating period.

**Note :** Occasionally, vapor that is made by the defrost operation may seem as if smoke come up from the outdoor unit.

## 8. Special functions

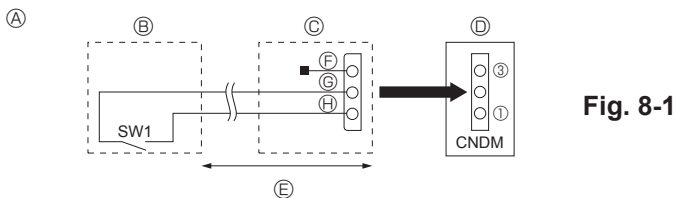


Fig. 8-1

- Ⓐ Circuit diagram example (low noise mode)
- Ⓑ On-site arrangement
- Ⓒ External input adapter (PAC-SC36NA-E)
- Ⓓ Outdoor unit control board
- Ⓔ Max. 10 m
- Ⓕ Red
- Ⓖ Brown
- Ⓗ Orange

### 8.1. Low noise mode (on-site modification) (Fig. 8-1)

The low noise mode will be activated when a commercially available timer or the contact input of an ON/OFF switch is added to the CNDM connector (option) on the control board of the outdoor unit.

- ① Complete the circuit as shown when using the external input adapter (PAC-SC36NA-E). (Option)
- ② SW1 ON: Low noise mode  
SW1 OFF: Normal operation

#### Note:

- The ability varies according to the outdoor temperature and conditions, etc.
- When the ambient temperature is high, this function may not work.

## 9. System control

Set the refrigerant address using the Dip switch of the outdoor unit.

#### SW7 Function Setting

SW7 Setting	Refrigerant address	SW7 Setting	Refrigerant address
ON OFF  3 4 5 6 7	00	ON OFF  3 4 5 6 7	03
ON OFF  3 4 5 6 7	01	ON OFF  3 4 5 6 7	04
ON OFF  3 4 5 6 7	02	ON OFF  3 4 5 6 7	05

#### Note:

- a) Up to 6 units can be connected.
- b) Select one single model for all units.
- c) SW7 Setting are applicable to the following models.  
PUHZ-W50VHA2  
PUHZ-W85VHA2  
PUHZ-W112VHA  
PUHZ-HW112/140YHA2  
PUHZ-HW140VHA2
- d) For Dip switch settings for indoor unit, refer to the indoor unit's installation manual.

## 10. Specifications

		W50VHA(2)	W85VHA(2)	W112VHA	HW112YHA(2)	HW140Y/VHA(2)
Sound Level (Measured under rated operating frequency.)						
SPL	Heating	dB(A)	46	48	53	53
	Cooling	dB(A)	45	48	53	53
PWL	Heating	dB(A)	61	66	69	67

## 11. Serial number

### ■ The serial number is indicated on the SPEC NAME PLATE.

- W50, 112  
HW112, 140

□ □ U

□ □ □ □ □

Sequential number for each unit: 00001–99999

U (outdoor unit)

Month of manufacture: 4, 5, 6, 7, 8, 9, X (10), Y (11), Z (12), 1, 2, 3

Year of manufacture (western calendar) : 2014 → 4, 2015 → 5

- W85

□ □

□ □ □ □ □

Sequential number for each unit: 00001–99999

Month of manufacture: A (1), B (2), C (3), D (4), E (5), F (6), G (7), H (8), J (9), K (10), L (11), M (12)

Year of manufacture (western calendar) : 2014 → 4, 2015 → 5



1. Меры предосторожности	70	7. Выполнение испытания	75
2. Место установки	71	8. Специальная функция	75
3. Процедура установки	72	9. Управление системой	75
4. Дренажные трубы	73	10. Спецификации	75
5. Прокладка водопроводных труб	73	11. Серийный номер	76
6. Электрические работы	73		

## ⚠ Осторожно:

- Не выпускайте R410A в атмосферу:

## 1. Меры предосторожности

▶ До установки прибора убедитесь, что Вы прочли все “Меры предосторожности”.

### ⚠ Предупреждение:

Описывает меры предосторожности, необходимые для предотвращения получения травмы или гибели пользователя.

### ⚠ Осторожно:

Описывает меры предосторожности, необходимые для предотвращения повреждения прибора.

### ⚠ Предупреждение:

- Прибор не должен устанавливаться пользователем. Для выполнения установки прибора обратитесь к дилеру или сертифицированному техническому специалисту. Неправильная установка аппарата может повлечь за собой протечку воды, удар электрическим током или возникновение пожара.
- Прибор должен быть установлен согласно инструкциям, чтобы свести к минимуму риск повреждения от землетрясений, тайфунов или сильных порывов ветра. Неправильно установленный прибор может упасть и причинить повреждение или нанести травму.
- Прибор должен быть установлен на конструкции, способной выдержать его вес. Прибор, установленный на неустойчивой конструкции, может упасть и причинить повреждение или нанести травму.
- Если воздушный тепловой насос для выработки горячей воды устанавливается в закрытом помещении, необходимо принять меры для предотвращения накопления хладагента в комнате в случае его утечки. Проконсультируйтесь со специалистом по установке относительно соответствующих мер. В случае утечки хладагента концентрация кислорода в комнате может уменьшиться.
- Все электроработы должны выполняться квалифицированным техническим специалистом в соответствии с местными правилами и инструкциями, приведенными в данном Руководстве. Приборы должны быть подключены к специально выделенным линиям электропитания с соответствующим напряжением через автоматические выключатели. Использование линий электропитания недостаточной мощности или неправильно проведенных линий может привести к поражению электрическим током или возникновению пожара.
- Используйте для проводки указанные кабели. Убедитесь, что кабели надежно соединены, а оконечные соединения не натянуты. Никогда не соединяйте кабели внахлест (если иное не указано в прилагаемой документации). Несоблюдение этих инструкций может привести к перегреву или возгоранию.
- Крышка наружного прибора должна быть надежно присоединена к прибору. Если крышка установлена неправильно, в прибор могут попасть пыль и влага, что может привести к поражению электрическим током или возникновению пожара.
- При монтаже или перемещении воздушный тепловой насос для выработки горячей воды используйте только указанный хладагент (R410A) для заполнения трубопроводов хладагента. Не смешивайте его ни с каким другим хладагентом и не допускайте наличия воздуха в трубопроводах. Наличие воздуха в трубопроводах может вызывать скачки давления, в результате которых может произойти разрыв или другие повреждения.
- Используйте только те дополнительные принадлежности, на которые имеется разрешение от Mitsubishi Electric; для их установки обратитесь к дилеру или уполномоченному техническому специалисту. Неправильная установка дополнительных принадлежностей может привести к протечке воды, поражению электрическим током или возникновению пожара.

### 1.1. Перед установкой

#### ⚠ Осторожно:

- Не используйте прибор в нестандартной окружающей среде. Установка воздушного теплового насоса для выработки горячей воды в местах, подверженных воздействию пара, летучих масел (включая машинное масло) или сернистых испарений, в местах с повышенной концентрацией соли (таких, как берег моря), или в местах, где прибор будет засыпан снегом, может привести к значительному снижению эффективности работы прибора или повреждению его внутренних частей.
- Не устанавливайте прибор в местах, где возможна утечка, возникновение, приток или накопление горючих газов. Если горючий газ будет накапливаться вокруг прибора, это может привести к возникновению пожара или взрыву.

После установки выполните тестовый прогон, чтобы убедиться в нормальном функционировании. После этого объясните Вашему покупателю раздел “Меры предосторожности”, как использовать и обслуживать прибор на основании информации, приведенной в руководстве по эксплуатации. Пользователю необходимо передать как Руководство по установке, так и Руководство по эксплуатации. Эти руководства обязательно должны быть переданы фактическим пользователям.

⚠ : Указывает, что данная часть должна быть заземлена.

### ⚠ Предупреждение:

Внимательно прочтите текст на этикетках главного прибора.

- Не изменяйте конструкцию прибора. При необходимости ремонта обратитесь к дилеру. Если изменения или ремонт выполнены неправильно, это может привести к утечке воды, удару электрическим током или возникновению пожара.
- Пользователю не следует пытаться отремонтировать прибор или переместить его на другое место. Если прибор установлен неправильно, это может привести к утечке воды, удару электрическим током или возникновению пожара. Если воздушный тепловой насос для выработки горячей воды необходимо починить или переместить, обратитесь к дилеру или квалифицированному техническому специалисту.
- По окончании установки убедитесь в отсутствии утечки хладагента. Если хладагент проникнет в помещение и произойдет контакт его с пламенем обогревателя или переносного пищевого нагревателя, образуются ядовитых газов.
- Используйте достаточно чистую воду, которая соответствует стандартам качества воды. Ухудшение качества воды может привести к поломке системы или утечке воды.
- Никогда не используйте в качестве рабочей жидкости что-либо, отличное от воды. Это может привести к пожару или взрыву.
- Не используйте нагретую или охлажденную воду, полученную с помощью воздушного теплового насоса, непосредственно для питья и приготовления пищи или в качестве воды для плавательного бассейна. Вы можете нанести ущерб здоровью. Если не может поддерживаться необходимое качество воды для системы воздушного теплового насоса для выработки горячей воды, существует также опасность коррозии установленного водяного теплообменника. Если Вы хотите использовать для таких целей воду, нагретую или охлажденную с помощью воздушного теплового насоса для выработки горячей воды, примите необходимые меры в пределах системы водопровода, например, установите второй теплообменник.
- При монтаже или перемещении, а также при обслуживании кондиционера используйте только указанный хладагент (R410A) для заполнения трубопроводов хладагента. Не смешивайте его ни с каким другим хладагентом и не допускайте наличия воздуха в трубопроводах. Наличие воздуха в трубопроводах может вызывать скачки давления, в результате которых может произойти взрыв или другие повреждения.

Использование любого хладагента, отличного от указанного для этой системы, вызовет механическое повреждение, сбой в работе системы, или выход устройства из строя. В наихудшем случае, это может послужить серьезной преградой к обеспечению безопасной работы этого изделия.

- При использовании режима обогрева на наружном приборе образуется конденсат. Удостоверьтесь, что обеспечен хороший дренаж в районе наружного прибора, если этот конденсат может принести какой-либо вред.
- При монтаже прибора в больнице или центре связи примите во внимание шумовое и электронное воздействие. Работа таких устройств, как инверторы, бытовые приборы, высокочастотное медицинское оборудование и оборудование радиосвязи может вызвать сбой в работе воздушного теплового насоса для выработки горячей воды или его поломку. Воздушный тепловой насос для выработки горячей воды также может повлиять на работу медицинского оборудования и медицинского обслуживание и работу коммуникационного оборудования.

# 1. Меры предосторожности

## 1.2. Перед установкой (перемещением)

⚠ Осторожно:

- Будьте чрезвычайно осторожны при транспортировке приборов. Прибор должны переносить 2 или более человека, поскольку он весит не менее 20 кг. Не поднимайте прибор за упаковочные ленты. При извлечении прибора из упаковки или при его перемещении используйте защитные перчатки, во избежание травмирования рук о пластины или о другие выступающие части.
- Утилизируйте упаковочные материалы надлежащим образом. Упаковочные материалы, такие, как гвозди и другие металлические или деревянные части, могут поранить или причинить другие травмы.
- Необходимо периодически производить проверку основного блока наружного прибора и установленных на нем компонентов на разболтанность, наличие трещин или других повреждений. Если такие дефекты оставить неисправленными, прибор может упасть и причинить повреждение или нанести травму.
- Не мойте водой воздушный тепловой насос для выработки горячей воды. Это может привести к поражению электрическим током.

## 1.3. Перед электрическими работами

⚠ Осторожно:

- Обязательно установите автоматические выключатели. В противном случае возможно поражение электрическим током.
- Используйте для электропроводки стандартные кабели, рассчитанные на соответствующую мощность. В противном случае может произойти короткое замыкание, перегрев или пожар.
- При монтаже кабелей питания не прикладывайте растягивающих усилий. Если соединения ненадежны, кабель может отсоединиться или порваться, что может привести к перегреву или возникновению пожара.
- Обязательно заземлите прибор. Не подсоединяйте провод заземления к газовым или водопроводным трубам, молниеотводам или линиям заземления телефонов. Отсутствие надлежащего заземления может привести к поражению электрическим током.
- Используйте автоматические выключатели (прерыватель утечки тока на землю, разъединитель (плавкий предохранитель +V) и предохранитель корпуса) с указанным предельным током. Если предельный ток автоматического выключателя больше, чем необходимо, может произойти поломка или пожар.

## 1.4. Перед тестовым прогоном

⚠ Осторожно:

- Включайте главный выключатель питания не позднее, чем за 12 часов до начала эксплуатации. Запуск прибора сразу после включения выключателя питания может серьезно повредить внутренние части. Держите главный выключатель питания включенным в течение всего времени работы.
- Перед началом эксплуатации проверьте, что все пульты, щитки и другие защитные части правильно установлены. Вращающиеся, нагретые или находящиеся под напряжением части могут нанести травмы.
- Не прикасайтесь ни к каким выключателям влажными руками. Это может привести к поражению электрическим током.
- Не прикасайтесь к трубам с хладагентом голыми руками во время работы прибора. Трубы с хладагентом при работе прибора нагреваются или охлаждаются в зависимости от состояния циркулирующего хладагента. Прикосновение к трубам может привести к ожогу или обморожению.
- После остановки прибора обязательно подождите по крайней мере пять минут перед выключением главного выключателя питания. В противном случае возможна протечка воды или поломка прибора.

## 1.5. Использование хладагента R410A для воздушный тепловой насос для выработки горячей воды

⚠ Осторожно:

- Используйте только хладагент R410A. В случае использования другого хладагента хлор может испортить масло.
- Используйте нижеперечисленные инструменты, специально предназначенные для работы с хладагентом R410A. При возникновении каких-либо вопросов обратитесь к ближайшему дилеру.

Инструменты (для R410A)	
Набор шаблонов	Шланг зарядки
Детектор утечки газа	Адаптер вакуумного насоса
Ключ с регулируемым усилием	Электронный измеритель зарядки хладагента

# 2. Место установки

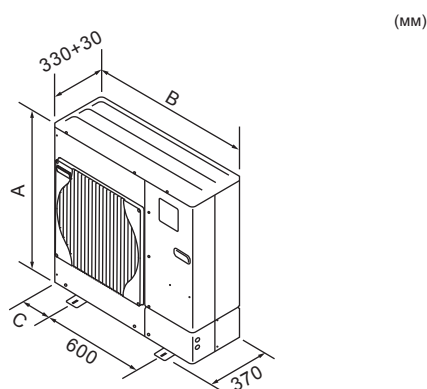


Fig. 2-1

Модели	A(мм)	B(мм)	C(мм)
50	740	950	175
85	943	950	175
112	1350	1020	210
140	1350	1020	210

## 2.1. Выбор места установки наружного прибора

- Не устанавливайте прибор в местах, подверженных воздействию прямых солнечных лучей или других источников нагрева.
- Выберите такое размещение, чтобы шум при работе прибора не беспокоил окружающих.
- Выберите место, удобное для проведения кабелей и трубопроводов к источнику питания и внутреннему прибору.
- Не устанавливайте прибор в местах, где возможна утечка, возникновение, приток или накопление горючих газов.
- Примите во внимание, что во время работы прибора из него может капать вода.
- Выберите место, способное выдержать вес и вибрацию прибора.
- Не устанавливайте прибор в местах, где он может быть засыпан снегом. В тех регионах, где возможны сильные снегопады, требуется принять специальные меры предосторожности (например, разместить прибор повыше или смонтировать на воздухозаборнике козырек) с целью предотвращения закупорки воздухозаборника снегом или прямого воздействия ветра. В противном случае возможно уменьшение потока воздуха, что может привести к сбою.
- Не устанавливайте прибор в местах, подверженных влиянию летучих масел, пара или сернистых испарений.
- Для транспортировки наружного прибора используйте четыре ручки, расположенные на приборе слева, справа, спереди и сзади. При переносе прибора за нижнюю часть можно придавить руки или пальцы.

## 2.2. Контурные габариты (Наружный прибор) (Fig. 2-1)

## 2. Место установки

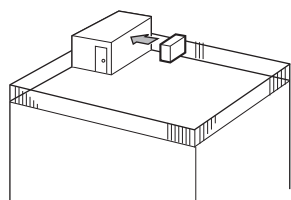


Fig. 2-2

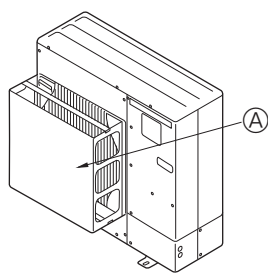


Fig. 2-3

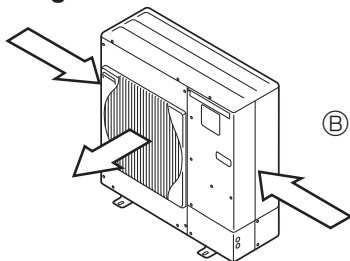


Fig. 2-4

### 2.3. Установка в местах, где возможен сильный ветер

При монтаже наружного прибора на крыше или другом месте, не защищенном от ветра, расположите вентиляционную решетку прибора так, чтобы она не подвергалась воздействию сильного ветра. Сильный ветер, дующий прямо в выходное отверстие, может препятствовать нормальному потоку воздуха, что может привести к сбою.

Ниже приведены три примера соблюдения мер предосторожности против сильного ветра.

- ① Расположите прибор так, чтобы выходное отверстие было направлено к самой близкой из доступных стен на расстоянии около 50 см от стены. (Fig. 2-2)
- ② Установите дополнительный воздуховод, если прибор установлен в месте, где сильный ветер от тайфуна и т.д. может попадать непосредственно в вентиляционную решётку. (Fig. 2-3)
  - Ⓐ Воздуховод
- ③ По возможности разместите прибор так, чтобы воздух из выходного отверстия выдувался в направлении, перпендикулярном к сезонному направлению ветра. (Fig. 2-4)
  - Ⓑ Направление ветра

## 2.4. НЕОБХОДИМОЕ ДЛЯ УСТАНОВКИ ПРОСТРАНСТВО

### 2.4.1. При установке одиночного наружного прибора (См. последнюю стр.)

Минимальные размеры включают, за исключением указанных Макс., значит Максимальных размеров, следующие размеры.

Цифры в скобках относятся к моделям 112/140.

См. соответствующие значения для каждого случая.

- ① Окружающие предметы - только сзади (Fig. 2-5)
- ② Окружающие предметы - только сзади и сверху (Fig. 2-6)
  - Не используйте дополнительные воздуховоды для восходящего потока воздуха.
- ③ Окружающие предметы - только сзади и с боковых сторон (Fig. 2-7)
- ④ Окружающие предметы - только спереди (Fig. 2-8)
  - \* При использовании дополнительного выходного воздуховода, расстояние для моделей 112/140 должно быть 500 мм или более.
- ⑤ Окружающие предметы - только спереди и сзади (Fig. 2-9)
  - \* При использовании дополнительного выходного воздуховода, расстояние для моделей 112/140 должно быть 500 мм или более.
- ⑥ Окружающие предметы - только сзади, с боковых сторон и сверху (Fig. 2-10)
  - Не используйте дополнительные воздуховоды для восходящего потока воздуха.

### 2.4.2. При установке нескольких наружных приборов (См. последнюю стр.)

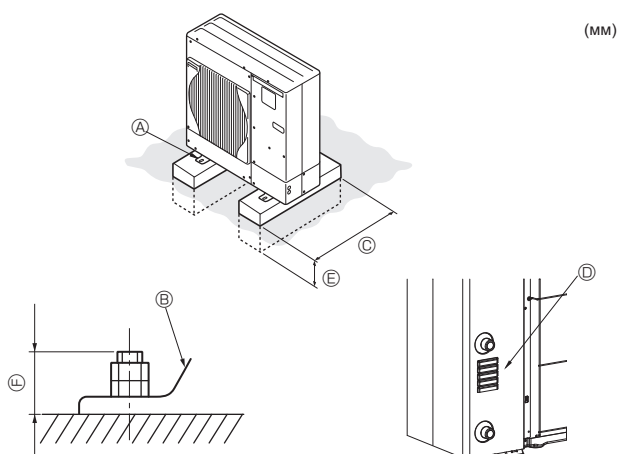
Между приборами необходимо оставить 10 мм или более свободного пространства.

Цифры в скобках относятся к моделям 112/140.

См. соответствующие значения для каждого случая.

- ① Окружающие предметы - только сзади (Fig. 2-11)
- ② Окружающие предметы - только сзади и сверху (Fig. 2-12)
  - Не следует устанавливать рядом более трех приборов. Приборы должны находиться на указанном расстоянии друг от друга.
  - Не используйте дополнительные воздуховоды для восходящего потока воздуха.
- ③ Окружающие предметы - только спереди (Fig. 2-13)
  - \* При использовании дополнительного воздуховода выходного отверстия, расстояние для моделей 112/140 должно быть 1000 мм или более.
- ④ Окружающие предметы - только спереди и сзади (Fig. 2-14)
  - \* При использовании дополнительного воздуховода выходного отверстия, расстояние для моделей 112/140 должно быть 1000 мм или более.
- ⑤ Расположение приборов в один горизонтальный ряд (Fig. 2-15)
  - \* При использовании дополнительного воздуховода выходного отверстия для восходящего потока воздуха, расстояние должно быть 500 (1000) мм или больше.
- ⑥ Расположение приборов в несколько горизонтальных рядов (Fig. 2-16)
  - \* При использовании дополнительного воздуховода выходного отверстия для восходящего потока воздуха расстояние должно быть 1000 (1500) мм или более.
- ⑦ Расположение приборов вертикальными рядами (Fig. 2-17)
  - Можно вертикально расположить до двух приборов.
  - Рядом должно быть установлено не более двух вертикальных рядов. Приборы должны находиться на указанном расстоянии друг от друга.

## 3. Процедура установки



- Ⓐ Болт M10 (3/8")
- Ⓑ Основание
- Ⓒ Максимально возможная длина.
- Ⓓ Вентиль
- Ⓔ Установите глубоко в грунт
- Ⓕ Макс.30
- Ⓖ Мин.360 (430)
- Ⓗ Мин.10

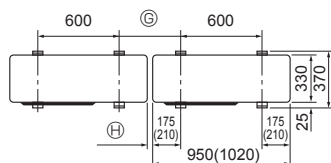


Fig. 3-1

- Обязательно устанавливайте прибор на твердой ровной поверхности для предотвращения его дрейфования во время эксплуатации. (Fig. 3-1)

<Требования к фундаменту>

Фундаментный болт	M10 (3/8")
Толщина бетона	120 мм
Длина болта	70 мм
Несущая способность	320 кг

- Убедитесь в том, что фундаментный болт в пределах 30 мм от нижней поверхности основания.
- Надежно прикрепите основание прибора с помощью четырех фундаментных болтов M10 к твердой поверхности.

### Установка наружного прибора

- Не блокируйте вентиль. Если вентиль заблокирован, это будет препятствовать работе, что может привести к поломке.
- Кроме предусмотренных изначально, используйте установочные отверстия в задней стенке прибора для подсоединения проводов и т.д., если возникнет такая необходимость. Для установки на место используйте шурупы-саморезы (ø5 × Не более 15 мм).

### ⚠ Предупреждение:

- Прибор должен быть установлен на конструкции, способной выдержать его вес. Прибор, установленный на неустойчивой конструкции, может упасть и причинить повреждение или нанести травму.
- Прибор должен быть установлен согласно инструкциям, чтобы свести к минимуму риск повреждения от землетрясений, тайфунов или сильных порывов ветра. Неправильно установленный прибор может упасть и причинить повреждение или нанести травму.

\* Цифры в скобках относятся к моделям 112/140.

## 4. Дренажные трубы

### Соединение дренажных труб наружного прибора

При необходимости дренажа используйте сливное гнездо или дренажный поддон (дополнительно).

Наименование дополнительных частей	Наименование модели
Сливное гнездо	PAC-SG61DS-E
Дренажный поддон для 50/85	PAC-SG64DP-E

\* Для 112/140 дополнительный дренажный поддон не предусмотрен.

\* Сливное гнездо применимо только с W50, W85 и W112 и несовместимо с HW112 и HW140.

## 5. Прокладка водопроводных труб

### 5.1. Соединение водопроводных труб (Fig. 5-1)

- Подсоедините водопроводные трубы к входным и выходным трубам. (Винт с параллельной наружной резьбой для 1-дюймовой (2,54 см) водопроводной трубы (ISO 228/1-G1B))
- Положение входных и выходных труб показано на рисунке Fig. 5-1.
- На водоприемнике установите гидравлический фильтр.
- Максимально допустимый момент затяжки при соединении водопроводных труб составляет 50 Н·м.
- После установки убедитесь в отсутствии протечек воды.
- Давление воды на входе должно быть больше 0 МПа, но меньше 0,3 МПа.
- Используйте воду на входе с температурой не выше 55°C.

#### Примечание:

- Скорость воды в трубах должна соответствовать техническим свойствам материала, во избежание эрозии, коррозии и образования шума, превышающего норму.

Помните и учитывайте тот факт, что локальные скорости в малых трубах, отводах труб и подобных местах стеснения потока могут превышать вышеуказанные величины.

- например) Медь: 1,5м/с
  - При подсоединении металлических труб, изготовленных из другого материала, обязательно установите изоляцию в местах соединений для предотвращения электролитической коррозии.
  - Установите систему таким образом, чтобы температура воды на входе и скорость воды в трубах находились в пределах допустимого диапазона, указанного в технических данных и т.п.
- В случае использования устройства за пределами доступного диапазона части устройства могут быть повреждены.

### 5.2. Требования к качеству воды

- Вода в системе должна быть чистой, а величина pH должна составлять 6,5-8,0.
- Нижеприведенные значения являются максимальными:  
Кальций: 100 мг/л  
Хлор: 100 мг/л  
Железо/марганец: 0,5 мг/л

[Fig. 5-1]

Ⓐ Выход воды

Ⓑ Вход воды

### 5.3. Минимальный объем воды

Для работы контура охлаждения требуется объем воды, приведенный в таблице ниже.

Модель	Минимальный объем воды (л)
W50	29
W85	37
W112	48
HW112	48
HW140	60

## 6. Электрические работы

### 6.1. Наружный прибор (Fig. 6-1, Fig. 6-2)

- Снимите защитную панель.
- Подсоедините кабели, как указано на Fig. 6-1 и Fig. 6-2.

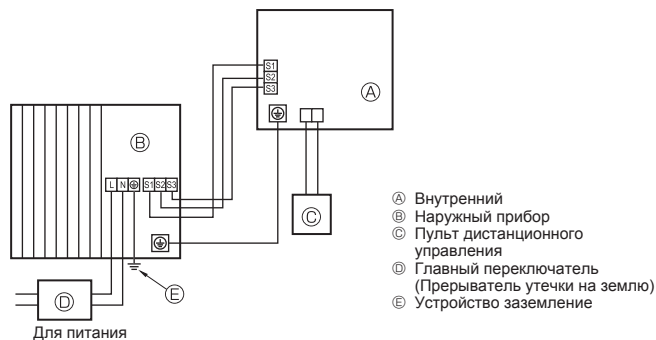


Fig. 6-1

**⚠ Осторожно:**  
Обязательно установите N-линию. Отсутствие N-линии может привести к повреждению устройства.

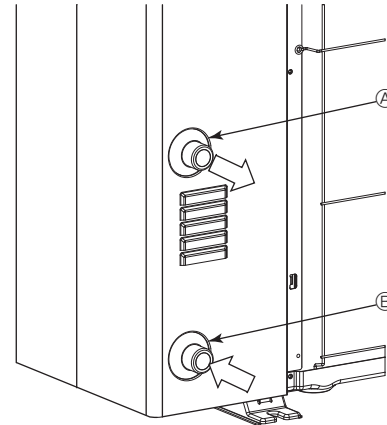


Fig. 5-1

**Примечание:** Обязательно предпринимайте меры по предотвращению замерзания системы водяного трубопровода. (Изоляция водяного трубопровода, система запасного насоса, использование определенного % этиленгликоля вместо обычной воды)  
Изолируйте должным образом водопроводные трубы. Производительность может ухудшиться, если изоляция недостаточна.

#### ⚠ Предупреждение:

Так как максимальная температура на выходе может достигать 60 °C, не прикасайтесь непосредственно к водопроводным трубам голыми руками.

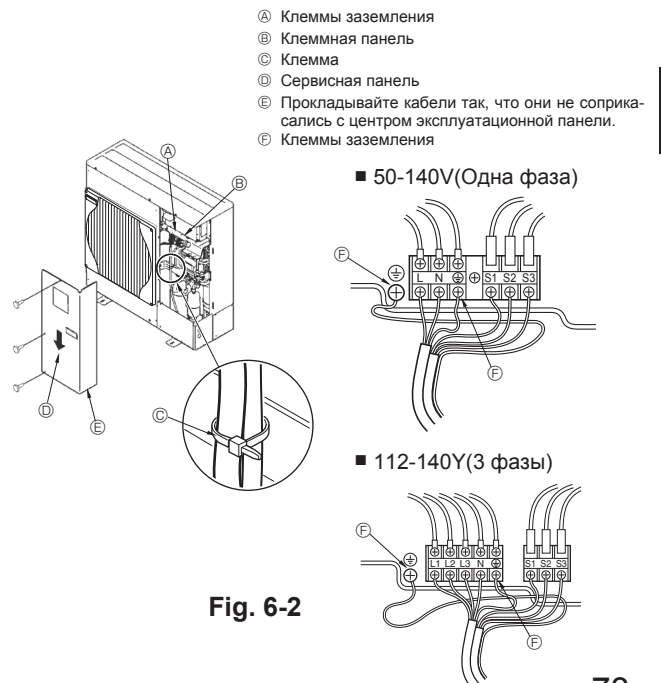


Fig. 6-2

## 6. Электрические работы

### 6.2. Электропроводка на месте монтажа

Наружный прибор модель		50 V	85 V	112V	140 V	112 Y, 140 Y
Наружный прибор Электропитание		~/N (однофазный), 50 Гц, 230 В	~/N (однофазный), 50 Гц, 230 В	~/N (однофазный), 50 Гц, 230 В	~/N (однофазный), 50 Гц, 230 В	3N~ (3 фазы), 50 Гц, 400 В
Наружный прибор Емкость сетевого прерывателя *1		16 А	25 А	32 А	40 А	16 А
Электропроводка Провод № x размер (мм <sup>2</sup> )	Заземление питания наружного прибора	3 x Мин. 1,5	3 x Мин. 4	3 x Мин. 4	3 x Мин. 6	5 x Мин. 1,5
	Внутренний-Наружный прибор *2	3 x 1,5 (полярный)	3 x 1,5 (полярный)	3 x 1,5 (полярный)	3 x 1,5 (полярный)	3 x 1,5 (полярный)
	Внутренний-Заземление наружного прибора *2	1 x Мин. 1,5	1 x Мин. 1,5	1 x Мин. 1,5	1 x Мин. 1,5	1 x Мин. 1,5
	Пульт ДУ-Внутренний	2 x 0,3(Неполярный)	2 x 0,3(Неполярный)	2 x 0,3 (Неполярный)	2 x 0,3(Неполярный)	2 x 0,3(Неполярный)
Мощность цепи	Наружный прибор L-N (однофазный)					
	Наружный прибор L1-N, L2-N, L3-N (3 фазы) *3	230 Вольт перем. тока	230 Вольт перем. тока	230 Вольт перем. тока	230 Вольт перем. тока	230 Вольт перем. тока
	Внутренний-Наружный прибор S1-S2 *3	230 Вольт перем. тока	230 Вольт перем. тока	230 Вольт перем. тока	230 Вольт перем. тока	230 Вольт перем. тока
	Внутренний-Наружный прибор S2-S3 *3	24 Вольт пост. тока	24 Вольт пост. тока	24 Вольт пост. тока	24 Вольт пост. тока	24 Вольт пост. тока
	Пульт ДУ-Внутренний *3	12 Вольт пост. тока	12 Вольт пост. тока	12 Вольт пост. тока	12 Вольт пост. тока	12 Вольт пост. тока

\*1. Используйте переключатель утечки на землю (NV) с расстоянием между контактами по крайней мере 3,0 мм для каждого полюса.

Убедитесь в том, что используемый прерыватель утечки тока совместим с более высокой гармоникой.

Всегда пользуйтесь прерывателем утечки тока, так как данный прибор оборудован инвертором.

Прерыватель утечки тока, несовместимый с более высокой гармоникой, может стать причиной неправильной работы инвертора.

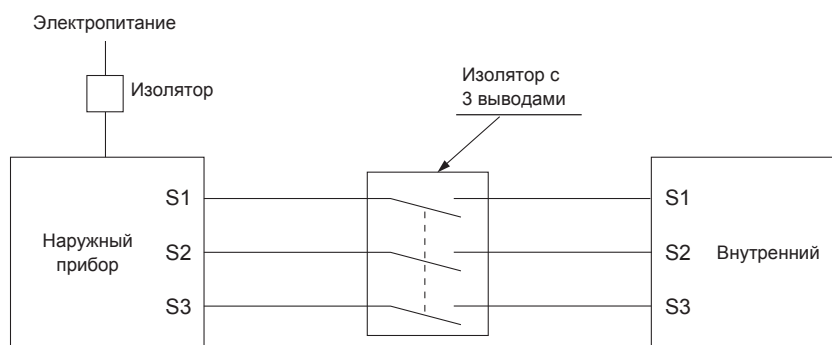
\*2. Макс. 80 м

\*3. Величины HE всегда измерены относительно земли.

Разница потенциалов выводов S3 и S2 составляет 24 В постоянного тока. Между выводами S3 и S1 нет электрической изоляции с помощью трансформатора или другого устройства.

#### Примечания:

- Диаметр проводов должен соответствовать применимым местным и национальным нормам.
- Силовые и соединительные кабели внутреннего и наружного приборов не должны быть легче экранированного гибкого провода из полихлоропрена (модель 60245 IEC 57).
- Обязательно подключите кабели между внутренним и наружным приборами непосредственно к самим приборам (промежуточные соединения не допускаются).  
Промежуточные соединения могут приводить к ошибкам при передаче информации. Если в место промежуточного соединения попадет вода, то это может привести к недостаточной изоляции относительно земли или плохому электрическому контакту. (Если необходимо промежуточное соединение, обязательно примите меры для предотвращения попадания воды на кабели.)
- Длина устанавливаемого кабеля заземления должна превышать длину других кабелей.
- Не выполняйте конструкцию системы таким образом, чтобы часто приходилось включать и выключать электропитание.



#### ⚠ Предупреждение:

В случае прокладки кабелей А-управления на выводе S3 имеется высоковольтный потенциал, связанный с конструкцией электрической цепи, в которой отсутствует изоляция между силовой линией и линией сигнала связи. Поэтому при проведении сервисного обслуживания отключите основной источник питания. Не прикасайтесь к контактам S1, S2, S3, когда подается питание. Если требуется использовать изолятор между наружным и внутренним блоками, используйте 3- полюсного типа.

Никогда не подсоединяйте внахлест силовой кабель или соединительный кабель внешнего питания. Это может привести к задымлению, возгоранию или неисправности.

## 7. Выполнение испытания

### Перед пробным прогоном

- ▶ После завершения установки, прокладки труб и электропроводки внутреннего и наружного приборов проверьте отсутствие утечки хладагента, слабых соединений кабеля питания или проводов управления и неправильной полярности, а также убедитесь, что все фазы питания подключены.
- ▶ Измерьте сопротивление между терминалами источника электропитания и заземлением с использованием 500-вольтного меггера и убедитесь, что сопротивление составляет не менее 1 МΩ.

⚠ Предупреждение:

Не пользуйтесь Воздушный тепловой насос для выработки горячей воды, если сопротивление изоляции меньше 1 МΩ.

#### Сопротивление изоляции

После установки или длительного отключения источника питания от прибора, сопротивление изоляции падает ниже 1 МΩ вследствие накопления хладагента в компрессоре. Это не является неисправностью. Выполните следующие действия.

1. Отключите от компрессора провода и измерьте сопротивление изоляции компрессора.
2. Если сопротивление изоляции ниже 1 МΩ, то компрессор неисправен или сопротивление упало вследствие накопления хладагента в компрессоре.
3. После подсоединения проводов к компрессору при подаче питания он начнет нагреваться. После подачи питания в течение нижеуказанных периодов времени отсоедините провода от компрессора и измерьте сопротивление изоляции еще раз.

- Сопротивление изоляции понижается из-за накопления хладагента в компрессоре. Сопротивление поднимется выше 1 МΩ после прогрева компрессора в течение 4 часов.  
(Время, в течение которого необходимо прогревать компрессор, зависит от атмосферных условий и количества накопленного хладагента.)
  - Чтобы использовать компрессор, в котором скопился хладагент, компрессор необходимо прогреть в течение по крайней мере 12 часов, чтобы предотвратить поломку.
4. Если сопротивление изоляции возрастает до значения свыше 1 МΩ, то компрессор исправен.

⚠ Осторожно:

- Компрессор не будет работать при неправильном подсоединении фаз источника электропитания.
- Подключите электропитание прибора не менее чем за 12 часов до начала работы.
- Запуск прибора сразу после подключения сетевого питания может серьезно повредить внутренние части прибора. Сетевой выключатель должен оставаться во включенном положении в течение всего периода эксплуатации прибора.

**Примечание:** Иногда при возникновении испарений в процессе оттаивания может казаться, что наружный прибор дымится.

## 8. Специальная функция

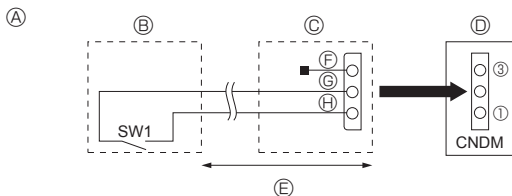


Fig. 8-1

- Ⓐ Пример коммутационной схемы (режим низкого шума)
- Ⓑ Размещение на месте
- Ⓒ Внешний входной адаптер (PAC-SC36NA-E)
- Ⓓ Пульт управления наружным прибором
- Ⓔ Макс. 10 м.
- Ⓕ Красный
- Ⓖ Коричневый
- Ⓗ Оранжевый

### 8.1. Режим низкого шума (модификация “на месте”) (Fig. 8-1)

Режим низкого шума активизируется после подключения отдельно поставляемого таймера или подключения контактного входа переключателя “ON/OFF” к разъему CNDM (также поставляется отдельно) на пульте управления наружного прибора.

- ① При использовании внешнего входного адаптера (PAC-SC36NA-E) (поставляется отдельно) дополните электросхему как показано ниже.
- ② SW1 в положении ON: режим низкого шума  
SW1 в положении OFF: обычный режим

**Примечание:**

- Эта возможность зависит от температуры и условий окружающей среды и т.д.
- При высокой температуре окружающей среды эта функция может не работать.

## 9. Управление системой

Задайте адрес хладагента с помощью микропереключателя наружного прибора.

Настройка функций переключателя SW7

Настройка SW7	Адрес хладагента	Настройка SW7	Адрес хладагента										
ON OFF <table border="1"><tr><td>3</td><td>4</td><td>5</td><td>6</td><td>7</td></tr></table>	3	4	5	6	7	00	ON OFF <table border="1"><tr><td>3</td><td>4</td><td>5</td><td>6</td><td>7</td></tr></table>	3	4	5	6	7	03
3	4	5	6	7									
3	4	5	6	7									
ON OFF <table border="1"><tr><td>3</td><td>4</td><td>5</td><td>6</td><td>7</td></tr></table>	3	4	5	6	7	01	ON OFF <table border="1"><tr><td>3</td><td>4</td><td>5</td><td>6</td><td>7</td></tr></table>	3	4	5	6	7	04
3	4	5	6	7									
3	4	5	6	7									
ON OFF <table border="1"><tr><td>3</td><td>4</td><td>5</td><td>6</td><td>7</td></tr></table>	3	4	5	6	7	02	ON OFF <table border="1"><tr><td>3</td><td>4</td><td>5</td><td>6</td><td>7</td></tr></table>	3	4	5	6	7	05
3	4	5	6	7									
3	4	5	6	7									

**Примечание:**

- а) Можно подключать до 6 приборов.
- б) Все подключаемые приборы должны быть одной модели.
- в) Настройка переключателя SW7 применяется к следующим моделям.  
PUHZ-W50VHA2  
PUHZ-W85VHA2  
PUHZ-W112VHA  
PUHZ-HW112/140YHA2  
PUHZ-HW140VHA2
- д) Чтобы настроить микропереключатель внутреннего прибора, см. руководство по установке внутреннего прибора.

## 10. Спецификации

			W50VHA(2)	W85VHA(2)	W112VHA	HW112YHA(2)	HW140Y/VHA(2)
Уровень шума (Замеры выполнены при номинальной рабочей частоте.)							
SPL	Обогрев	дБ(А)	46	48	53	53	53
	Охлаждение	дБ(А)	45	48	53	53	53
PWL	Обогрев	дБ(А)	61	66	69	67	67

## 11. Серийный номер

---

### ■ Серийный номер указан на заводской табличке спецификации.

• W50, 112  
HW112, 140

Последовательные номера для каждого устройства: 00001–99999

U (наружный прибор)

Месяц изготовления: 4, 5, 6, 7, 8, 9, X (10), Y (11), Z (12), 1, 2, 3

Год изготовления (западный календарь) : 2014 → 4, 2015 → 5

• W85

Последовательные номера для каждого устройства: 00001–99999

Месяц изготовления: A (1), B (2), C (3), D (4), E (5), F (6), G (7), H (8), J (9), K (10), L (11), M (12)

Год изготовления (западный календарь) : 2014 → 4, 2015 → 5

---

Название компании: ООО «Мицубиси Электрик (РУС)»

Адрес: Россия, 115054, Москва, Космодамианская наб., д. 52, стр. 1

## <ENGLISH>

English is original. The other languages versions are translation of the original.

### ⚠ CAUTION

- Refrigerant leakage may cause suffocation. Provide ventilation in accordance with EN378-1.
- Be sure to wrap insulation around the piping. Direct contact with the bare piping may result in burns or frostbite.
- Never put batteries in your mouth for any reason to avoid accidental ingestion.
- Battery ingestion may cause choking and/or poisoning.
- Install the unit on a rigid structure to prevent excessive operation sound or vibration.
- The A-weighted sound pressure level is below 70dB.
- This appliance is intended to be used by expert or trained users in shops, in light industry and on farms, or for commercial use by lay persons.

## <DEUTSCH>

Das Original ist in Englisch. Die anderen Sprachversionen sind vom Original übersetzt.

### ⚠ VORSICHT

- Wenn Kältemittel austritt, kann dies zu Ersticken führen. Sorgen Sie in Übereinstimmung mit EN378-1 für Durchlüftung.
- Die Leitungen müssen isoliert werden. Direkter Kontakt mit nicht isolierten Leitungen kann zu Verbrennungen oder Erfrierungen führen.
- Nehmen Sie niemals Batterien in den Mund, um ein versehentliches Verschlucken zu vermeiden.
- Durch das Verschlucken von Batterien kann es zu Erstickungen und/oder Vergiftungen kommen.
- Installieren Sie das Gerät auf einem stabilen Untergrund, um übermäßige Betriebsgeräusche oder -schwingungen zu vermeiden.
- Der A-gewichtete Schalldruckpegel ist niedriger als 70dB.
- Dieses Gerät ist vorgesehen für die Nutzung durch Fachleute oder geschultes Personal in Werkstätten, in der Leichtindustrie und in landwirtschaftlichen Betrieben oder für die kommerzielle Nutzung durch Laien.

## <FRANÇAIS>

L'anglais est l'original. Les versions fournies dans d'autres langues sont des traductions de l'original.

### ⚠ PRECAUTION

- Une fuite de réfrigérant peut entraîner une asphyxie. Fournissez une ventilation adéquate en accord avec la norme EN378-1.
- Assurez-vous que la tuyauterie est enveloppée d'isolant. Un contact direct avec la tuyauterie nue peut entraîner des brûlures ou des engelures.
- Ne mettez jamais des piles dans la bouche pour quelque raison que ce soit pour éviter de les avaler par accident.
- Le fait d'ingérer des piles peut entraîner un étouffement et/ou un empoisonnement.
- Installez l'appareil sur une structure rigide pour prévenir un bruit de fonctionnement et une vibration excessifs.
- Le niveau de pression acoustique pondéré est en dessous de 70 dB.
- Cet appareil est conçu pour un utilisateur expert ou les utilisateurs formés en magasin, dans l'industrie légère et dans l'agriculture ou dans le commerce par le profane.

## <NEDERLANDS>

Het Engels is het origineel. De andere taalversies zijn vertalingen van het origineel.

### ⚠ VOORZICHTIG

- Het lekken van koelvloeistof kan verstikking veroorzaken. Zorg voor ventilatie in overeenstemming met EN378-1.
- isoleer de leidingen met isolatiemateriaal. Direct contact met de onbedekte leidingen kan leiden tot brandwonden of bevriezing.
- Stop nooit batterijen in uw mond om inslikking te voorkomen.
- Het inslikken van batterijen kan verstikking of vergiftiging veroorzaken.
- Installeer het apparaat op een stabiele structuur om overmatig lawaai of trillingen te voorkomen.
- Het niveau van de geluidsdruk ligt onder 70 dB(A).
- Dit apparaat is bedoeld voor gebruik door ervaren of opgeleide gebruikers in werkplaatsen, in de lichte industrie en op boerderijen, of voor commercieel gebruik door leken.

## <ESPAÑOL>

El idioma original del documento es el inglés. Las versiones en los demás idiomas son traducciones del original.

### ⚠ CUIDADO

- Las pérdidas de refrigerante pueden causar asfixia. Se debe proporcionar la ventilación determinada en EN378-1.
- Asegúrese de colocar el aislante alrededor de las tuberías. El contacto directo con la tubería puede ocasionar quemaduras o congelación.
- Para evitar una ingestión accidental, no coloque las pilas en su boca bajo ningún concepto.
- La ingestión de las pilas puede causar asfixia y/o envenenamiento.
- Coloque la unidad en una estructura rígida para evitar que se produzcan sonidos o vibraciones excesivos debidos a su funcionamiento.
- El nivel de presión acústica ponderado A es inferior a 70 dB.
- Este aparato está destinado a su uso por parte de usuarios expertos o capacitados en talleres, industrias ligeras y granjas, o a su uso comercial por parte de personas no expertas.

## <ITALIANO>

Il testo originale è redatto in lingua Inglese. Le altre versioni linguistiche rappresentano traduzioni dell'originale.

### ⚠ ATTENZIONE

- Le perdite di refrigerante possono causare asfissia. Prevedere una ventilazione adeguata in conformità con la norma EN378-1.
- Accertarsi di applicare materiale isolante intorno alle tubature. Il contatto diretto con le tubature non schermate può provocare ustioni o congelamento.
- Non introdurre in nessun caso le batterie in bocca onde evitare ingestioni accidentali.
- L'ingestione delle batterie può provocare soffocamento e/o avvelenamento.
- Installare l'unità su una struttura rigida in modo da evitare rumore o vibrazioni eccessivi durante il funzionamento.
- Il livello di pressione del suono ponderato A è inferiore a 70dB.
- Questa apparecchiatura è destinata all'utilizzo da parte di utenti esperti o addestrati in negozi, industria leggera o fattorie oppure a un uso commerciale da parte di persone non esperte.

## <ΕΛΛΗΝΙΚΑ>

Η γλώσσα του πρωτοτύπου είναι η αγγλική. Οι εκδόσεις άλλων γλωσσών είναι μεταφράσεις του πρωτοτύπου.

### ⚠ ΠΡΟΣΟΧΗ

- Η διαρροή του ψυκτικού ενδέχεται να προκαλέσει ασφυξία. Φροντίστε για τον εξερισμό σύμφωνα με το πρότυπο EN378-1.
- Φροντίστε να τυλίξετε με μονωτικό υλικό τη σωλήνωση. Η απευθείας επαφή με τη γυμνή σωλήνωση ενδέχεται να προκαλέσει εγκαύματα ή κρυοπαγήματα.
- Μη βάζετε ποτέ τις μπαταρίες στο στόμα σας για κανένα λόγο ώστε να αποφύγετε την κατά λάθος κατάποσή τους.
- Η κατάποση μπαταριών μπορεί να προκαλέσει πνιγμό ή/και δηλητηρίαση.
- Εγκαταστήστε τη μονάδα σε σταθερή κατασκευή ώστε να αποφύγετε τον έντονο ήχο λειτουργίας ή τους κραδασμούς.
- Η Α-σταθμισμένη στάθμη ηχητικής πίεσης είναι κάτω των 70dB.
- Η συσκευή αυτή προορίζεται για χρήση από έμπειρους ή εκπαιδευμένους χρήστες σε καταστήματα, στην ελαφριά βιομηχανία και σε αγροκτήματα, ή για εμπορική χρήση από άτομα τα οποία δεν είναι ειδήμονες.

## <PORTUGUÊS>

O idioma original é o inglês. As versões em outros idiomas são traduções do idioma original.

### ⚠ CUIDADO

- A fuga de refrigerante pode causar asfixia. Garanta a ventilação em conformidade com a norma EN378-1.
- Certifique-se de que envolve as tubagens com material de isolamento. O contacto directo com tubagens não isoladas pode resultar em queimaduras ou ulcerações provocadas pelo frio.
- Nunca coloque pilhas na boca, por nenhum motivo, para evitar a ingestão accidental.
- A ingestão de uma pilha pode causar obstrução das vias respiratórias e/ou envenenamento.
- Instale a unidade numa estrutura robusta, de forma a evitar ruídos ou vibrações excessivos durante o funcionamento.
- O nível de pressão sonora ponderado A é inferior a 70 dB.
- Este equipamento destina-se a ser utilizado por especialistas ou utilizadores com formação em lojas, na indústria ligeira e em quintas, ou para utilização comercial por leigos.

## <DANSK>

Engels er originalen. De andre sprogversioner er oversættelser af originalen.

### ⚠ FORSIGTIG

- Lækage af kølemiddel kan forårsage kvælning. Sørg for udluftning i overensstemmelse med EN378-1.
- Sørg for at pakke rørene ind i isolering. Direkte kontakt med ubeklædte rør kan forårsage forbrændinger eller forfrysninger.
- Batterier må under ingen omstændigheder tages i munden for at forhindre utilsigtet indtagelse.
- Indtagelse af batterier kan forårsage kvælning og/eller forgiftning.
- Installer enheden på en fast struktur for at forhindre for høje driftslyde eller vibrationer.
- Det A-vægtede lydtrykniveau er under 70dB.
- Dette apparat er beregnet til at blive brugt af eksperter eller udlærte brugere i butikker, inden for let industri og på gårde eller til kommerciel anvendelse af lægmænd.

## <SVENSKA>

Engelska är originalspråket. De övriga språkversionerna är översättningar av originalet.

### ⚠ FÖRSIKTIGHET

- Köldmedelsläckage kan leda till kvävning. Tillhandahåll ventilation i enlighet med EN378-1.
- Kom ihåg att linda isolering runt rören. Direktekontakt med bara rör kan leda till brännskador eller köldskador.
- Stoppa aldrig batterier i munnen, de kan sväljas av misstag.
- Om ett batteri sväljs kan det leda till kvävning och/eller förgiftning.
- Montera enheten på ett stadigt underlag för att förhindra höga driftslyd och vibrationer.
- Den A-vägda ljudtrycksnivån är under 70dB.
- Denna apparat är ämnad för användning av experter eller utbildade användare i affärer, inom lätt industri och på lantbruk, eller för kommersiell användning av lekman.

## <TÜRKÇE>

Aslı İngilizce'dir. Diğer dillerdeki sürümler aslının çevirisidir.

### ⚠ DİKKAT

- Soğutucu kaçağı boğulmaya neden olabilir. EN378-1 uyarınca uygun havalandırma sağlayın.
- Borular etrafına yalıtım yapıldığından emin olun. Borulara doğrudan çıplak elle dokunulması yanıklara veya soğuk ısırıklarına neden olabilir.
- Kazara yutmamak için, piller kesinlikle hiçbir amaçla ağızınıza tutmayın.
- Pillerin yutulması boğulmaya ve/veya zehirlenmeye yol açabilir.
- Aşırı çalışma seslerini veya titreşimi önlemek için, üniteyi sağlam bir yapı üzerine monte edin.
- A ağırlıklı ses gücü seviyesi 70dB'nin altındadır.
- Bu cihaz atölyelerde, hafif endüstriyel tesislerde ve çiftliklerde uzman veya eğitilmiş kullanıcılar tarafından kullanılmak üzere veya normal kullanıcılar tarafından ticari kullanım için tasarlanmıştır.

## <РУССКИЙ>

Языком оригинала является английский. Версии на других языках являются переводом оригинала.

### ⚠ ОСТОРОЖНО

- Утечка хладагента может стать причиной удушья. Обеспечьте вентиляцию в соответствии с EN378-1.
- Обязательно оберните трубы изоляционной обмоткой. Непосредственный контакт с неизолированными трубопроводами может привести к ожогам или обморожению.
- Запрещается класть элементы питания в рот по каким бы то ни было причинам во избежание случайного проглатывания.
- Попадание элемента питания в пищеварительную систему может стать причиной удушья и/или отравления.
- Устанавливайте устройство на жесткую структуру во избежание чрезмерного шума или чрезмерной вибрации во время работы.
- Уровень звукового давления по шкале A составляет менее 70 дБ.
- Данное устройство предназначено для использования специалистами или обученным персоналом в магазинах, на предприятиях легкой промышленности и фермах или для коммерческого применения непрофессионалами.

## <NORSK>

Originalspråket er engelsk. De andre språkversjonene er oversettelseter av originalen.

### ⚠ FORSIKTIG

- Kjølemiddellekkasje kan forårsake kvælning. Sørg for ventilering i samsvar med EN378-1.
- Pass på at isoleringen pakkes godt rundt røret. Direkte kontakt med ukledte rør kan forårsake brannskader eller forfrysninger.
- Aldri plasser batteri i munnen, da dette kan medføre en risiko for at du svelger batteriet ved et uhell.
- Hvis du svelger et batteri, kan du risikere kvælning og/eller forgiftning.
- Installer enheten på en stabil struktur for å forhindre unødvendig mye driftsstøy eller vibrering.
- Det A-vektede lydtryknivået er under 70 dB.
- Dette apparatet er ment for bruk av eksperter eller faglært personell i butikker, lettindustri og på gårder, eller for kommersielt bruk av ikke-fagmenn.

## <SUOMI>

Englanninkielinen asiakirja on alkuperäinen. Muunkieliset versiot ovat alkuperäisen käännöksiä.

### ⚠ Huomio

- Kylmäaineen vuoto voi aiheuttaa tukehtumisen. Järjestä tuuletus standardin EN378-1 mukaisesti.
- Putkisto pitää eristää. Suora kosketus paljaaseen putkeen voi aiheuttaa palovamman tai paleltuman.
- Älä koskaan laita paristoja suuhun mistään syystä, jotta vältät tahattoman nielemisen.
- Pariston nieleminen voi aiheuttaa tukehtumisen ja/tai myrkytyksen.
- Asenna yksikkö tukevaan rakenteeseen estääksesi liiallisen, toiminnasta aiheutuvan, äänen tai värinän.
- A-painotettu äänenpainetaso on alle 70 dB.
- Tämä laite on tarkoitettu asiantuntijoiden tai koulutettujen käyttäjien käytettäväksi liikehuoneistoissa, kevyen teollisuuden tiloissa ja maataloilla tai maallikkojen kaupallisessa käytössä.



## <ČEŠTINA>

Originál je v angličtině. Ostatní jazykové verze jsou překladem originálu.

### ⚠ POZOR

- Únik chladicího média může způsobit udušení. Zajistěte větrání v souladu s normou EN 378-1.
- Potrubí omejte izolací. Přímý kontakt s obnaženým potrubím může způsobit popálení nebo omrzliny.
- Nikdy si z žádného důvodu nevkládejte baterie do úst, aby nedošlo k jejich polknutí.
- Polknutí baterie může způsobit dušení anebo otravu.
- Jednotku nainstalujte na pevnou konstrukci, aby nedocházelo ke vzniku nadměrného provozního hluku a vibrací.
- Hladina akustického tlaku je nižší než 70 dB.
- Toto zařízení je určeno pro prodejny, lehký průmysl a farmy, kde je musí obsluhovat odborníci a školení uživatelé, a pro komerční použití, kde je mohou obsluhovat laici.

## <POLSKI>

Językiem oryginału jest język angielski. Inne wersje językowe stanowią tłumaczenie oryginału.

### ⚠ UWAGA

- Wyciek czynnika chłodniczego może spowodować uduszenie. Należy zapewnić wentylację zgodnie z normą EN378-1.
- Należy pamiętać, aby owinać izolację wokół przewodów rurowych. Bezpośredni kontakt z niezabezpieczonymi przewodami rurowymi może doprowadzić do poparzeń lub odmrożeń.
- Nie wolno wkładać baterii do ust z jakiegokolwiek powodu, aby uniknąć przypadkowego połknięcia.
- Połknięcie baterii może spowodować zadławienie i/lub zatrucie.
- Zainstalować urządzenie na sztywnej konstrukcji, aby zapobiec nadmiernemu hałasowi i wibracjom.
- Poziom dźwięku A nie przekracza 70 dB.
- W sklepach, w przemyśle lekkim i w gospodarstwach rolnych urządzenie powinny obsługiwać profesjonalni lub przeszkoleni użytkownicy, a w środowisku handlowym mogą to być osoby nieposiadające fachowej wiedzy.

## <БЪЛГАРСКИ>

Оригиналът е текстът на английски език. Версиите на други езици са преводи на оригинала.

### ⚠ ВНИМАНИЕ

- Изтичането на хладилен агент може да причини задъшаване. Осигурете вентилация съобразно с EN378-1.
- Не забравяйте да поставите изолация на тръбите. Директният контакт с оголени тръби може да причини изгаряне или измръзване.
- При никакви обстоятелства не поставяйте батериите в устата си, в противен случай може да ги погълнете случайно.
- Поглъщането на батериите може да доведе до задавяне и/или отравяне.
- Монтирайте тялото върху твърда конструкция, за да предотвратите прекомерен шум или вибрации по време на работа.
- А-претегленото ниво на звуково налягане е под 70 dB.
- Този уред е предназначен за използване от експерти или обучени потребители в магазини, в леката промишленост и във ферми, или за търговска употреба от неспециалисти.

UNIT : mm  
 ( ) : HW112/140  
 W112

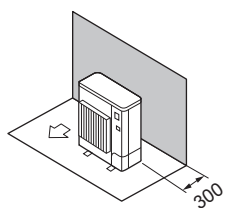


Fig. 2-5

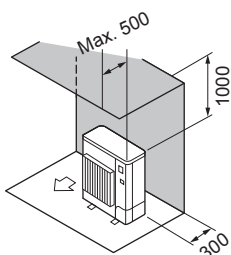


Fig. 2-6

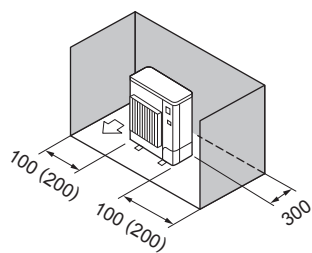


Fig. 2-7

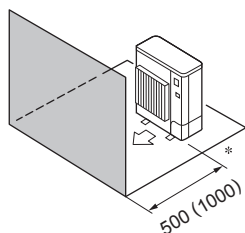


Fig. 2-8

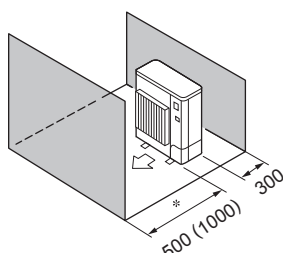


Fig. 2-9

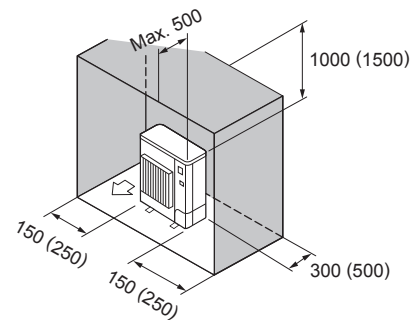


Fig. 2-10

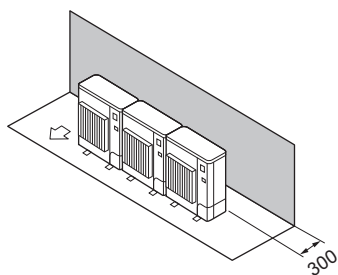


Fig. 2-11

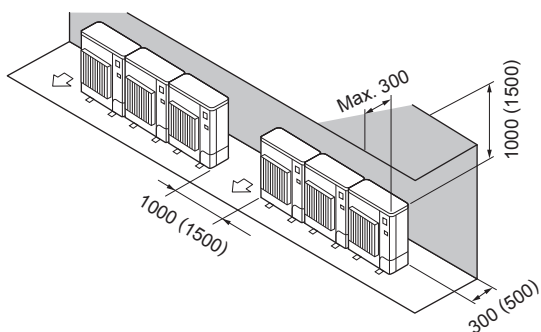


Fig. 2-12

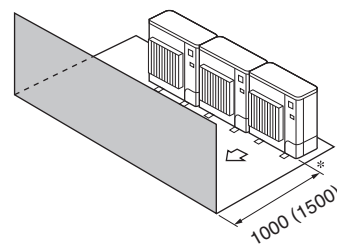


Fig. 2-13

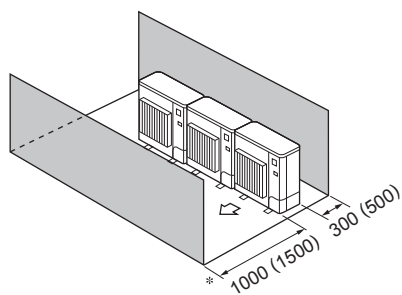


Fig. 2-14

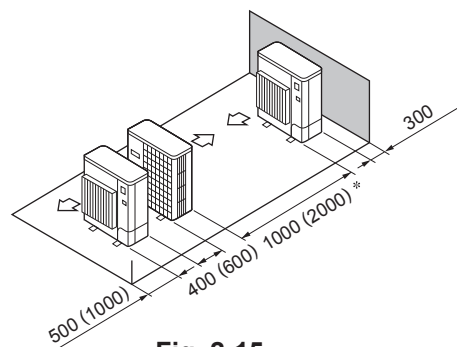


Fig. 2-15

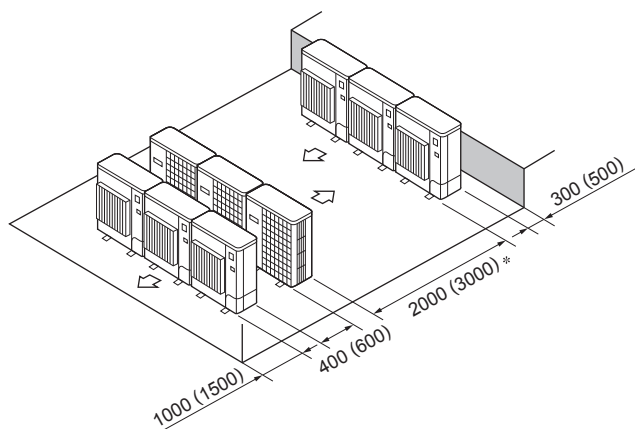


Fig. 2-16

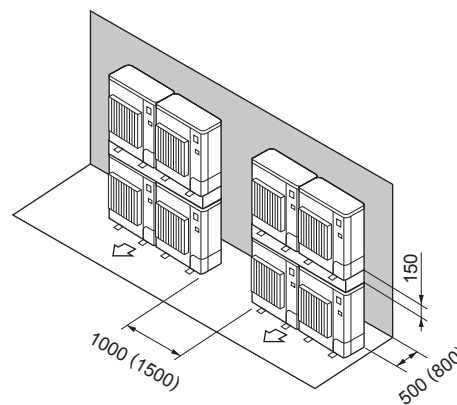


Fig. 2-17

This product is designed and intended for use in the residential,  
commercial and light-industrial environment.

Importer:

Mitsubishi Electric Europe B.V.  
Capronilaan 46, 1119 NS, Schiphol Rijk, The Netherlands

French Branch  
25, Boulevard des Bouvets, 92741 Nanterre Cedex, France

German Branch  
Mitsubishi-Electric-Platz 1, 40882 Ratingen, Germany

Belgian Branch  
Autobaan 2, 8210 Loppem, Belgium

Irish Branch  
Westgate Business Park, Ballymount, Dublin 24, Ireland

Italian Branch  
Centro Direzionale Colleoni, Palazzo Sirio-Ingresso 1 Viale Colleoni 7, 20864 Agrate Brianza  
(MB), Italy

Norwegian Branch  
Gneisveien 2D, 1914 Ytre Enebakk, Norway

Portuguese Branch  
Avda. do Forte, 10, 2799-514, Carnaxide, Lisbon, Portugal

Spanish Branch  
Carretera de Rubi 76-80 - Apdo. 420 08173 Sant Cugat del Valles (Barcelona), Spain

Scandinavian Branch  
Hammarbacken 14, P.O. Box 750 SE-19127, Sollentuna, Sweden

UK Branch  
Travellers Lane, Hatfield, Herts., AL10 8XB, England, U.K.

Polish Branch  
Krakowska 50, PL-32-083 Balice, Poland

MITSUBISHI ELECTRIC TURKEY ELEKTRİK ÜRÜNLERİ A.Ş.  
Şerifali Mah. Kale Sok. No: 41 34775 Ümraniye, İstanbul / Turkey

MITSUBISHI ELECTRIC (RUSSIA) LLC  
52, bld.1 Kosmodamianskaya Nab. 115054, Moscow, Russia