

Air-Conditioners

PUMY-P100, P125, P140VHMB

For use with R410A

INSTALLATION MANUAL

For safe and correct use, read this manual and the indoor unit installation manual thoroughly before installing the air-conditioner unit.

FOR INSTALLER

English (GB)

INSTALLATIONSHANDBUCH

Aus Sicherheitsgründen und zur richtigen Verwendung vor der Installation die vorliegende Bedienungsanleitung und die Installationsanleitung der Innenanlage gründlich durchlesen die Klimaanlage.

FÜR INSTALLATEURE

Deutsch (D)

MANUEL D'INSTALLATION

Avant d'installer le climatiseur, lire attentivement ce manuel, ainsi que le manuel d'installation de l'appareil intérieur pour une utilisation sûre et correcte.

POUR L'INSTALLATEUR

Français (F)

INSTALLATIEHANDLEIDING

Lees deze handleiding en de installatiehandleiding van het binnenapparaat zorgvuldig door voordat u met het installeren van de airconditioner begint.

VOOR DE INSTALLATEUR

Nederlands (NL)

MANUAL DE INSTALACIÓN

Para un uso correcto y seguro, lea detalladamente este manual y el manual de instalación de la unidad interior antes de instalar la unidad de aire acondicionado.

PARA EL INSTALADOR

Español (E)

MANUALE DI INSTALLAZIONE

Per un uso sicuro e corretto, leggere attentamente il presente manuale ed il manuale d'installazione dell'unità interna prima di installare il condizionatore d'aria.

PER L'INSTALLATORE

Italiano (I)

ΕΓΧΕΙΡΙΔΙΟ ΟΔΗΓΙΩΝ ΕΓΚΑΤΑΣΤΑΣΗΣ

Για σωστή και ασφαλή χρήση, διαβάστε προσεκτικά αυτό το εγχειρίδιο καθώς και το εγχειρίδιο εγκατάστασης της εσωτερικής μονάδας, προτού εγκαταστήσετε τη μονάδα του κλιματιστικού.

ΓΙΑ ΑΥΤΟΝ ΠΟΥ ΚΑΝΕΙ ΤΗΝ ΕΓΚΑΤΑΣΤΑΣΗ

Ελληνικά (GR)

MANUAL DE INSTALAÇÃO

Para uma utilização segura e correcta, leia atentamente este manual e o manual de instalação da unidade interior antes de instalar o aparelho de ar condicionado.

PARA O INSTALADOR

Português (P)

INSTALLATIONSMANUAL

Læs af sikkerhedshensyn denne manual samt manualen til installation af indendørsenheden grundigt, før du installerer klimaanlægget.

TIL INSTALLATØREN

Dansk (DA)

INSTALLATIONSMANUAL

Läs bruksanvisningen och inomhusenhetens installationshandbok noga innan luftkonditioneringen installeras så att den används på ett säkert och korrekt sätt.

FÖR INSTALLATÖREN

Svenska (SW)

MONTAJ ELKİTABI

Emniyetli ve doğru kullanım için, klima cihazını monte etmeden önce bu kılavuzu ve iç ünite montaj kılavuzunu tamamiyle okuyun.

MONTÖR İÇİN

Türkçe (TR)

РУКОВОДСТВО ПО УСТАНОВКЕ

Для обеспечения безопасной и надлежащей эксплуатации внимательно прочтите данное руководство и руководство по установке внутреннего прибора перед установкой кондиционера.

ДЛЯ УСТАНОВИТЕЛЯ

Русский (RU)

Contents

1. Safety precautions.....	2	5. Drainage piping work.....	9
2. Installation location.....	4	6. Electrical work	9
3. Installing the outdoor unit	6	7. Test run.....	12
4. Installing the refrigerant piping	6		



Note: This symbol mark is for EU countries only.

This symbol mark is according to the directive 2002/96/EC Article 10 Information for users and Annex IV.

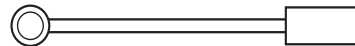
Your MITSUBISHI ELECTRIC product is designed and manufactured with high quality materials and components which can be recycled and reused. This symbol means that electrical and electronic equipment, at their end-of-life, should be disposed of separately from your household waste. Please, dispose of this equipment at your local community waste collection/recycling centre. In the European Union there are separate collection systems for used electrical and electronic product. Please, help us to conserve the environment we live in!

⚠ Caution:

- Do not vent R410A into the Atmosphere:
- R410A is a Fluorinated Greenhouse gas, covered by the Kyoto Protocol, with a Global Warming Potential (GWP)=1975.

Confirmation of parts attached

In addition to this manual, the following parts are supplied with the outdoor unit. They are used for grounding the S terminals of transmission terminal blocks TB3, TB7. For details refer to "6. Electrical work".



Grounding lead wire (× 2)

1. Safety precautions

- ▶ Before installing the unit, make sure you read all the "Safety precautions".
- ▶ Please report to or take consent by the supply authority before connection to the system.
- ▶ Equipment complying with IEC/EN 61000-3-12

⚠ Warning:

Describes precautions that must be observed to prevent danger of injury or death to the user.

⚠ Caution:

Describes precautions that must be observed to prevent damage to the unit.

⚠ Warning:

- The unit must not be installed by the user. Ask a dealer or an authorized technician to install the unit. If the unit is installed incorrectly, water leakage, electric shock, or fire may result.
- For installation work, follow the instructions in the Installation Manual and use tools and pipe components specifically made for use with R410A refrigerant. The R410A refrigerant in the HFC system is pressurized 1.6 times the pressure of usual refrigerants. If pipe components not designed for R410A refrigerant are used and the unit is not installed correctly, the pipes may burst and cause damage or injuries. In addition, water leakage, electric shock, or fire may result.
- The unit must be installed according to the instructions in order to minimize the risk of damage from earthquakes, typhoons, or strong winds. An incorrectly installed unit may fall down and cause damage or injuries.
- The unit must be securely installed on a structure that can sustain its weight. If the unit is mounted on an unstable structure, it may fall down and cause damage or injuries.
- If the air conditioner is installed in a small room, measures must be taken to prevent the refrigerant concentration in the room from exceeding the safety limit in the event of refrigerant leakage. Consult a dealer regarding the appropriate measures to prevent the allowable concentration from being exceeded. Should the refrigerant leak and cause the concentration limit to be exceeded, hazards due to lack of oxygen in the room may result.
- Ventilate the room if refrigerant leaks during operation. If refrigerant comes into contact with a flame, poisonous gases will be released.
- All electric work must be performed by a qualified technician according to local regulations and the instructions given in this manual. The units must be powered by dedicated power lines and the correct voltage and circuit breakers must be used. Power lines with insufficient capacity or incorrect electrical work may result in electric shock or fire.
- Use C1220 copper phosphorus, for copper and copper alloy seamless pipes, to connect the refrigerant pipes. If the pipes are not connected correctly, the unit will not be properly grounded and electric shock may result.

After installation work has been completed, explain the "Safety Precautions," use, and maintenance of the unit to the customer according to the information in the Operation Manual and perform the test run to ensure normal operation. Both the Installation Manual and Operation Manual must be given to the user for keeping. These manuals must be passed on to subsequent users.



: Indicates a part which must be grounded.

⚠ Warning:

Carefully read the labels affixed to the main unit.

- Use only specified cables for wiring. The wiring connections must be made securely with no tension applied on the terminal connections. Also, never splice the cables for wiring (unless otherwise indicated in this document). Failure to observe these instructions may result in overheating or a fire.
- The terminal block cover panel of the outdoor unit must be firmly attached. If the cover panel is mounted incorrectly and dust and moisture enter the unit, electric shock or fire may result.
- When installing or relocating, or servicing the air conditioner, use only the specified refrigerant (R410A) to charge the refrigerant lines. Do not mix it with any other refrigerant and do not allow air to remain in the lines. If air is mixed with the refrigerant, then it can be the cause of abnormal high pressure in the refrigerant line, and may result in an explosion and other hazards. The use of any refrigerant other than that specified for the system will cause mechanical failure or system malfunction or unit breakdown. In the worst case, this could lead to a serious impediment to securing product safety.
- Use only accessories authorized by Mitsubishi Electric and ask a dealer or an authorized technician to install them. If accessories are incorrectly installed, water leakage, electric shock, or fire may result.
- Do not alter the unit. Consult a dealer for repairs. If alterations or repairs are not performed correctly, water leakage, electric shock, or fire may result.
- The user should never attempt to repair the unit or transfer it to another location. If the unit is installed incorrectly, water leakage, electric shock, or fire may result. If the air conditioner must be repaired or moved, ask a dealer or an authorized technician.
- After installation has been completed, check for refrigerant leaks. If refrigerant leaks into the room and comes into contact with the flame of a heater or portable cooking range, poisonous gases will be released.

1. Safety precautions

1.1. Before installation

⚠ Caution:

- Do not use the unit in an unusual environment. If the air conditioner is installed in areas exposed to steam, volatile oil (including machine oil), or sulfuric gas, areas exposed to high salt content such as the seaside, or areas where the unit will be covered by snow, the performance can be significantly reduced and the internal parts can be damaged.
- Do not install the unit where combustible gases may leak, be produced, flow, or accumulate. If combustible gas accumulates around the unit, fire or explosion may result.
- The outdoor unit produces condensation during the heating operation. Make sure to provide drainage around the outdoor unit if such condensation is likely to cause damage.
- When installing the unit in a hospital or communications office, be prepared for noise and electronic interference. Inverters, home appliances, high-frequency medical equipment, and radio communications equipment can cause the air conditioner to malfunction or breakdown. The air conditioner may also affect medical equipment, disturbing medical care, and communications equipment, harming the screen display quality.

1.2. Before installation (relocation)

⚠ Caution:

- Be extremely careful when transporting the units. Two or more persons are needed to handle the unit, as it weighs 20 kg or more. Do not grasp the packaging bands. Wear protective gloves to remove the unit from the packaging and to move it, as you can injure your hands on the fins or other parts.
- Be sure to safely dispose of the packaging materials. Packaging materials, such as nails and other metal or wooden parts may cause stabs or other injuries.
- The base and attachments of the outdoor unit must be periodically checked for looseness, cracks or other damage. If such defects are left uncorrected, the unit may fall down and cause damage or injuries.
- Do not clean the air conditioner unit with water. Electric shock may result.
- Tighten all flare nuts to specification using a torque wrench. If tightened too much, the flare nut can break after an extended period and refrigerant can leak out.

1.3. Before electric work

⚠ Caution:

- Be sure to install circuit breakers. If not installed, electric shock may result.
- For the power lines, use standard cables of sufficient capacity. Otherwise, a short circuit, overheating, or fire may result.
- When installing the power lines, do not apply tension to the cables. If the connections are loosened, the cables can snap or break and overheating or fire may result.
- Be sure to ground the unit. Do not connect the ground wire to gas or water pipes, lighting rods, or telephone grounding lines. If the unit is not properly grounded, electric shock may result.
- Use circuit breakers (ground fault interrupter, isolating switch (+B fuse), and molded case circuit breaker) with the specified capacity. If the circuit breaker capacity is larger than the specified capacity, breakdown or fire may result.

1.4. Before starting the test run

⚠ Caution:

- Turn on the main power switch more than 12 hours before starting operation. Starting operation just after turning on the power switch can severely damage the internal parts. Keep the main power switch turned on during the operation season.
- Before starting operation, check that all panels, guards and other protective parts are correctly installed. Rotating, hot, or high voltage parts can cause injuries.
- Do not touch any switch with wet hands. Electric shock may result.
- Do not touch the refrigerant pipes with bare hands during operation. The refrigerant pipes are hot or cold depending on the condition of the flowing refrigerant. If you touch the pipes, burns or frostbite may result.
- After stopping operation, be sure to wait at least five minutes before turning off the main power switch. Otherwise, water leakage or breakdown may result.

1.5. Using R410A refrigerant air conditioners

⚠ Caution:

- Use C1220 copper phosphorus, for copper and copper alloy seamless pipes, to connect the refrigerant pipes. Make sure the insides of the pipes are clean and do not contain any harmful contaminants such as sulfuric compounds, oxidants, debris, or dust. Use pipes with the specified thickness. (Refer to page 6) Note the following if reusing existing pipes that carried R22 refrigerant.
 - Replace the existing flare nuts and flare the flared sections again.
 - Do not use thin pipes. (Refer to page 6)
- Store the pipes to be used during installation indoors and keep both ends of the pipes sealed until just before brazing. (Leave elbow joints, etc. in their packaging.) If dust, debris, or moisture enters the refrigerant lines, oil deterioration or compressor breakdown may result.
- Use ester oil, ether oil, alkylbenzene oil (small amount) as the refrigeration oil applied to the flared sections. If mineral oil is mixed in the refrigeration oil, oil deterioration may result.
- Do not use refrigerant other than R410A refrigerant. If another refrigerant is used, the chlorine will cause the oil to deteriorate.
- Use the following tools specifically designed for use with R410A refrigerant. The following tools are necessary to use R410A refrigerant. Contact your nearest dealer for any questions.

Tools (for R410A)	
Gauge manifold	Flare tool
Charge hose	Size adjustment gauge
Gas leak detector	Vacuum pump adapter
Torque wrench	Electronic refrigerant charging scale

- Be sure to use the correct tools. If dust, debris, or moisture enters the refrigerant lines, refrigeration oil deterioration may result.
- Do not use a charging cylinder. If a charging cylinder is used, the composition of the refrigerant will change and the efficiency will be lowered.

2. Installation location

2.1. Refrigerant pipe

Refer to Fig. 4-1.

2.2. Choosing the outdoor unit installation location

- Avoid locations exposed to direct sunlight or other sources of heat.
- Select a location from which noise emitted by the unit will not inconvenience neighbors.
- Select a location permitting easy wiring and pipe access to the power source and indoor unit.
- Avoid locations where combustible gases may leak, be produced, flow, or accumulate.
- Note that water may drain from the unit during operation.
- Select a level location that can bear the weight and vibration of the unit.
- Avoid locations where the unit can be covered by snow. In areas where heavy snow fall is anticipated, special precautions such as raising the installation location or installing a hood on the air intake must be taken to prevent the snow from blocking the air intake or blowing directly against it. This can reduce the airflow and a malfunction may result.
- Avoid locations exposed to oil, steam, or sulfuric gas.
- Use the transportation handles of the outdoor unit to transport the unit. If the unit is carried from the bottom, hands or fingers may be pinched.

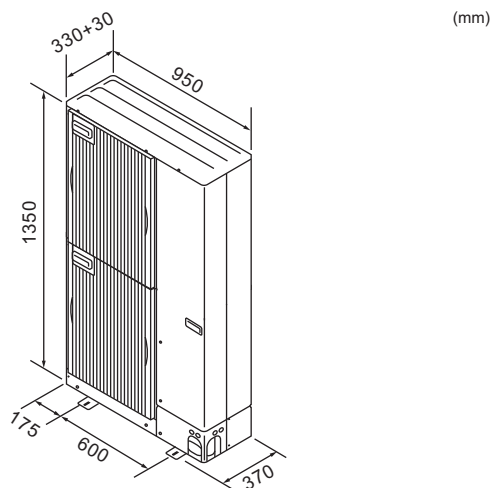


Fig. 2-1

Table 3 PWFY unit specifications

Model		PWFY-P100VM-E-AU
Temp. range of Heating	Outdoor temp.	-15 to 21°C (DB), -15 to 15°C (WB)
	Inlet Water temp.	10 to 45°C
Temp. range of Cooling	Outdoor temp.	-
	Inlet Water temp.	-

2.3. Outline dimensions (Outdoor unit) (Fig. 2-1)

Constraints on indoor unit installation

You should note that indoor units that can be connected to this outdoor unit are the following models.

- Indoor units with model numbers 15-140 (PUMY-P100:15-125) can be connected. Refer to the table 1 below for possible room, indoor unit combinations.

Verification

The rated capacity should be determined by observing the table below. The unit's quantities are limited as shown in the following table 2. For the next step, make sure that the total rated capacity selected will stay in a range of 50% - 130% of the outdoor unit capacity.

- PUMY-P100 5.6 - 14.6 kW
- PUMY-P125 7.1 - 18.2 kW
- PUMY-P140 8.0 - 20.2 kW

Table 1

Indoor unit type	15	20	25	32	40	50	63	71	80	100	125	140
Rated capacity (Cooling) (kW)	1.7	2.2	2.8	3.6	4.5	5.6	7.1	8.0	9.0	11.2	14.0	16.0

Table 2

Connectable indoor units quantities	
PUMY-P100	1-8
PUMY-P125	1-10
PUMY-P140	1-12*

Combinations in which the total capacity of indoor units exceeds the capacity of the outdoor unit will reduce the cooling capacity of each indoor unit below their rated cooling capacity. Thus, combine indoor units with an outdoor unit within the outdoor unit's capacity, if possible.

* Only when all the indoor units are 1.5 kW models, 12 indoor units can be connected to 1 outdoor unit.

2.4. Connecting a PWFY Unit

When using a PWFY unit as an indoor unit, be aware of the following points because the PWFY unit is different from other indoor units.

2.4.1. Connection restrictions

- Only 1 PWFY-P100VM-E-AU can be connected. PWFY-P200VM-E-AU and PWFY-P100VM-E-BU cannot be connected.
- The PWFY unit cannot be the only unit connected to an outdoor unit. Select an outdoor unit so that the total rated capacity of the indoor units, excluding the PWFY unit, is 50-100% of the outdoor unit capacity.

Limits for the total rated capacity of the indoor units when connecting a PWFY unit

- PUMY-P100 (1 PWFY unit + Non-PWFY units [5.6-11.2 kW])
- PUMY-P125 (1 PWFY unit + Non-PWFY units [7.1-14.0 kW])
- PUMY-P140 (1 PWFY unit + Non-PWFY units [8.0-15.5 kW])

2.4.2. Indoor unit specifications

When connecting a PWFY unit to a PUMY unit, the following specifications will change.

- The PWFY unit can operate only in heating mode. The PWFY unit cannot operate in cooling mode. However, the indoor units other than the PWFY unit can operate in cooling mode.
- The other indoor units cannot operate at the same time as the PWFY unit.
- The operation of the PWFY unit has priority. When the PWFY unit is in the operation mode, the other indoor units will stop.
- The temperature setting of the remote controller is the target value for the outlet water temperature.

2.4.3. Switch settings (Fig. 2-2)

When connecting a PWFY unit to a PUMY unit, set DIP switches SW1-1, SW4-2, and SW4-6 of the PWFY unit to ON.

2.4.4. Test run

If the test run is carried out using the outdoor unit switches, the PWFY unit will not operate. Carry out the test run using the PWFY unit switches or the remote controller.

For information about carrying out the test run, refer to the data book or the service manual for the PWFY unit.

2.4.5. Refrigerant collecting (Pump down)

Step ① in the pump down procedure instructs the user to "operate all indoor units in cooling mode". However, the PWFY unit will not operate in cooling mode. Operate all of the indoor units, excluding the PWFY unit, in cooling mode.

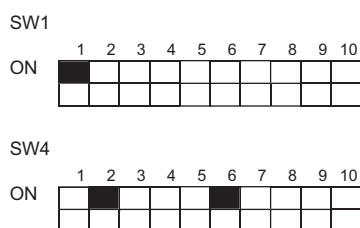


Fig. 2-2

2. Installation location

2.5. Ventilation and service space

2.5.1. When installing a single outdoor unit

Minimum dimensions are as follows, except for Max., meaning Maximum dimensions, indicated.

Refer to the figures for each case.

- ① Obstacles at rear only (Fig. 2-3)
- ② Obstacles at rear and above only (Fig. 2-4)
 - Do not install the optional air outlet guides for upward airflow.
- ③ Obstacles at rear and sides only (Fig. 2-5)
- ④ Obstacles at front only (Fig. 2-6)
 - * When using an optional air outlet guide, the clearance is 500 mm or more.
- ⑤ Obstacles at front and rear only (Fig. 2-7)
 - * When using an optional air outlet guide, the clearance is 500 mm or more.
- ⑥ Obstacles at rear, sides, and above only (Fig. 2-8)
 - Do not install the optional air outlet guides for upward airflow.

2.5.2. When installing multiple outdoor units

Leave 10 mm space or more between the units.

- ① Obstacles at rear only (Fig. 2-9)
- ② Obstacles at rear and above only (Fig. 2-10)
 - No more than three units must be installed side by side. In addition, leave space as shown.
 - Do not install the optional air outlet guides for upward airflow.
- ③ Obstacles at front only (Fig. 2-11)
 - * When using an optional air outlet guide, the clearance is 1000 mm or more.
- ④ Obstacles at front and rear only (Fig. 2-12)
 - * When using an optional air outlet guide, the clearance is 1000 mm or more.
- ⑤ Single parallel unit arrangement (Fig. 2-13)
 - * When using an optional air outlet guide installed for upward airflow, the clearance is 1000 mm or more.
- ⑥ Multiple parallel unit arrangement (Fig. 2-14)
 - * When using an optional air outlet guide installed for upward airflow, the clearance is 1500 mm or more.
- ⑦ Stacked unit arrangement (Fig. 2-15)
 - The units can be stacked up to two units high.
 - No more than two stacked units must be installed side by side. In addition, leave space as shown.

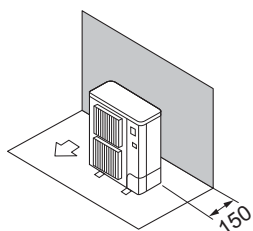


Fig. 2-3

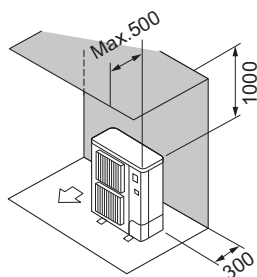


Fig. 2-4

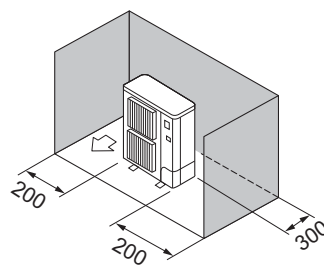


Fig. 2-5

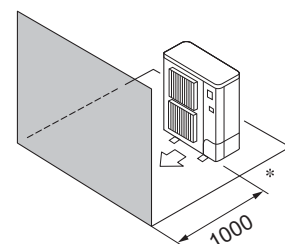


Fig. 2-6

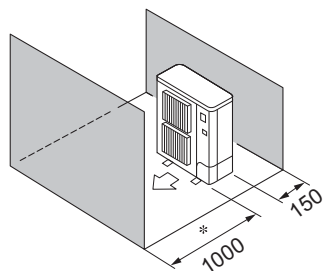


Fig. 2-7

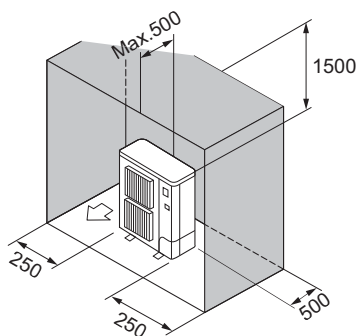


Fig. 2-8

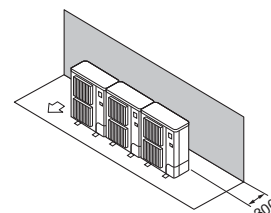


Fig. 2-9

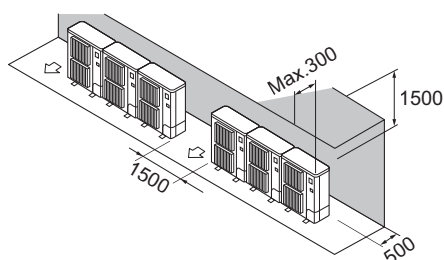


Fig. 2-10

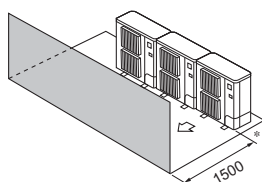


Fig. 2-11

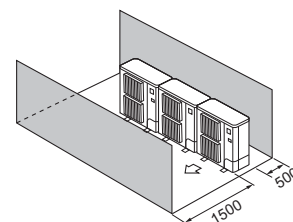


Fig. 2-12

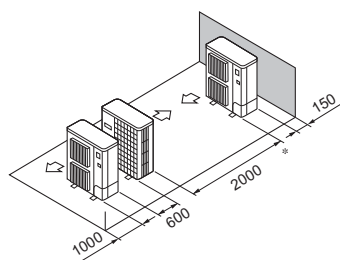


Fig. 2-13

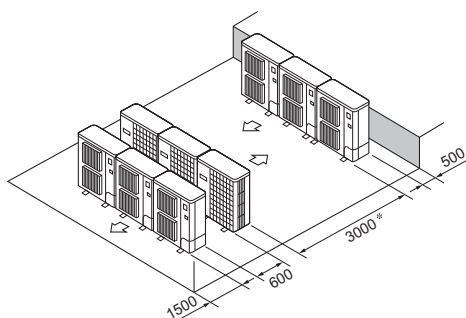


Fig. 2-14

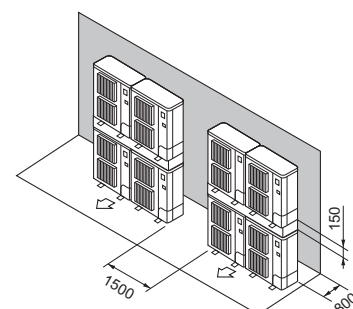


Fig. 2-15

2. Installation location

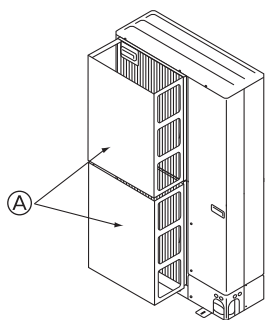


Fig. 2-16

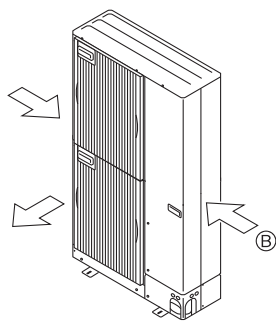


Fig. 2-17

2.5.3. Windy location installation

When installing the outdoor unit on a rooftop or other location unprotected from the wind, situate the air outlet of the unit so that it is not directly exposed to strong winds. Strong wind entering the air outlet may impede the normal airflow and a malfunction may result.

The following shows two examples of precautions against strong winds.

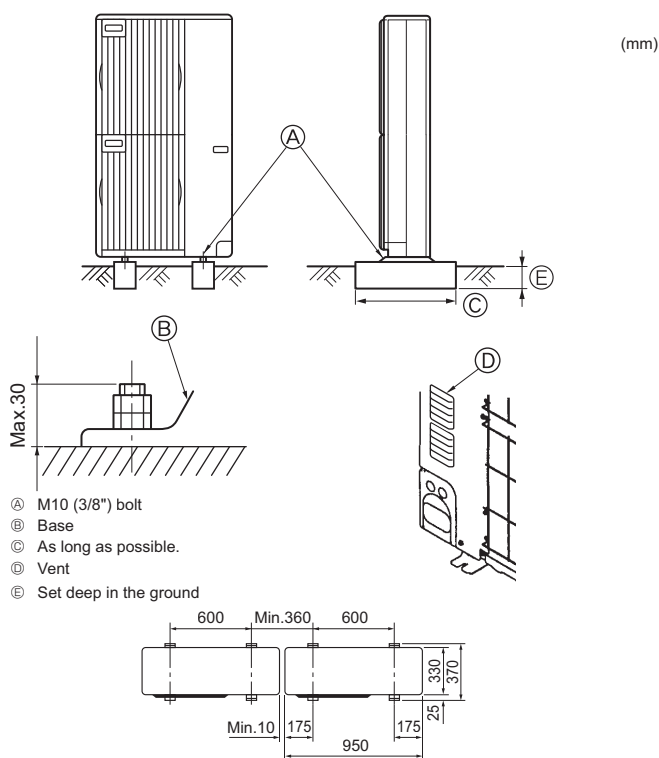
- ① Install an optional air guide if the unit is installed in a location where strong winds from a typhoon, etc. may directly enter the air outlet. (Fig. 2-16)

Ⓐ Air guide

- ② Position the unit so that the air outlet blows perpendicularly to the seasonal wind direction, if possible. (Fig. 2-17)

Ⓔ Wind direction

3. Installing the outdoor unit



- Ⓐ M10 (3/8") bolt
- Ⓑ Base
- Ⓒ As long as possible.
- Ⓓ Vent
- Ⓔ Set deep in the ground

Fig. 3-1

- Be sure to install the unit in a sturdy, level surface to prevent rattling noises during operation. (Fig. 3-1)

<Foundation specifications>

Foundation bolt	M10 (3/8")
Thickness of concrete	120 mm
Length of bolt	70 mm
Weight-bearing capacity	320 kg

- Make sure that the length of the foundation bolt is within 30 mm of the bottom surface of the base.
- Secure the base of the unit firmly with four-M10 foundation bolts in sturdy locations.

Installing the outdoor unit

- Do not block the vent. If the vent is blocked, operation will be hindered and breakdown may result.
- In addition to the unit base, use the installation holes on the back of the unit to attach wires, etc., if necessary to install the unit. Use self-tapping screws ($\phi 5 \times 15$ mm or less) and install on site.

⚠ Warning:

- The unit must be securely installed on a structure that can sustain its weight. If the unit is mounted on an unstable structure, it may fall down and cause damage or injuries.
- The unit must be installed according to the instructions in order to minimize the risk of damage from earthquakes, typhoons, or strong winds. An incorrectly installed unit may fall down and cause damage or injuries.

4. Installing the refrigerant piping

4.1. Precautions for devices that use R410A refrigerant

- Refer to page 3 for precautions not included below on using air conditioners with R410A refrigerant.
- Use ester oil, ether oil, alkylbenzene oil (small amount) as the refrigeration oil applied to the flared sections.
- Use C1220 copper phosphorus, for copper and copper alloy seamless pipes, to connect the refrigerant pipes. Use refrigerant pipes with the thicknesses specified in the table to the below. Make sure the insides of the pipes are clean and do not contain any harmful contaminants such as sulfuric compounds, oxidants, debris, or dust.

⚠ Warning:

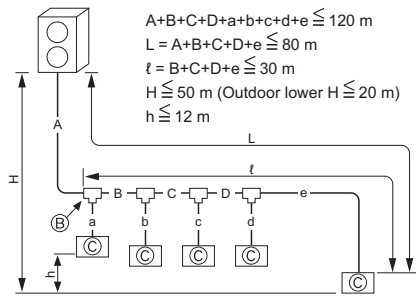
When installing or relocating, or servicing the air conditioner, use only the specified refrigerant (R410A) to charge the refrigerant lines. Do not mix it with any other refrigerant and do not allow air to remain in the lines.

If air is mixed with the refrigerant, then it can be the cause of abnormal high pressure in the refrigerant line, and may result in an explosion and other hazards. The use of any refrigerant other than that specified for the system will cause mechanical failure or system malfunction or unit breakdown. In the worst case, this could lead to a serious impediment to securing product safety.

Indoor unit type	15-50	63-140
Liquid pipe	$\phi 6.35$ thickness 0.8 mm	$\phi 9.52$ thickness 0.8 mm
Gas pipe	$\phi 12.7$ thickness 0.8 mm	$\phi 15.88$ thickness 1.0 mm

- Do not use pipes thinner than those specified above.

4. Installing the refrigerant piping



A (mm)

	Ⓐ Liquid pipe	Ⓑ Gas pipe
PUMY-P100-140	ø9.52	ø15.88

B, C, D (mm)

Ⓒ Total capacity of indoor units	Ⓐ Liquid pipe	Ⓑ Gas pipe
	ø9.52	ø15.88

a, b, c, d, e, f (mm)

Ⓓ Model number	Ⓐ Liquid pipe	Ⓑ Gas pipe
15, 20, 25, 32, 40, 50	ø6.35	ø12.7
63, 80, 100, 125, 140	ø9.52	ø15.88

Ⓔ Branch kit model	
CMY-Y62-G-E	

Ⓕ 4-Branching header	Ⓖ 8-Branching header
CMY-Y64-G-E	CMY-Y68-G-E

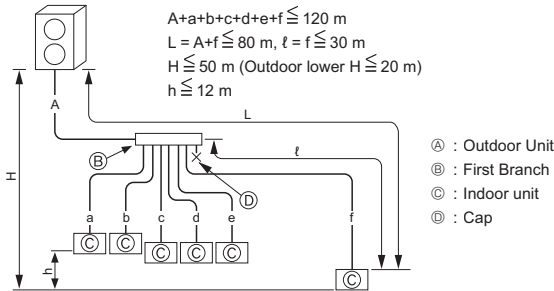
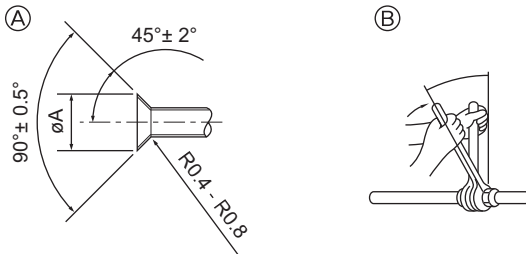


Fig. 4-1



Ⓐ Flare cutting dimensions
Ⓑ Flare nut tightening torque

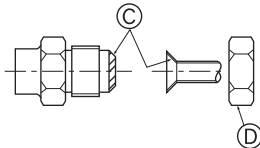


Fig. 4-2

Ⓐ (Fig. 4-2)

Copper pipe O.D. (mm)	Flare dimensions øA dimensions (mm)
ø6.35	8.7 - 9.1
ø9.52	12.8 - 13.2
ø12.7	16.2 - 16.6
ø15.88	19.3 - 19.7

Ⓑ (Fig. 4-2)

Copper pipe O.D. (mm)	Flare nut O.D. (mm)	Tightening torque (N·m)
ø6.35	17	14 - 18
ø6.35	22	34 - 42
ø9.52	22	34 - 42
ø12.7	26	49 - 61
ø12.7	29	68 - 82
ø15.88	29	68 - 82
ø15.88	36	100 - 120

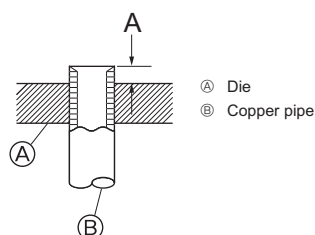


Fig. 4-3

4.2. Connecting pipes (Fig. 4-2)

Fig. 4-1 is a sample of piping system.

- When commercially available copper pipes are used, wrap liquid and gas pipes with commercially available insulation materials (heat-resistant to 120°C or more, thickness of 15 mm or more).
- The indoor parts of the drain pipe should be wrapped with polyethylene foam insulation materials (specific gravity of 0.03, thickness of 9 mm or more).
- Apply thin layer of refrigerant oil to pipe and joint seating surface before tightening flare nut. Ⓐ
- Use two wrenches to tighten piping connections. Ⓑ
- Use leak detector or soapy water to check for gas leaks after connections are completed.
- Apply refrigerating machine oil over the entire flare seat surface. Ⓒ
- Use the flare nuts for the following pipe size. Ⓓ

		Indoor unit		Outdoor unit
		15-50	63-140	100-140
Gas side	Pipe size (mm)	ø12.7	ø15.88	ø15.88
Liquid side	Pipe size (mm)	ø6.35	ø9.52	ø9.52

- When bending the pipes, be careful not to break them. Bend radius of 100 mm to 150 mm is sufficient.
- Make sure the pipes do not contact the compressor. Abnormal noise or vibration may result.

① Pipes must be connected starting from the indoor unit.

Flare nuts must be tightened with a torque wrench.

② Flare the liquid pipes and gas pipes and apply a thin layer of refrigeration oil (Applied on site).

When usual pipe sealing is used, refer to Table 3 for flaring of R410A refrigerant pipes.

The size adjustment gauge can be used to confirm A measurements.

⚠ **Warning:**

When installing the unit, securely connect the refrigerant pipes before starting the compressor.

Table 3 (Fig. 4-3)

Copper pipe O.D. (mm)	A (mm)	
	Flare tool for R410A	Flare tool for R22·R407C
	Clutch type	
ø6.35 (1/4")	0 - 0.5	1.0 - 1.5
ø9.52 (3/8")	0 - 0.5	1.0 - 1.5
ø12.7 (1/2")	0 - 0.5	1.0 - 1.5
ø15.88 (5/8")	0 - 0.5	1.0 - 1.5
ø19.05 (3/4")	0 - 0.5	1.0 - 1.5

4. Installing the refrigerant piping

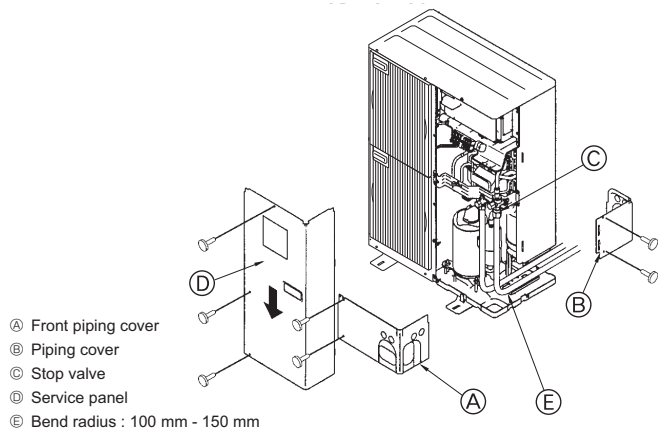


Fig. 4-4

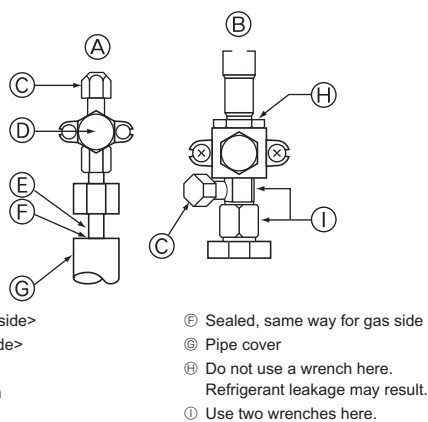


Fig. 4-5

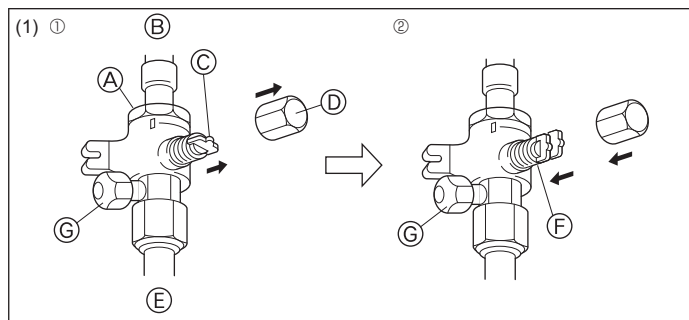


Fig. 4-6

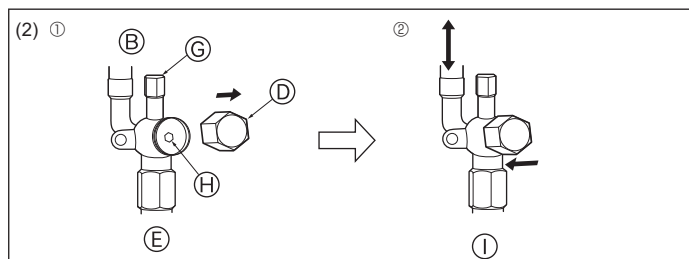


Fig. 4-7

4.3. Refrigerant piping (Fig. 4-4)

Remove the service panel (D) (three screws) and the front piping cover (A) (two screws) and rear piping cover (B) (two screws).

- ① Perform refrigerant piping connections for the indoor/outdoor unit when the outdoor unit's stop valve is completely closed.
- ② Vacuum-purge air from the indoor unit and the connection piping.
- ③ After connecting the refrigerant pipes, check the connected pipes and the indoor unit for gas leaks. (Refer to 4.4 Refrigerant pipe airtight testing method)
- ④ Vacuumize the refrigerant lines through the service port of the liquid and gas stop valves. And then open the stop valves completely (for both the liquid and gas stop valves). This will completely connect the refrigerant lines of the indoor and outdoor units.
 - If the stop valves are left closed and the unit is operated, the compressor and control valves will be damaged.
 - Use a leak detector or soapy water to check for gas leaks at the pipe connection sections of the outdoor unit.
 - Do not use the refrigerant from the unit to purge air from the refrigerant lines.
 - After the valve work is completed, tighten the valve caps to the correct torque: 20 to 25 N·m (200 to 250 kgf·cm). Failure to replace and tighten the caps may result in refrigerant leakage. In addition, do not damage the insides of the valve caps as they act as a seal to prevent refrigerant leakage.
- ⑤ Use sealant to seal the ends of the thermal insulation around the pipe connection sections to prevent water from entering the thermal insulation.

4.4. Refrigerant pipe airtight testing method

- (1) Connect the testing tools.
 - Make sure the stop valves (A) (B) are closed and do not open them.
 - Add pressure to the refrigerant lines through the service port (C) of the liquid stop valve (A) and the gas stop valve (B).
- (2) Do not add pressure to the specified pressure all at once; add pressure little by little.
 - ① Pressurize to 0.5 MPa (5 kgf/cm²G), wait five minutes, and make sure the pressure does not decrease.
 - ② Pressurize to 1.5 MPa (15 kgf/cm²G), wait five minutes, and make sure the pressure does not decrease.
 - ③ Pressurize to 4.15 MPa (41.5 kgf/cm²G) and measure the surrounding temperature and refrigerant pressure.
- (3) If the specified pressure holds for about one day and does not decrease, the pipes have passed the test and there are no leaks.
 - If the surrounding temperature changes by 1°C, the pressure will change by about 0.01 MPa (0.1 kgf/cm²G). Make the necessary corrections.
- (4) If the pressure decreases in steps (2) or (3), there is a gas leak. Look for the source of the gas leak.

4.5. Stop valve opening method

- (1) Gas side (Fig. 4-6)
 - ① Remove the cap, pull the handle toward you and rotate 1/4 turn in a counterclockwise direction to open.
 - ② Make sure that the stop valve is open completely, push in the handle and rotate the cap back to its original position.
 - (2) Liquid side (Fig. 4-7)
 - ① Remove the cap and turn the valve rod counterclockwise as far as it will go with the use of a 4 mm hexagonal wrench. Stop turning when it hits the stopper. (ø6.35: Approximately 4.5 revolutions) (ø9.52: Approximately 10 revolutions)
 - ② Make sure that the stop valve is open completely, push in the handle and rotate the cap back to its original position.
- A Valve
 B Unit side
 C Handle
 D Cap
 E Local pipe side
 F Open position side
 G Service port
 H Wrench hole
 I Refrigerant flow direction

Refrigerant pipes are protectively wrapped

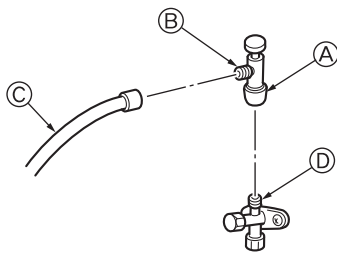
- The pipes can be protectively wrapped up to a diameter of ø90 before or after connecting the pipes. Cut out the knockout in the pipe cover following the groove and wrap the pipes.

Pipe inlet gap

- Use putty or sealant to seal the pipe inlet around the pipes so that no gaps remain.

(If the gaps are not closed, noise may be emitted or water and dust will enter the unit and breakdown may result.)

4. Installing the refrigerant piping



- * The figure to the left is an example only. The stop valve shape, service port position, etc., may vary according to the model.
- * Turn section ④ only.
(Do not further tighten sections ② and ③ together.)

③ Charge hose
④ Service port

Fig. 4-8

Precautions when using the charge valve (Fig.4-8)

Do not tighten the service port too much when installing it, otherwise, the valve core could be deformed and become loose, causing a gas leak.
After positioning section ③ in the desired direction, turn section ④ only and tighten it. Do not further tighten sections ② and ③ together after tightening section ④.

4.6. Additional refrigerant charge

Refrigerant of 3 kg equivalent to 50 m total extended piping length is already included when the outdoor unit is shipped. Thus, if the total extended piping length is 50 m or less, there is no need to charge with additional refrigerant.

Calculation of Additional Refrigerant Charge

- If the total extended piping length exceeds 50 m, calculate the required additional refrigerant charge using the procedure shown below.
- If the calculated additional refrigerant charge is a negative amount, do not charge with any refrigerant.

<Additional Charge>

Additional refrigerant charge	=	Liquid pipe size Total length of ø9.52 × 0.06	+	Liquid pipe size Total length of ø6.35 × 0.024	-	Refrigerant amount for outdoor unit
(kg)		(m) × 0.06 (kg/m)		(m) × 0.024 (kg/m)		3.0 kg

<Example>

Outdoor model : 125

Indoor 1 : 63	A : ø9.52	30 m	a : ø9.52	15 m	} At the conditions below:
2 : 40			b : ø6.35	10 m	
3 : 25			c : ø6.35	10 m	
4 : 20			d : ø6.35	20 m	

The total length of each liquid line is as follows

ø9.52 : A + a = 30 + 15 = 45 m

ø6.35 : b + c + d = 10 + 10 + 20 = 40 m

Therefore,

<Calculation example>

Additional refrigerant charge

= 45 × 0.06 + 40 × 0.024 - 3.0 = 0.7 kg (rounded up)

5. Drainage piping work

Outdoor unit drainage pipe connection

When drain piping is necessary, use the drain socket or the drain pan (option).

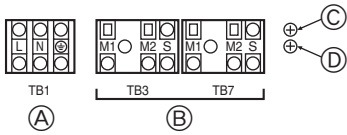
	P100-140
Drain socket	PAC-SG61DS-E
Drain pan	PAC-SG64DP-E

6. Electrical work

6.1. Caution

- ① Follow ordinance of your governmental organization for technical standard related to electrical equipment, wiring regulations and guidance of each electric power company.
- ② Wiring for control (hereinafter referred to as transmission line) shall be (5 cm or more) apart from power source wiring so that it is not influenced by electric noise from power source wiring. (Do not insert transmission line and power source wire in the same conduit.)
- ③ Be sure to provide designated grounding work to outdoor unit.
- ④ Give some allowance to wiring for electrical part box of indoor and outdoor units, because the box is sometimes removed at the time of service work.
- ⑤ Never connect the main power source to terminal block of transmission line. If connected, electrical parts will be burnt out.
- ⑥ Use 2-core shield cable for transmission line. If transmission lines of different systems are wired with the same multicore cable, the resultant poor transmitting and receiving will cause erroneous operations.
- ⑦ Only the transmission line specified should be connected to the terminal block for outdoor unit transmission.
(Transmission line to be connected with indoor unit : Terminal block TB3 for transmission line, Other : Terminal block TB7 for centralized control)
Erroneous connection does not allow the system to operate.
- ⑧ In case to connect with the upper class controller or to conduct group operation in different refrigerant systems, the control line for transmission is required between the outdoor units each other.
Connect this control line between the terminal blocks for centralized control. (2-wire line with no polarity)
When conducting group operation in different refrigerant systems without connecting to the upper class controller, replace the insertion of the short circuit connector from CN41 of one outdoor unit to CN40.
- ⑨ Group is set by operating the remote controller.

6. Electrical work



- (A) : Power source
 (B) : Transmission line
 (C) : Screw on the electrical component box
 (D) : Screw on the electrical component box

Fig. 6-1

6.2. Control box and connecting position of wiring (Fig. 6-1)

- Connect the indoor unit transmission line to transmission terminal block (TB3), or connect the wiring between outdoor units or the wiring with the centralized control system to the centralized control terminal block (TB7).
 When using shielded wiring, connect shield ground of the indoor unit transmission line to the screw (C or D) and connect shield ground of the line between outdoor units and the central control system transmission line to the shield (S) terminal of the centralized control terminal block (TB7) shield (S) terminal. In addition, in the case of outdoor units whose power supply connector CN41 has been replaced by CN40, the shield terminal (S) of terminal block (TB7) of the centralized control system should also be connected to the screw C or D using attached lead wire.
- Conduit mounting plates (ø27) are being provided. Pass the power supply and transmission wires through the appropriate knock-out holes, then remove the knock-out piece from the bottom of the terminal box and connect the wires.
- Fix power source wiring to terminal box by using buffer bushing for tensile force (PG connection or the like).

6.3. Wiring transmission cables

① Types of control cables

1. Wiring transmission cables

- Types of transmission cables: Shielding wire CVVS or CPEVS or MVVS
- Cable diameter: More than 1.25 mm²
- Maximum wiring length: Within 200 m

2. M-NET Remote control cables

Kind of remote control cable	Shielding wire (2-core) CVVS, CPEVS or MVVS
Cable diameter	0.5 to 1.25 mm ²
Remarks	When 10 m is exceeded, use cable with the same specifications as transmission line wiring.

3. MA Remote control cables

Kind of remote control cable	Sheathed 2-core cable (unshielded) CVV
Cable diameter	0.3 to 1.25 mm ² (0.75 to 1.25 mm ²)*
Remarks	Within 200 m

* Connected with simple remote controller.

② Wiring examples

- Controller name, symbol and allowable number of controllers.

Name	Symbol	Allowable number of controllers	
Outdoor unit controller	OC	-	
Indoor unit controller	IC	PUMY-P100	1 to 8 units per 1 OC
		PUMY-P125	1 to 10 units per 1 OC
		PUMY-P140	1 to 12 units per 1 OC
Remote controller	RC (M-NET)	Maximum of 12 controllers for 1 OC	
	RC MA	Maximum of 2 per group	

Example of a group operation system with multiple outdoor units (Shielding wires and address setting are necessary.)

<Examples of Transmission Cable Wiring>

■ M-NET Remote Controller (Fig. 6-2)

■ MA Remote Controller (Fig. 6-3)

<Wiring Method and Address Settings>

- Always use shielded wire when making connections between the outdoor unit (OC) and the indoor unit (IC), as well for all OC-OC, and IC-IC wiring intervals.
- Use feed wiring to connect terminals M1 and M2 and the ground terminal on the transmission cable terminal block (TB3) of each outdoor unit (OC) to terminals M1, M2 and terminal S on the transmission cable block of the indoor unit (IC).
- Connect terminals 1 (M1) and 2 (M2) on the transmission cable terminal block of the indoor unit (IC) that has the most recent address within the same group to the terminal block on the remote controller (RC).
- Connect together terminals M1, M2 and terminal S on the terminal block for central control (TB7) for the outdoor unit (OC).
- The jumper connector CN41 on the control panel does not change.
- Connect shield ground of the indoor units transmission line to the shield (S) terminal of (TB3) and also connect (S) terminal to screw C or D using attached lead wire. Connect shield ground of the line between outdoor units and the central control system transmission line to the shield (S) terminal of (TB7).
- Set the address setting switch as follows.

Unit	Range	Setting Method
IC (Main)	01 to 50	Use the most recent address within the same group of indoor units
IC (Sub)	01 to 50	Use an address, other than that of the IC (Main) from among the units within the same group of indoor units. This must be in sequence with the IC (Main)
Outdoor Unit	51 to 100	Use the most recent address of all the indoor units plus 50 * The address automatically becomes "100" if it is set as "01 - 50".
M-NET R/C (Main)	101 to 150	Set at an IC (Main) address within the same group plus 100
M-NET R/C (Sub)	151 to 200	Set at an IC (Main) address within the same group plus 150
MA R/C	-	Unnecessary address setting (Necessary main/sub setting)

- The group setting operations among the multiple indoor units is done by the remote controller (RC) after the electrical power has been turned on.

i. When connecting a PWFY unit

- Do not perform the group settings for the PWFY unit and the indoor units.
- The PWFY unit and a Lossnay unit cannot be set to operate at the same time.
- Use a WMA remote controller for the PWFY unit.

For details, refer to the installation manual for the PWFY unit.

<Permissible Lengths>

① M-NET Remote controller

- Max length via outdoor units: L1+L2+L3+L4 and L1+L2+L3+L5 and L1+L2+L6+L7 ≤ 500 m (1.25 mm² or more)
- Max transmission cable length: L1 and L3+L4 and L3+L5 and L6 and L2+L6 and L7 ≤ 200 m (1.25 mm² or more)
- Remote controller cable length: ℓ1, ℓ2, ℓ2+ℓ3, ℓ4 ≤ 10 m (0.5 to 1.25 mm²)
 If the length exceeds 10 m, use a 1.25 mm² shielded wire. The length of this section (L8) should be included in the calculation of the maximum length and overall length.

② MA Remote controller

- Max length via outdoor unit (M-NET cable): L1+L2+L3+L4 and L1+L2+L6+L7 ≤ 500 m (1.25 mm² or more)
- Max transmission cable length (M-NET cable): L1 and L3+L4 and L6 and L2+L6 and L7 ≤ 200 m (1.25 mm² or more)
- Remote controller cable length: m1 and m1+m2 +m3 and m1+m2+m3+m4 ≤ 200 m (0.3 to 1.25 mm²)

6. Electrical work

■ M-NET Remote Controller

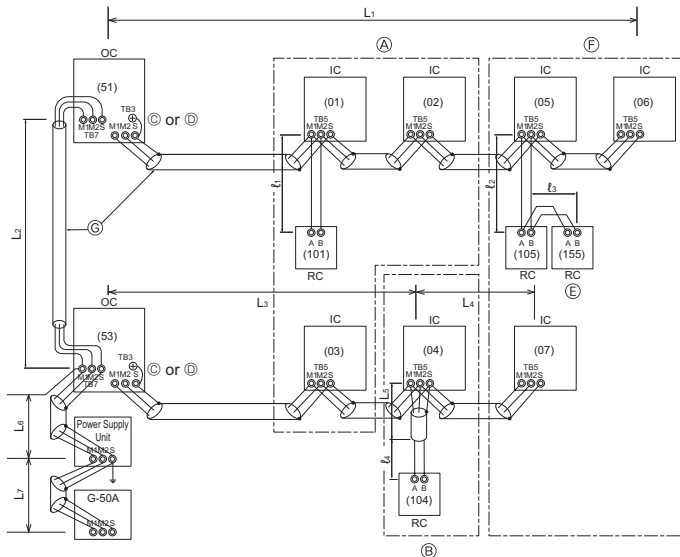


Fig. 6-2

- (A) : Group
- (B) : Group
- (C) : Screw on the electrical component box
- (D) : Screw on the electrical component box
- (E) : Sub Remote Controller
- (F) : Group
- () : Shielded Wire
- () : Address

■ MA Remote Controller

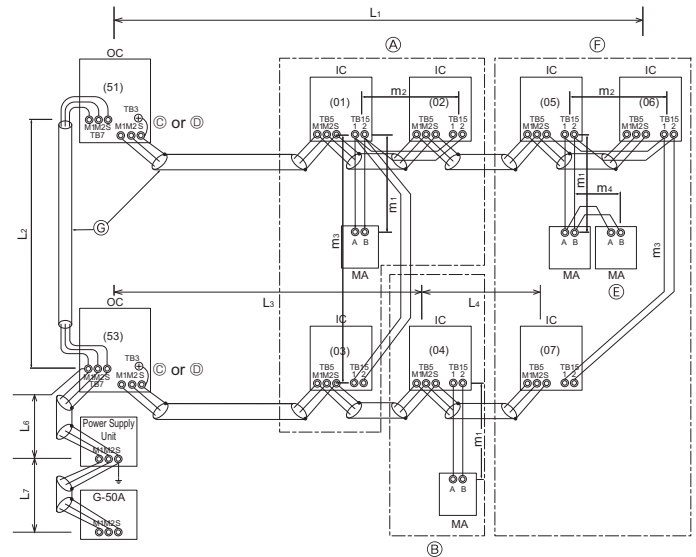
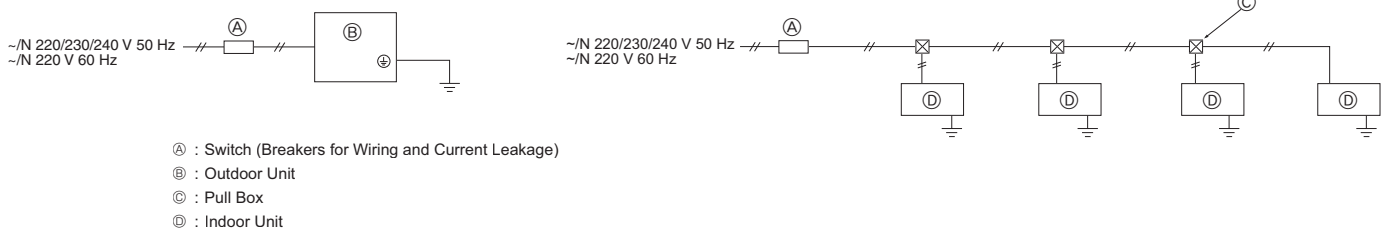


Fig. 6-3

6.4. Wiring of main power supply and equipment capacity

Schematic Drawing of Wiring (Example) (Fig. 6-4)



- (A) : Switch (Breakers for Wiring and Current Leakage)
- (B) : Outdoor Unit
- (C) : Pull Box
- (D) : Indoor Unit

Fig. 6-4

Thickness of Wire for Main Power Supply and On/Off Capacities

Model	Power Supply	Minimum Wire Thickness (mm ²)			Breaker for Wiring*1	Breaker for Current Leakage
		Main Cable	Branch	Ground		
Outdoor Unit	~N 220/230/240 V 50 Hz ~N 220 V 60 Hz ²	5.5(6)	—	5.5(6)	32 A	32 A 30 mA 0.1 sec. or less
Indoor Unit	~N 220/230/240 V 50 Hz ~N 220 V 60 Hz	1.5	1.5	1.5	15 A	15 A 30 mA 0.1 sec. or less

*1. A breaker with at least 3.0 mm contact separation in each poles shall be provided. Use non-fuse breaker (NF) or earth leakage breaker (NV).

*2. Max. Permissible System Impedance 0.22 (Ω).

1. Use a separate power supply for the outdoor unit and indoor unit.
2. Bear in mind ambient conditions (ambient temperature, direct sunlight, rain water, etc.) when proceeding with the wiring and connections.
3. The wire size is the minimum value for metal conduit wiring. The power cord size should be 1 rank thicker consideration of voltage drops. Make sure the power-supply voltage does not drop more than 10%.
4. Specific wiring requirements should adhere to the wiring regulations of the region.
5. Power supply cords of parts of appliances for outdoor use shall not be lighter than polychloroprene sheathed flexible cord (design 60245 IEC57). For example, use wiring such as YZW.
6. Install an earth longer than other cables.

⚠ Warning:

- Be sure to use specified wires to connect so that no external force is imparted to terminal connections. If connections are not fixed firmly, it may cause heating or fire.
- Be sure to use the appropriate type of overcurrent protection switch. Note that generated overcurrent may include some amount of direct current.

⚠ Caution:

- Some installation site may require attachment of an earth leakage breaker. If no earth leakage breaker is installed, it may cause an electric shock.
- Do not use anything other than breaker and fuse with correct capacity. Using fuse and wire or copper wire with too large capacity may cause a malfunction of unit or fire.

IMPORTANT

Make sure that the current leakage breaker is one compatible with higher harmonics. Always use a current leakage breaker that is compatible with higher harmonics as this unit is equipped with an inverter. The use of an inadequate breaker can cause the incorrect operation of inverter.

Never splice the power cable or the indoor-outdoor connection cable, otherwise it may result in a smoke, a fire or communication failure.

7. Test run

7.1. Before test run

- ▶ After completing installation and the wiring and piping of the indoor and outdoor units, check for refrigerant leakage, looseness in the power supply or control wiring, wrong polarity, and no disconnection of one phase in the supply.
 - ▶ Use a 500-volt M-ohm tester to check that the resistance between the power supply terminals and ground is at least 1 MΩ.
 - ▶ Do not carry out this test on the control wiring (low voltage circuit) terminals.
- ⚠ **Warning:**
Do not use the air conditioner if the insulation resistance is less than 1 MΩ.

Insulation resistance

After installation or after the power source to the unit has been cut for an extended period, the insulation resistance will drop below 1 MΩ due to refrigerant accumulating in the compressor. This is not a malfunction. Perform the following procedures.

1. Remove the wires from the compressor and measure the insulation resistance of the compressor.
2. If the insulation resistance is below 1 MΩ, the compressor is faulty or the resistance dropped due to the accumulation of refrigerant in the compressor.

3. After connecting the wires to the compressor, the compressor will start to warm up after power is supplied. After supplying power for the times indicated below, measure the insulation resistance again.
 - The insulation resistance drops due to accumulation of refrigerant in the compressor. The resistance will rise above 1 MΩ after the compressor is warmed up for four hours.
(The time necessary to warm up the compressor varies according to atmospheric conditions and refrigerant accumulation.)
 - To operate the compressor with refrigerant accumulated in the compressor, the compressor must be warmed up at least 12 hours to prevent breakdown.
4. If the insulation resistance rises above 1 MΩ, the compressor is not faulty.

⚠ **Caution:**

- **The compressor will not operate unless the power supply phase connection is correct.**
 - **Turn on the power at least 12 hours before starting operation.**
- Starting operation immediately after turning on the main power switch can result in severe damage to internal parts. Keep the power switch turned on during the operational season.

▶ **The followings must be checked as well.**

- The outdoor unit is not faulty. LED on the control board of the outdoor unit flash when the outdoor unit is faulty.
- Both the gas and liquid stop valves are completely open.

7.2. Test run

7.2.1. Using remote controller

Refer to the indoor unit installation manual.

- Be sure to perform the test run for each indoor unit. Make sure each indoor unit operates properly following the installation manual attached to the unit.
- If you perform the test run for all indoor units at once, you cannot detect any erroneous connection, if any, of the refrigerant pipes and the connecting wires.
- * The compressor operation is not available for 3 minutes at least after the power is supplied.
- The compressor can emit noise just after turn on the power supply or in case of low outside air temperature.

About the restart protective mechanism

Once the compressor stops, the restart preventive device operates so the compressor will not operate for 3 minutes to protect the air conditioner.

7.2.2. Using SW3 in outdoor unit

Note:

In case of the test run from outdoor unit, all indoor units operate. Therefore, you can not detect any erroneous connection of refrigerant pipes and the connecting wires. If it aims at detection of any erroneous connection, be sure to carry out the test run from remote controller with reference to "7.2.1 Using remote controller."

SW3-1	ON	Cooling operation
SW3-2	OFF	
SW3-1	ON	Heating operation
SW3-2	ON	

* After performing the test run, set SW3-1 to OFF.

- A few seconds after the compressor starts, a clanging noise may be heard from the inside of the outdoor unit. The noise is coming from the check valve due to the small difference in pressure in the pipes. The unit is not faulty.

The test run operation mode cannot be changed by DIP switch SW3-2 during the test run. (To change the test run operation mode during the test run, stop the test run by DIP switch SW3-1. After changing the test run operation mode, resume the test run by switch SW3-1.)

7.3. Refrigerant collecting (Pump down)

Perform the following procedures to collect the refrigerant when moving the indoor unit or the outdoor unit.

- ① Turn off the circuit breaker.
 - ② Connect the low pressure side of the gauge manifold to the service port of the gas side stop valve.
 - ③ Close the liquid stop valve.
 - ④ Supply power (circuit breaker).
- * Start-up of the indoor-outdoor communication takes about 3 minutes after the power (circuit breaker) is turned on. Start the pump-down operation 3 to 4 minutes after the power (circuit breaker) is turned ON.
- ⑤ Confirm that SW3-2 is set to OFF, and then set SW3-1 to ON to perform the test run for cooling operation. The compressor (outdoor unit) and ventilators (indoor and outdoor units) start operating and test run for cooling operation begins. Immediately after performing the test run for cooling operation, set the outdoor service switch SW2-4 (pump down switch) from OFF to ON.
- * Do not continue to operate for a long time with the switch SW2-4 set to ON. Make sure to switch it to OFF after pump down is completed.

- ⑥ Fully close the gas stop valve when the pressure reading on the gauge drops 0.05 - 0.00 MPa (approximately 0.5 - 0.0 kgf/cm²)
 - ⑦ Set SW3-1 to OFF to stop the air conditioner operation. (Set the outdoor service switch SW2-4 from ON to OFF.)
 - ⑧ Turn off the power supply (circuit breaker).
- * If too much refrigerant has been added to the air conditioner system, the pressure may not drop to 0.5 kgf/cm². If this occurs, use a refrigerant collecting device to collect all of the refrigerant in the system, and then recharge the system with the correct amount of refrigerant after the indoor and outdoor units have been relocated.

⚠ **Warning:**

When pumping down the refrigerant, stop the compressor before disconnecting the refrigerant pipes. The compressor may burst and cause injury if any foreign substance, such as air, enters the system.

Содержание

1. Меры предосторожности.....	123	5. Дренажные трубы.....	130
2. Место монтажа	125	6. Электрические работы	130
3. Установка наружного прибора.....	127	7. Выполнение испытания.....	133
4. Прокладка труб хладагента.....	127		

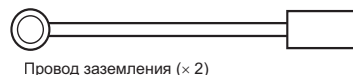
⚠ Осторожно:

- Не выпускайте R410A в атмосферу:
- R410A является фторированным парниковым газом, использование которого ограничивается Киотским протоколом; потенциал глобального потепления (GWP) данного газа равен 1975.

Поставляемые приспособления

Кроме данного руководства в комплект поставки наружного прибора входят следующие дополнительные принадлежности.

Они также используются для заземления концевиков S, расположенных на блоках концевиков передачи ТВ3, ТВ7. См. более подробную информацию на "6. Электрические работы".



1. Меры предосторожности

- ▶ До установки прибора убедитесь, что Вы прочли все "Меры предосторожности".
- ▶ Пожалуйста, проконсультируйтесь с органами электроснабжения до подключения системы.
- ▶ Оборудование соответствует IEC/EN 61000-3-12

⚠ Предупреждение:

Описывает меры предосторожности, необходимые для предотвращения получения травмы или гибели пользователя.

⚠ Осторожно:

Описывает меры предосторожности, необходимые для предотвращения повреждения прибора.

⚠ Предупреждение:

- Прибор не должен устанавливаться пользователем. Для выполнения установки прибора обратитесь к дилеру или сертифицированному техническому специалисту. Неправильная установка аппарата может повлечь за собой протечку воды, удар электрическим током или возникновение пожара.
- При установочных работах следуйте инструкциям в Руководстве по установке. Используйте инструменты и детали трубопроводов, специально предназначенные для использования с хладагентом марки R410A. Хладагент R410A в HFC-системе находится под давлением в 1,6 раза большим, чем давление, создаваемое при использовании обычных хладагентов. Если компоненты трубопроводов не предназначены для использования с хладагентом R410A, и аппарат установлен неправильно, трубы могут лопнуть и причинить повреждение или нанести травму. Кроме того, это может привести к утечке воды, поражению электрическим током или возникновению пожара.
- Прибор должен быть установлен согласно инструкциям, чтобы свести к минимуму риск повреждения от землетрясений, тайфунов или сильных порывов ветра. Неправильно установленный прибор может упасть и причинить повреждение или нанести травму.
- Прибор должен быть установлен на конструкции, способной выдержать его вес. Прибор, установленный на неустойчивой конструкции, может упасть и причинить повреждение или нанести травму.
- Если кондиционер установлен в небольшом помещении, необходимо принять меры для предотвращения концентрации хладагента свыше безопасных пределов в случае утечки хладагента. Проконсультируйтесь у дилера относительно соответствующих мер, предотвращающих превышение допустимой концентрации. В случае утечки хладагента и превышении допустимой его концентрации из-за нехватки кислорода в помещении может произойти несчастный случай.
- Если во время работы прибора произошла утечка хладагента, проветрите помещение. При контакте хладагента с пламенем образуются ядовитые газы.
- Все электроработы должны выполняться квалифицированным техническим специалистом в соответствии с местными правилами и инструкциями, приведенными в данном Руководстве. Приборы должны быть подключены к специально выделенным линиям электропитания с соответствующим напряжением через автоматические выключатели. Использование линий электропитания недостаточной мощности или неправильно проведенных линий может привести к поражению электрическим током или возникновению пожара.
- Для соединения медных или медносплавных бесшовных труб, предназначенных для хладагента, используйте медный фосфор C1220. Если трубы соединены неправильно, прибор не будет должным образом заземлен, что может привести к поражению электрическим током.

После окончания установочных работ проинструктируйте пользователя относительно правил эксплуатации и обслуживания аппарата, а также ознакомьте с разделом "Меры предосторожности" в соответствии с информацией, приведенной в Руководстве по использованию аппарата, и выполните тестовый прогон аппарата для того, чтобы убедиться, что он работает нормально. Обязательно передайте пользователю на хранение экземпляры Руководства по установке и Руководства по эксплуатации. Эти Руководства должны быть переданы и последующим пользователям данного прибора.

⚡ : Указывает, что данная часть должна быть заземлена.

⚠ Предупреждение:

Внимательно прочтите текст на этикетках главного прибора.

- Используйте для проводки указанные кабели. Убедитесь, что кабели надежно соединены, а оконечные соединения не натянуты. Никогда не соединяйте кабели внахлест (если иное не указано в прилагаемой документации). Несоблюдение этих инструкций может привести к перегреву или возгоранию.
- Крышка наружного прибора должна быть надежно присоединена к прибору. Если крышка установлена неправильно, в прибор могут попасть пыль и влага, что может привести к поражению электрическим током или возникновению пожара.
- При монтаже или перемещении, а также при обслуживании кондиционера используйте только указанный хладагент (R410A) для заполнения трубопроводов хладагента. Не смешивайте его ни с каким другим хладагентом и не допускайте наличия воздуха в трубопроводах. Наличие воздуха в трубопроводах может вызывать скачки давления, в результате которых может произойти взрыв или другие повреждения. Использование любого хладагента, отличного от указанного для этой системы, вызовет механическое повреждение, сбой в работе системы, или выход устройства из строя. В наихудшем случае, это может послужить серьезной преградой к обеспечению безопасной работы этого изделия.
- Используйте только те дополнительные принадлежности, на которые имеется разрешение от Mitsubishi Electric; для их установки обратитесь к дилеру или уполномоченному техническому специалисту. Неправильная установка дополнительных принадлежностей может привести к протечке воды, поражению электрическим током или возникновению пожара.
- Не изменяйте конструкцию прибора. При необходимости ремонта обратитесь к дилеру. Если изменения или ремонт выполнены неправильно, это может привести к протечке воды, удару электрическим током или возникновению пожара.
- Пользователю не следует пытаться ремонтировать прибор или перемещать его на другое место. Если прибор установлен неправильно, это может привести к утечке воды, удару электрическим током или возникновению пожара. Если необходимо отремонтировать или переместить кондиционер, обратитесь к дилеру или уполномоченному техническому специалисту.
- По окончании установки убедитесь в отсутствии утечки хладагента. Если хладагент проникнет в помещение и произойдет контакт его с пламенем обогревателя или переносного пищевого нагревателя, образуются ядовитых газов.

1. Меры предосторожности

1.1. Перед установкой

⚠ Осторожно:

- Не используйте прибор в нестандартной окружающей среде. Установка кондиционера в местах, подверженных воздействию пара, летучих масел (включая машинное масло) или сернистых испарений, местах с повышенной концентрацией соли (таких, как берег моря), или местах, где прибор будет засыпан снегом, может привести к значительному снижению эффективности работы прибора или повреждению его внутренних частей.
- Не устанавливайте прибор в местах, где возможна утечка, возникновение, приток или накопление горючих газов. Если горючий газ будет накапливаться вокруг прибора, это может привести к возникновению пожара или взрыву.
- При использовании режима обогрева на наружном приборе образуется конденсат. Удостоверьтесь, что обеспечен хороший дренаж в районе наружного прибора, если этот конденсат может принести какой-либо вред.
- При монтаже прибора в больнице или центре связи примите во внимание шумовое и электронное воздействие. Работа таких устройств, как инверторы, бытовые приборы, высокочастотное медицинское оборудование и оборудование радиосвязи может вызвать сбои в работе кондиционера или его поломку. Кондиционер также может повлиять на работу медицинского оборудования и медицинское обслуживание, работу коммуникационного оборудования, вызывая искажение изображения на дисплее.

1.2. Перед установкой (перемещением)

⚠ Осторожно:

- Будьте чрезвычайно осторожны при транспортировке приборов. Прибор должны переносить два или более человека, поскольку он весит не менее 20 кг. Не поднимайте прибор за упаковочные ленты. При распаковке прибора или его передвижении используйте защитные перчатки, поскольку можно повредить руки ребристыми деталями или другими частями прибора.
- Утилизируйте упаковочные материалы надлежащим образом. Упаковочные материалы, такие, как гвозди и другие металлические или деревянные части, могут поранить или причинить другие травмы.
- Необходимо периодически производить проверку основного блока наружного прибора и установленных на нем компонентов на разболтанность, наличие трещин или других повреждений. Если такие дефекты оставить неисправленными, прибор может упасть и причинить повреждение или нанести травму.
- Не мойте кондиционер водой. Это может привести к поражению электрическим током.
- Затягивайте все хомуты на муфтах в соответствии со спецификациями, используя ключ с регулируемым усилием. Слишком сильно затянутый хомут муфты по прошествии некоторого времени может сломаться, что вызовет утечку хладагента.

1.3. Перед электрическими работами

⚠ Осторожно:

- Обязательно установите автоматические выключатели. В противном случае возможно поражение электрическим током.
- Используйте для электропроводки стандартные кабели, рассчитанные на соответствующую мощность. В противном случае может произойти короткое замыкание, перегрев или пожар.
- При монтаже кабелей питания не прикладывайте растягивающих усилий. Если соединения ненадежны, кабель может отсоединиться или порваться, что может привести к перегреву или возникновению пожара.
- Обязательно заземлите прибор. Не присоединяйте провод заземления к газовым или водопроводным трубам, громоотводам или телефонным линиям заземления. Отсутствие надлежащего заземления может привести к поражению электрическим током.
- Используйте автоматические выключатели (прерыватель утечки тока на землю, разведнитель (плавкий предохранитель +В) и предохранитель корпуса) с указанным предельным током. Если предельный ток автоматического выключателя больше, чем необходимо, может произойти поломка или пожар.

1.4. Перед тестовым прогоном

⚠ Осторожно:

- Включайте главный выключатель питания не позднее, чем за 12 часов до начала эксплуатации. Запуск прибора сразу после включения выключателя питания может серьезно повредить внутренние части. Держите главный выключатель питания включенным в течение всего времени работы.
- Перед началом эксплуатации проверьте, что все пульты, щитки и другие защитные части правильно установлены. Вращающиеся, нагретые или находящиеся под напряжением части могут нанести травмы.
- Не прикасайтесь ни к каким выключателям влажными руками. Это может привести к поражению электрическим током.
- Не прикасайтесь к трубам с хладагентом голыми руками во время работы прибора. Трубы с хладагентом при работе прибора нагреваются или охлаждаются в зависимости от состояния циркулирующего хладагента. Прикосновение к трубам может привести к ожогу или обморожению.
- После остановки прибора обязательно подождите по крайней мере пять минут перед выключением главного выключателя питания. В противном случае возможна протечка воды или поломка прибора.

1.5. Использование кондиционеров с хладагентом R410A

⚠ Осторожно:

- Для соединения медных или медносплавных бесшовных труб, предназначенных для хладагента, используйте медный фосфор C1220. Удостоверьтесь, что внутри трубы чисты и не содержат никаких вредных загрязнителей, таких как соединения серы, окислители, мелкий мусор или пыль. Используйте трубы указанной толщины. (См. стр. 127) При использовании имеющихся труб, которые применялись для хладагента R22, обратите внимание на следующее.
- Используйте нижеперечисленные инструменты, специально предназначенные для работы с хладагентом R410A. Для работы с хладагентом R410A необходимы следующие инструменты. При возникновении каких-либо вопросов обратитесь к ближайшему дилеру.

- Замените хомуты на муфтах и перезатяните соединенные секции.
- Не используйте тонкие трубы. (См. стр. 127)
- Храните трубы, предназначенные для установки в закрытом помещении, запечатанными, а также оставьте запечатанными их концы; распаковывайте их непосредственно перед пайкой. (Оставьте коленчатые трубы и т.д. в упаковке.) Если пыль, мелкий мусор или влага попадут в трубопроводы хладагента, может произойти порча масла или поломка компрессора.
- Используйте в качестве масла охлаждения для покрытия соединительных муфт масло сложного или простого эфира или алкилбензол (в небольшом количестве). Если в масле охлаждения присутствует минеральное масло, может произойти порча масла.
- Используйте только хладагент R410A. В случае использования другого хладагента хлор может испортить масло.

Инструменты (для R410A)	
Набор шаблонов	Инструмент для затяжки муфт
Шланг зарядки	Калибр регулирования размера
Детектор утечки газа	Адаптер вакуумного насоса
Ключ с регулируемым усилием	Электронный измеритель зарядки хладагента

- Используйте только специальные инструменты. Попадание пыли, мелкого мусора или влаги в трубопроводы хладагента может привести к порче масла охлаждения.
- Не используйте для зарядки баллон. Использование баллона для зарядки приведет к изменению состава хладагента и снижению эффективности работы прибора.

2. Место монтажа

2.1. Трубы хладагента

См. Fig. 4-1.

2.2. Выбор места установки наружного прибора

- Не устанавливайте прибор в местах, подверженных воздействию прямых солнечных лучей или других источников нагрева.
- Выберите такое размещение, чтобы шум при работе прибора не беспокоил окружающих.
- Выберите место, удобное для проведения кабелей и трубопроводов к источнику питания и внутреннему прибору.
- Не устанавливайте прибор в местах, где возможна утечка, возникновение, приток или накопление горючих газов.
- Примите во внимание, что во время работы прибора из него может капать вода.
- Выберите место, способное выдержать вес и вибрацию прибора.
- Не устанавливайте прибор в местах, где он может быть засыпан снегом. В тех регионах, где возможны сильные снегопады, требуется принять специальные меры предосторожности (например, разместить прибор повыше или смонтировать на воздухозаборнике козырек) с целью предотвращения закупорки воздухозаборника снегом или прямого воздействия ветра. В противном случае возможно уменьшение потока воздуха, что может привести к сбою.
- Не устанавливайте прибор в местах, подверженных влиянию летучих масел, пара или сернистых испарений.
- Для транспортировки наружного прибора используйте четыре ручки, расположенные на приборе слева, справа, спереди и сзади. При переносе прибора за нижнюю часть можно придавить руки или пальцы.

2.3. Контурные габариты (Наружный прибор) (Fig. 2-1)

Ограничения по монтажу внутреннего прибора

Вам необходимо обратить внимание на то, что к данному наружному прибору можно подключить внутренние приборы следующих моделей.

- Можно подключать внутренние приборы с номерами моделей 15-140 (PUMY-P100:15-125).

В таблице 1 ниже приводятся возможные комбинации помещений и внутренних приборов.

Проверка

Номинальную мощность необходимо определять по таблице ниже. Количество приборов ограничено, как показано ниже в таблице 2. На следующем этапе убедитесь, что выбранная общая номинальная мощность будет находиться в пределах 50% - 130% мощности наружного прибора.

- PUMY-P100 5,6 - 14,6 кВт.
- PUMY-P125 7,1 - 18,2 кВт.
- PUMY-P140 8,0 - 20,2 кВт.

Таблица 1

Тип внутреннего прибора	15	20	25	32	40	50	63	71	80	100	125	140
Номинальная мощность (охлаждение) (кВт)	1,7	2,2	2,8	3,6	4,5	5,6	7,1	8,0	9,0	11,2	14,0	16,0

Таблица 2

Количество подключаемых внутренних блоков	
PUMY-P100	1-8
PUMY-P125	1-10
PUMY-P140	1-12*

Комбинации, в которых общая мощность внутренних приборов превышает мощность наружного прибора, понизят производительность каждого внутреннего прибора по охлаждению до уровня ниже его номинальной производительности по охлаждению. Следовательно, по мере возможности, комбинируйте внутренние приборы с наружным прибором, не выходя за пределы мощности наружного прибора.

* Только в случае, если все внутренние блоки являются моделями 1,5 кВт, 12 внутренних блоков можно подключить к 1 наружному прибору.

2.4. Подключение блока PWFY

При использовании блока PWFY в качестве внутреннего блока системы кондиционирования необходимо учитывать представленные далее особенности, поскольку блок PWFY отличается от других внутренних блоков.

2.4.1. Ограничения по подключению

- К системе можно подключить только 1 блок PWFY-P100VM-E-AU. Блоки PWFY-P200VM-E-AU и PWFY-P100VM-E-BU не могут быть подключены.
- Блок PWFY не должен быть единственным блоком, подключенным к наружному блоку. Наружный блок следует подобрать таким образом, чтобы суммарная номинальная мощность внутренних блоков, за исключением блока PWFY, составляла 50–100% мощности наружного блока.

Пределы суммарной номинальной мощности внутренних блоков при подключении к системе блока PWFY

- PUMY-P100 (1 блок PWFY + блоки других моделей [5,6–11,2 кВт.])
- PUMY-P125 (1 блок PWFY + блоки других моделей [7,1–14,0 кВт.])
- PUMY-P140 (1 блок PWFY + блоки других моделей [8,0–15,5 кВт.])

2.4.2. Технические характеристики внутреннего блока

При подключении блока PWFY к блоку PUMY технические характеристики изменяются следующим образом.

- Блок PWFY обеспечивает функционирование только в режиме обогрева. Блок PWFY не может работать в режиме охлаждения. В то же время, внутренние блоки других моделей данной системы могут функционировать в режиме охлаждения.
- Внутренние блоки других моделей не могут функционировать одновременно с блоком PWFY.
- Работа блока PWFY имеет приоритет. При нахождении блока PWFY в режиме работы остальные внутренние блоки прекращают работу.
- Значение температуры, установленное на пульте дистанционного управления, является заданным значением выходной температуры воды.

2.4.3. Настройки переключателя (Fig. 2-2)

При подключении блока PWFY к блоку PUMY установите DIP-переключатели SW1-1, SW4-2 и SW4-6 блока PWFY в положение ВКЛ.

2.4.4. Выполнение испытания

При выполнении пробного прогона с использованием переключателей наружного блока блок PWFY не будет работать. Пробный прогон следует выполнить с использованием переключателей блока PWFY или пульта дистанционного управления.

Сведения о выполнении пробного запуска см. в справочнике или руководстве по обслуживанию блока PWFY.

2.4.5. Сбор хладагента (откачка)

На этапе ① процедуры откачки пользователю рекомендовано "включить все внутренние приборы на работу в режиме охлаждения". Тем не менее, блок PWFY не может работать в режиме охлаждения. В связи с этим следует включить в режиме охлаждения все внутренние блоки, за исключением блока PWFY.

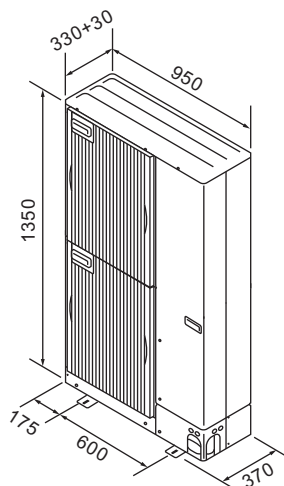


Fig. 2-1

Таблица 3 Технические характеристики блока PWFY

Модель		PWFY-P100VM-E-AU
Темп. диапазон в режиме обогрева	Температура наружного воздуха	от -15 до 21 °C (сухой термометр), от -15 до 15 °C (влажный термометр)
	Температура воды на входе	от 10 до 45 °C
Темп. диапазон в режиме охлаждения	Температура наружного воздуха	-
	Температура воды на входе	-

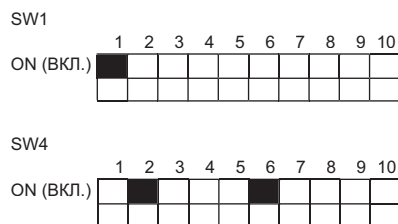


Fig. 2-2

2. Место монтажа

2.5. Вентиляция и сервисное пространство

2.5.1. При установке одиночного наружного прибора

Минимальные размеры включают, за исключением указанных Макс., значит Максимальных размеров, следующие размеры.

См. соответствующие значения для каждого случая.

- ① Окружающие предметы - только сзади (Fig. 2-3)
- ② Окружающие предметы - только сзади и сверху (Fig. 2-4)
 - * Не используйте дополнительные воздуховоды для восходящего потока воздуха.
- ③ Окружающие предметы - только сзади и с боковых сторон (Fig. 2-5)
- ④ Окружающие предметы - только спереди (Fig. 2-6)
 - * При использовании дополнительной направляющей воздуховыпускного отверстия, зазор составляет 500 мм или больше.
- ⑤ Окружающие предметы - только спереди и сзади (Fig. 2-7)
 - * При использовании дополнительной направляющей воздуховыпускного отверстия, зазор составляет 500 мм или больше.
- ⑥ Окружающие предметы - только сзади, с боковых сторон и сверху (Fig. 2-8)
 - * Не используйте дополнительные воздуховоды для восходящего потока воздуха.

2.5.2. При установке нескольких наружных приборов

Оставьте пространство в 10 мм или больше между приборами.

- ① Окружающие предметы - только сзади (Fig. 2-9)
- ② Окружающие предметы - только сзади и сверху (Fig. 2-10)
 - * Не следует устанавливать рядом более трех приборов. Приборы должны находиться на указанном расстоянии друг от друга.
- ③ Окружающие предметы - только спереди (Fig. 2-11)
 - * При использовании дополнительной направляющей воздуховыпускного отверстия, зазор составляет 1000 мм или больше.
- ④ Окружающие предметы - только спереди и сзади (Fig. 2-12)
 - * При использовании дополнительной направляющей воздуховыпускного отверстия, зазор составляет 1000 мм или больше.
- ⑤ Расположение приборов в один горизонтальный ряд (Fig. 2-13)
 - * При использовании дополнительного воздуховода выходного отверстия для восходящего потока воздуха, расстояние должно быть 1000 мм или больше.
- ⑥ Расположение приборов в несколько горизонтальных рядов (Fig. 2-14)
 - * При использовании дополнительного воздуховода выходного отверстия для восходящего потока воздуха расстояние должно быть 1500 мм или более.
- ⑦ Расположение приборов вертикальными рядами (Fig. 2-15)
 - * Можно вертикально расположить до двух приборов.
 - * Рядом должно быть установлено не более двух вертикальных рядов. Приборы должны находиться на указанном расстоянии друг от друга.

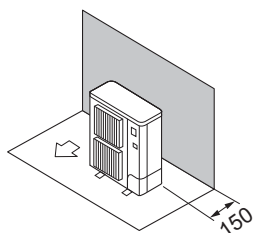


Fig. 2-3

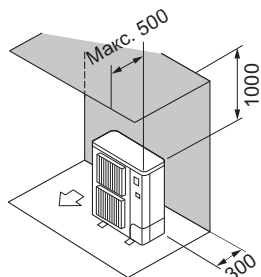


Fig. 2-4

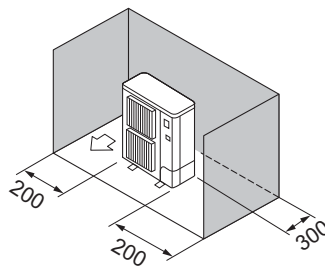


Fig. 2-5

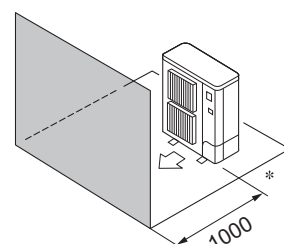


Fig. 2-6

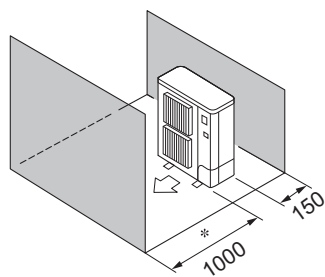


Fig. 2-7

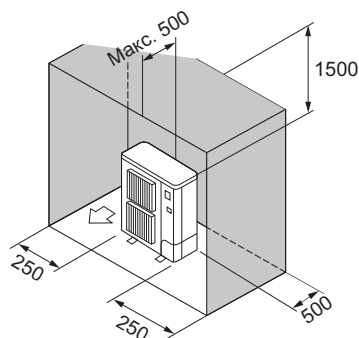


Fig. 2-8

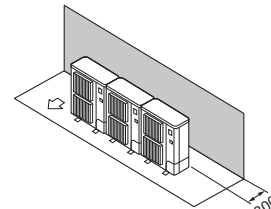


Fig. 2-9

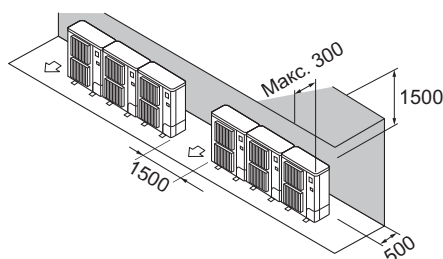


Fig. 2-10

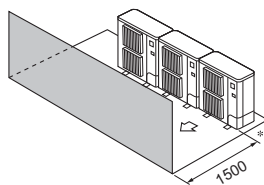


Fig. 2-11

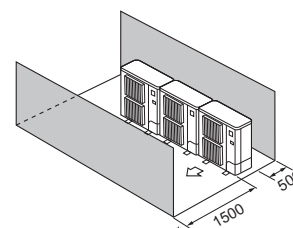


Fig. 2-12

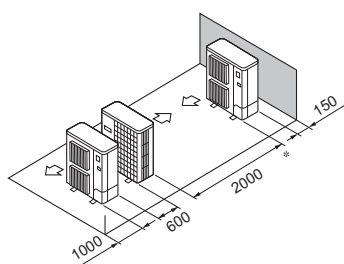


Fig. 2-13

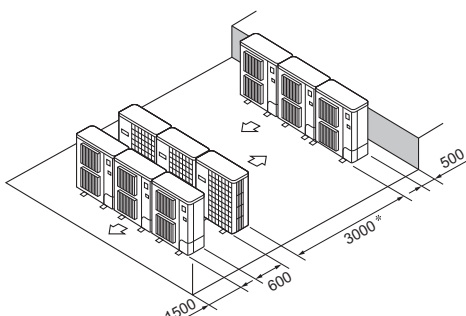


Fig. 2-14

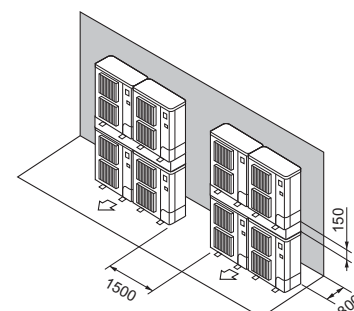


Fig. 2-15

2. Место монтажа

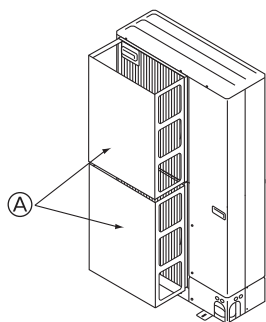


Fig. 2-16

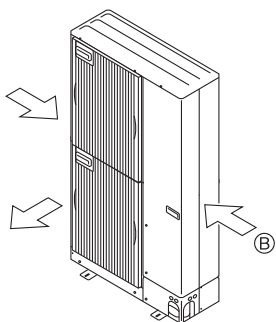


Fig. 2-17

2.5.3. Установка в местах, где возможен сильный ветер

При монтаже наружного прибора на крыше или другом месте, не защищенном от ветра, расположите вентиляционную решетку прибора так, чтобы она не подвергалась воздействию сильного ветра. Сильный ветер, дующий прямо в выходное отверстие, может препятствовать нормальному потоку воздуха, что может привести к сбою. Ниже приводятся 2 примера мер предосторожности против сильных ветров.

① Установите дополнительный воздуховод выходного отверстия и основной воздуховод, если прибор установлен в месте, где сильный ветер от тайфуна и др. может попадать непосредственно в вентиляционную решетку. (Fig. 2-16)

Ⓐ Воздуховод выходного отверстия

② По возможности разместите прибор так, чтобы воздух из выходного отверстия выдувался в направлении, перпендикулярном к сезонному направлению ветра. (Fig. 2-17)

Ⓑ Направление ветра

3. Установка наружного прибора

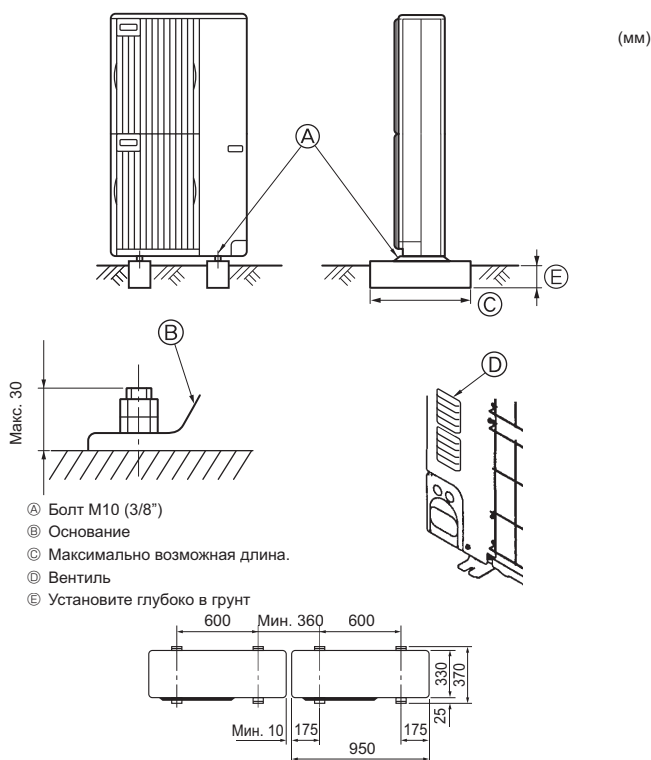


Fig. 3-1

• Обязательно устанавливайте прибор на твердой ровной поверхности для предотвращения его дребезжания во время эксплуатации. (Fig. 3-1)
<Требования к фундаменту>

Фундаментный болт	M10 (3/8")
Толщина бетона	120 мм
Длина болта	70 мм
Несущая способность	320 кг

• Убедитесь в том, что фундаментный болт в пределах 30 мм от нижней поверхности основания.
• Надежно прикрепите основание прибора с помощью четырех фундаментных болтов M10 к твердой поверхности.

Установка наружного прибора

• Не блокируйте вентиль. Если вентиль заблокирован, это будет препятствовать работе, что может привести к поломке.
• Кроме предусмотренных изначально, используйте установочные отверстия в задней стенке прибора для подсоединения проводов и т.д., если возникнет такая необходимость. Для установки на место используйте шурупы-саморезы (ø5 × 15 мм или меньше).

⚠ Предупреждение:

• Прибор должен быть установлен на конструкции, способной выдержать его вес. Прибор, установленный на неустойчивой конструкции, может упасть и причинить повреждение или нанести травму.
• Прибор должен быть установлен согласно инструкциям, чтобы свести к минимуму риск повреждения от землетрясений, тайфунов или сильных порывов ветра. Неправильно установленный прибор может упасть и причинить повреждение или нанести травму.

4. Прокладка труб хладагента

4.1. Меры предосторожности для устройств, в которых используется хладагент марки R410A

• См. стр. 124, на которой приведены не перечисленные ниже меры предосторожности относительно использования кондиционеров с хладагентом R410A.
• Используйте в качестве масла охлаждения для покрытия соединительных муфт масло сложного или простого эфира или алкилбензол (небольшое количество).
• Для соединения медных или медносплавных бесшовных труб, предназначенных для хладагента, используйте медный фосфор S1220. Используйте трубы для хладагента соответствующей толщины для каждого случая; значения толщины приведены в таблице ниже. Удостоверьтесь, что внутри трубы чисты и не содержат никаких вредных загрязнителей, таких, как соединения серы, окислители, мелкий мусор или пыль.

⚠ Предупреждение:

При монтаже или перемещении, а также при обслуживании кондиционера используйте только указанный хладагент (R410A) для заполнения трубопроводов хладагента. Не смешивайте его ни с каким другим хладагентом и не допускайте наличия воздуха в трубопроводах. Наличие воздуха в трубопроводах может вызывать скачки давления, в результате которых может произойти взрыв или другие повреждения. Использование любого хладагента, отличного от указанного для этой системы, вызовет механическое повреждение, сбой в работе системы, или выход устройства из строя. В наихудшем случае, это может послужить серьезной преградой к обеспечению безопасной работы этого изделия.

Тип внутреннего прибора	15-50	63-140
Труба для жидкости	ø6,35 толщина 0,8 мм	ø9,52 толщина 0,8 мм
Труба для газа	ø12,7 толщина 0,8 мм	ø15,88 толщина 1,0 мм

• Не используйте трубы более тонкие, чем указано выше.

4. Прокладка труб хладагента

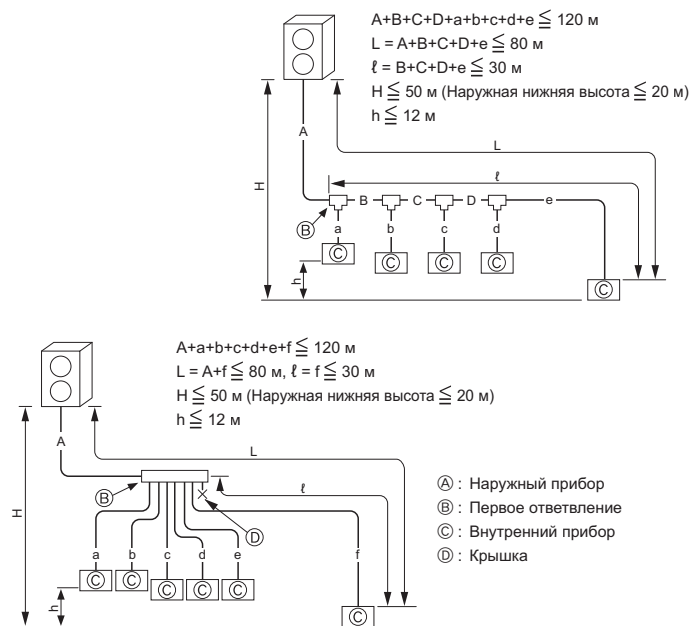
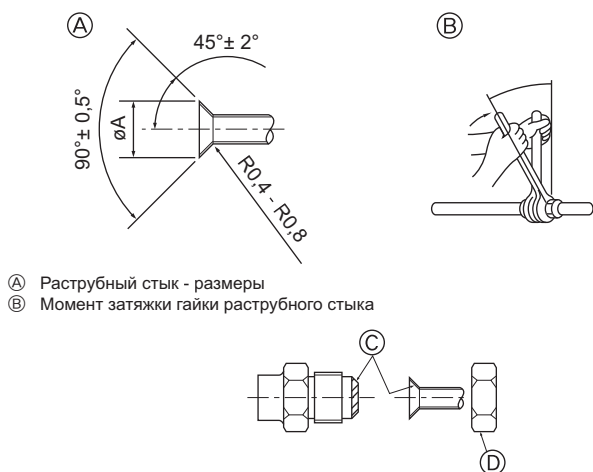


Fig. 4-1



(A) (Fig. 4-2)

Медная труба О.Д. (мм)	Размеры раструба, диаметр $\varnothing A$ (мм)
$\varnothing 6,35$	8,7 - 9,1
$\varnothing 9,52$	12,8 - 13,2
$\varnothing 12,7$	16,2 - 16,6
$\varnothing 15,88$	19,3 - 19,7

(B) (Fig. 4-2)

Медная труба О.Д. (мм)	Гайка раструбного стыка О.Д. (мм)	Момент затяжки (Н·м)
$\varnothing 6,35$	17	14 - 18
$\varnothing 6,35$	22	34 - 42
$\varnothing 9,52$	22	34 - 42
$\varnothing 12,7$	26	49 - 61
$\varnothing 12,7$	29	68 - 82
$\varnothing 15,88$	29	68 - 82
$\varnothing 15,88$	36	100 - 120

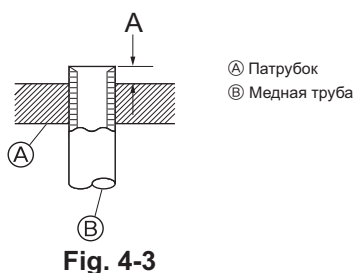


Fig. 4-3

A (мм)		
	(A) Труба для жидкости	(B) Труба для газа
PUMY-P100-140	$\varnothing 9,52$	$\varnothing 15,88$

B, C, D (мм)		
(C) Общая мощность внутренних приборов	(A) Труба для жидкости	(B) Труба для газа
	$\varnothing 9,52$	$\varnothing 15,88$

a, b, c, d, e, f (мм)		
(D) Номер модели	(A) Труба для жидкости	(B) Труба для газа
15, 20, 25, 32, 40, 50	$\varnothing 6,35$	$\varnothing 12,7$
63, 80, 100, 125, 140	$\varnothing 9,52$	$\varnothing 15,88$

(E) Модель с комплектом ответвлений	
CMY-Y62-G-E	

(E) 4-Ответвительный коллектор	(G) 8-Ответвительный коллектор
CMY-Y64-G-E	CMY-Y68-G-E

4.2. Соединение труб (Fig. 4-2)

На Fig. 4-1 показан пример системы трубопроводов.

- При использовании медных труб, имеющих в продаже, оберните трубы для жидкости и газа имеющимися в продаже изоляционными материалами (с теплозащитой от 120°C или выше, толщиной не менее 15 мм).
- Внутренняя часть дренажной трубы должна быть обернута в пенополиэтиленовый изолирующий материал (удельный вес 0,03; толщина 9 мм или более).
- Нанесите тонкий слой масла хладагента на контактную поверхность труб и соединений перед тем, как затягивать гайку с фланцем. (A)
- Для затягивания трубных соединений используйте два гаечных ключа. (B)
- Используйте детектор утечки или мыльный раствор для проверки утечки газа после завершения всех соединений.
- Нанесите машинное масло охлаждения на всю поверхность области присоединения муфты. (C)
- Используйте гайки раструбного стыка для следующего размера трубы. (D)

		Внутренний прибор		Наружный прибор
		15-50	63-140	100-140
Сторона газа	Размер трубы (мм)	$\varnothing 12,7$	$\varnothing 15,88$	$\varnothing 15,88$
Сторона жидкости	Размер трубы (мм)	$\varnothing 6,35$	$\varnothing 9,52$	$\varnothing 9,52$

- При изгибе труб будьте осторожны, чтобы не допустить их поломки. Рекомендуются радиусы изгиба от 100 мм до 150 мм.
- Удостоверьтесь, что трубы не соприкасаются с компрессором. Такое соприкосновение может вызывать лишний шум или вибрацию.

- ① Соединение труб производится, начиная от внутреннего прибора. Хомуты на муфтах следует затягивать с помощью ключа с регулируемым усилием.
 - ② Установите трубы для жидкости и для газа и нанесите тонкий слой масла охлаждения (на соответствующее место).
- В случае использования обычного уплотнения трубы, обратитесь к таблице 3 для справки о соединении труб для хладагента R410A. Для проверки размеров A можно использовать шаблон подгонки размера.

⚠ Предупреждение:

При установке прибора надежно подсоедините трубы подачи охлаждающей жидкости до запуска компрессора.

Таблица 3 (Fig. 4-3)

Медная труба О.Д. (мм)	A (мм)	
	Инструмент раструбного стыка для R410A	Инструмент раструбного стыка для R22-R407C
	Тип муфты	
$\varnothing 6,35$	0 - 0,5	1,0 - 1,5
$\varnothing 9,52$	0 - 0,5	1,0 - 1,5
$\varnothing 12,7$	0 - 0,5	1,0 - 1,5
$\varnothing 15,88$	0 - 0,5	1,0 - 1,5
$\varnothing 19,05$	0 - 0,5	1,0 - 1,5

4. Прокладка труб хладагента

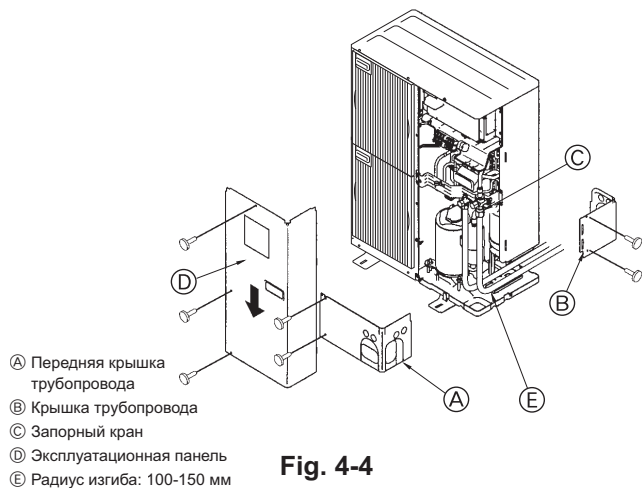


Fig. 4-4

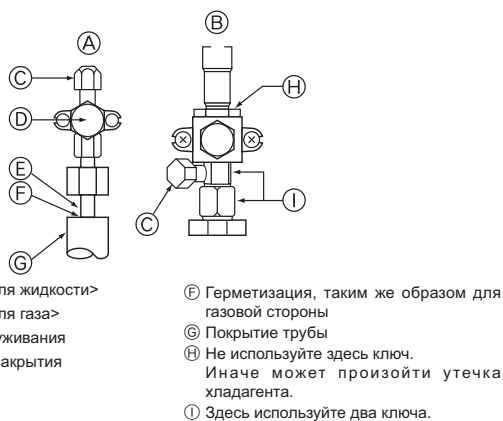


Fig. 4-5

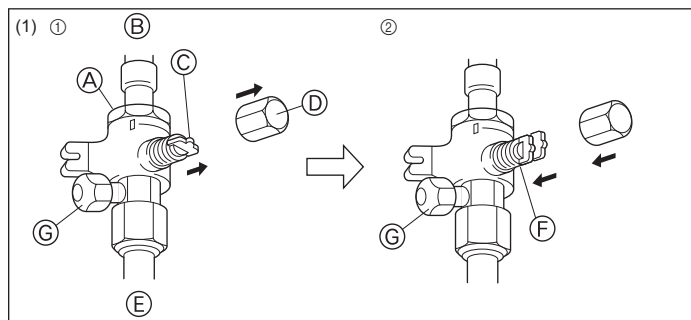


Fig. 4-6

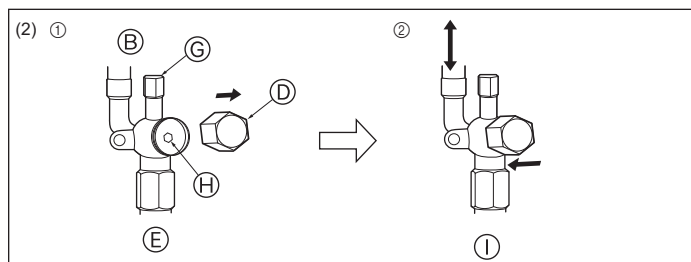


Fig. 4-7

4.3. Прокладка труб хладагента (Fig. 4-4)

Снимите эксплуатационную панель ① (три винта), а также переднюю крышку трубопровода ② (два винта) и заднюю крышку трубопровода ③ (два винта).

① Подсоедините трубопроводы хладагента к устройству, предназначенному для установки внутри/вне помещения, при полностью закрытом запорном вентиле устройства для установки вне помещения.

② Произведите вакуумную продувку воздуха из внутреннего прибора и труб соединения.

③ После соединения труб хладагента проверьте соединенные трубы и внутренний прибор на наличие утечек газа. (См. 4.4. "Метод проверки герметичности трубопровода хладагента".)

④ Освободите трубопроводы хладагента от газа через служебное отверстие запорных кранов жидкости и газа. Затем полностью откройте запорные краны (и жидкости, и газа). После этого трубопроводы хладагента внутреннего и наружного приборов будут полностью соединены.

- Если оставить закрытыми запорные краны и включить прибор, это приведет к повреждению компрессора и крана контроля.

- Проверьте места соединения труб наружного прибора на наличие утечек с помощью детектора утечки или мыльной воды.

- Не используйте хладагент из прибора для удаления воздуха из трубопроводов хладагента.

- По окончании всех операций с кранами закрутите колпачки кранов до соответствующего усилия: от 20 до 25 Н·м (от 200 до 250 кгс·см).

Неправильная замена и закрытие колпачков могут привести к утечке хладагента. Кроме того, не повредите внутренние детали колпачков кранов, поскольку они служат уплотнителями, предотвращающими утечку хладагента.

⑤ Для предотвращения пропитывания изоляционного материала на торцах труб водой произведите уплотнение соединений трубопроводов герметиком.

4.4. Метод проверки герметичности трубопровода хладагента

(1) Подсоедините проверочные инструменты.

- Убедитесь в том, что запорные краны ① и ② закрыты, и не открывайте их.

- Подайте давление в трубопроводы хладагента через служебное отверстие ③ запорного крана жидкости ① и запорного крана газа ②.

(2) Не следует сразу подавать указанное давление полностью; увеличивайте давление постепенно.

① Увеличьте давление до 0,5 МПа (5 кгс/см²G), подождите пять минут и удостоверьтесь, что давление не снизилось.

② Увеличьте давление до 1,5 МПа (15 кгс/см²G), подождите пять минут и удостоверьтесь, что давление не снизилось.

③ Увеличьте давление до 4,15 МПа (41,5 кгс/см²G) и измерьте температуру окружающего воздуха и давление хладагента.

(3) Если указанное давление держится в течение приблизительно одного дня и не уменьшается, то трубы выдержали испытание и утечек нет.

- При изменении температуры окружающего воздуха на 1°C давление изменяется приблизительно на 0,01 МПа (0,1 кгс/см²G). Произведите необходимые подстройки.

(4) Если на этапах (2) или (3) наблюдается снижение давления, происходит утечка газа. Найдите источник утечки газа.

4.5. Способ открытия запорного крана

(1) Сторона с газом (Fig. 4-6)

① Снимите колпачок, потяните ручку на себя и поверните на 1/4 оборота против часовой стрелки для открытия.

② Убедитесь в том, что запорный кран полностью открыт, надавите на ручку и поверните колпачок в первоначальное положение.

(2) Сторона с жидкостью (Fig. 4-7)

① Снимите колпачок и поверните шток золотника против часовой стрелки до упора, используя для этой цели 4 мм шестиугольный гаечный ключ. Прекратите поворачивать шток в момент, когда тот достигнет стопора. (Ø6,35: Приблизительно 4,5 оборотов) (Ø9,52: Приблизительно 10 оборотов)

② Убедитесь в том, что запорный кран полностью открыт, надавите на ручку и поверните колпачок в первоначальное положение.

- | | |
|----------------------------|---------------------------------|
| ① Кран | ⑥ Положение "открыто" |
| ② Со стороны блока | ⑦ Стык для техобслуживания |
| ③ Ручка | ⑧ Отверстие под ключ |
| ④ Колпачок | ⑨ Направление потока хладагента |
| ⑤ Со стороны местной трубы | |

Трубы хладагента имеют защитную изоляцию

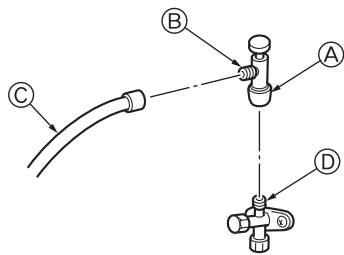
- Трубы могут быть обернуты защитной изоляцией до диаметра Ø90 до или после соединения. Вырежьте кусок в покрытии трубы по канавке и оберните трубы.

Зазор входа трубы

- Используйте замазку или герметик, чтобы загерметизировать входное отверстие для трубы и ликвидировать все щели.

(Если имеются незакрытые отверстия, прибор может издавать шум, а также в него могут проникнуть вода и пыль, что может привести к поломке.)

4. Прокладка труб хладагента



- * Рисунок, расположенный слева, приведён в качестве примера. Форма запорного клапана, положение сервисного порта и т.д. могут отличаться в зависимости от модели.
- * Поверните только секцию А. (Дополнительного затягивания секций А и В друг с другом не требуется.)
- С Шланг заправки хладагента
- Д Сервисный порт

Fig. 4-8

Меры предосторожности при использовании клапана заправки хладагента (Fig. 4-8)

Не затягивайте сервисный порт слишком сильно при установке, в противном случае возможна деформация сердечника клапана и его ослабление, что может стать причиной утечки газа.

После установки секции В в необходимое положение, поверните только секцию А и затяните ее.

Дополнительного затягивания секций А и В друг с другом после затягивания секции А не требуется.

4.6. Дополнительный заряд хладагента

При поставке прибора с завода-изготовителя наружный прибор уже заправлен 3 кг хладагента, эквивалентными общей 50-метровой длине трубопровода. Таким образом, если общая длина труб хладагента не превышает 50 м, то дополнительной заправки хладагента не требуется.

Расчет дополнительной заправки хладагента

- Если общая длина труб хладагента превышает 50 м, необходимо произвести расчет дополнительного количества хладагента способом, представленным справа.
- Если рассчитанное количество дополнительного хладагента представляет собой отрицательное число, дополнительной заправки хладагента не требуется.

<Пример>

Модель наружного прибора : 125

Внутренний прибор 1 : 63	A : Ø9,52	30 м	a : Ø9,52	15 м	} При условиях, указанных ниже:
2 : 40			b : Ø6,35	10 м	
3 : 25			c : Ø6,35	10 м	
4 : 20			d : Ø6,35	20 м	

Общая длина каждой линии жидкости равняется

$$\varnothing 9,52 : A + a = 30 + 15 = 45 \text{ м}$$

$$\varnothing 6,35 : b + c + d = 10 + 10 + 20 = 40 \text{ м}$$

Следовательно,

<Пример расчета>

$$\text{Дополнительная заправка хладагента} = 45 \times 0,06 + 40 \times 0,024 - 3,0 = 0,7 \text{ кг (округленно)}$$

<Дополнительная заправка>

Дополнительная заправка хладагента	=	Размер трубы для жидкости Общая длина труб $\varnothing 9,52 \times 0,06$	+	Размер трубы для жидкости Общая длина труб $\varnothing 6,35 \times 0,024$	-	Количество хладагента для наружного прибора
(кг)		(м) × 0,06 (кг/м)		(м) × 0,024 (кг/м)		3,0 кг

5. Дренажные трубы

Соединение дренажных труб наружного прибора

При необходимости дренажа используйте сливное гнездо или дренажный поддон (дополнительно).

	P100-140
Сливное гнездо	PAC-SG61DS-E
Дренажный поддон	PAC-SG64DP-E

6. Электрические работы

6.1. Осторожно

- ① Следуйте правилам техники безопасности, официально предписанным для работы с электрооборудованием, электропроводки и требованиям организации по электроснабжению.
- ② Проводка для управления (называемая ниже "линией передачи") должна отстоять на 5 см или более от проводки источника питания с тем, чтобы на нее не влиял электрический шум от проводки источника питания. (Не вставляйте линию передачи и кабель источника питания в один и тот же кабелепровод.)
- ③ Обеспечьте правильное заземление внешнего прибора.
- ④ Примите во внимание проводку коробки электродеталей внутреннего и внешнего приборов, поскольку коробку иногда приходится снимать во время работ по техобслуживанию.
- ⑤ Никогда не подсоединяйте сетевой источник питания к колодке концевиков линии передачи. В противном случае произойдет подгорание электрических элементов.
- ⑥ Используйте 2-жильный экранированный кабель для линии передачи. Если линии передачи различных систем включаются в один и тот же многожильный кабель, это поведет к ухудшению приема и передачи и неустойчивой работе.
- ⑦ Только специально обозначенная линия передачи может быть подсоединена к блоку концевиков для передачи к внешнему прибору. (Линия передачи, подсоединяемая к внутреннему прибору: Блок концевиков ТВ3 для линии передачи. Остальное: блок концевиков ТВ7 для централизованного управления.)
При неправильном подсоединении система не работает.
- ⑧ В случае соединения с регулятором высшего класса или для обеспечения групповой работы различных систем хладагента необходима линия управления для передачи между отдельными внешними приборами.
Подсоедините эту линию управления между блоками концевиков для централизованного управления. (2-жильная линия без полярности.)
При осуществлении групповой работы в различных системах хладагента без подсоединенного регулятора высшего класса, замените вставку соединителя закорачивания с CN41 одного внешнего прибора на CN40.
- ⑨ Группа устанавливается при помощи дистанционного управления.

6. Электрические работы

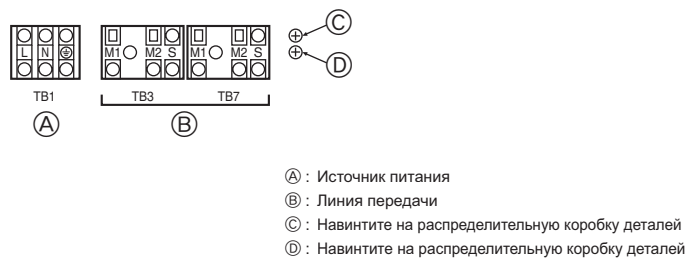


Fig. 6-1

6.2. Блок управления и положение проводки (Fig. 6-1)

- Соедините линию передачи внутреннего прибора к клеммной колодке передачи (ТВ3) или соедините провода между наружными приборами или провода центральной системы управления к клеммной колодке центрального управления (ТВ7). При использовании экранированного провода подсоедините экранированный провод заземления линии передачи внутреннего прибора к винту (C) или (D) и подсоедините экранированный провод заземления линии между наружными приборами и линией передачи центральной системы управления к экранированной клемме (S) клеммной колодки центрального управления (ТВ7). Кроме того, при замене соединителя питания CN41 в наружном приборе на соединитель CN40, экранированную клемму (S) клеммной колодки (ТВ7) центрального управления также следует подключить к винту (C) или (D), используя приложенный провод заземления.
- Пластины монтажа кабельного желоба поставлены в комплекте (ø27). Проведите сетевые кабели и провода передачи через соответствующие пробиваемые отверстия, а затем снимите пробиваемую пластину с нижней панели коробки концевых соединений и подсоедините провода.
- Закрепите провода источника питания на коробке концевых соединений с помощью буферной втулки для прочности на разрыв (соединитель PG или тому подобный).

6.3. Прокладка кабелей передачи

① Типы кабелей управления

- Прокладка кабелей передачи
 - Типы кабелей передачи: экранированный провод CVVS, CPEVS или MVVS
 - Диаметр кабеля: Свыше 1,25 мм²
 - Максимальная длина проводки: В пределах 200 м

2. Кабели дистанционного управления M-NET

Тип кабеля дистанционного управления	Экранированный провод (2-жильный) CVVS, CPEVS или MVVS
Диаметр кабеля	0,5 - 1,25 мм ²
Замечания	При превышении 10 м используйте кабель с такими же техническими характеристиками, как у проводки для линии передачи.

3. Кабели дистанционного управления MA

Тип кабеля дистанционного управления	2-жильный кабель в оболочке (неэкранированный) CVV
Диаметр кабеля	0,3 - 1,25 мм ² (0,75 - 1,25 мм ²)*
Замечания	В пределах 200 м

* Подключено с простым устройством дистанционного управления.

② Примеры проводки

- Название регулятора, его символ и допускаемое число регуляторов

Название	Символ	Допускаемое число регуляторов	
Регулятор внешнего прибора	OC	-	
Регулятор внутренних приборов	IC	PUMY-P100	1 - 8 приборов на 1 OC
		PUMY-P125	1 - 10 приборов на 1 OC
		PUMY-P140	1 - 12 приборов на 1 OC
Дистанционный блок управления	RC	RC (M-NET)	Максимум 12 пультов дистанционного управления на один контроллер внешнего прибора
		MA	Максимум 2 на группу

Пример работы заземленной системы с многочисленными внешними приборами (подсоединения и провода прикреплены как необходимо)

<Примеры проводки кабелей передачи>

■ Контроллер ДУ "M-NET" (Fig. 6-2)

■ Контроллер ДУ "MA" (Fig. 6-3)

<Метод электропроводки и адресная настройка>

- Всегда используйте экранированные провода при соединении между внешним прибором (OC) и внутренним прибором (IC), а также между OC и OC и IC и IC.
- Используйте фидерную проводку для соединения концевиков M1 и M2 и концевика заземления на блоке кабеля передачи (ТВ3) каждого внешнего прибора (OC) с концевиками M1, M2 и S на блоке кабеля передачи внутреннего прибора (IC).
- Соедините концевики 1 (M1) и 2 (M2) на блоке концевиков кабеля передачи внутреннего прибора (IC), который имеет самый недавний адрес в этой же группе, к блоку концевиков на дистанционном блоке управления (RC).
- Соедините между собой концевики M1, M2 и S на блоке концевиков для центрального регулятора (ТВ7) для обоих внешних приборов (OC).
- Соединительная перемычка CN41 на панели управления не заменяется.
- Подсоедините экранированный провод заземления линии передачи внутренних приборов к клемме (S) клеммной колодки (ТВ3). Кроме того, подсоедините клемму (S) к винту (C) или (D), используя приложенный провод заземления. Подсоедините экранированный провод заземления линии между наружными приборами и линией передачи центральной системы управления к экранированной клемме (S) клеммной колодки (ТВ7).
- Установите выключатель адресной настройки, как показано ниже.

Прибор	Диапазон	Метод настройки
IC (Главный)	01 - 50	Используйте самый недавний адрес в одной и той же группе внутренних приборов (IC)
IC (Дополнительный)	01 - 50	Используйте адрес, помимо адреса IC (Главного) из приборов в одной и той же группе внутренних приборов. Он должен быть последовательным с IC (Главного)
Внешний прибор	51 - 100	Используйте самый недавний адрес из всех внутренних приборов в той же системе хладагента + 50 * Если адрес установлен как "01-50", он автоматически меняется на "100".
M-NET R/C (Главный)	101 - 150	Настройте адрес IC (Главного) + 100
M-NET R/C (Дополнительный)	151 - 200	Настройте адрес IC (Главного) + 150
MA R/C	-	Ненужная настройка адреса (Необходимая настройка - установка "главный/подчиненный")

- Операция групповой настройки среди некоторого числа внутренних приборов выполняется дистанционным блоком управления (RC) после включения электропитания. Более подробная информация приводится в руководстве по установке дистанционного регулятора.

i. При подключении блока PWFY

- Запрещается выполнять групповые настройки для блока PWFY и внутренних блоков.
- Блок PWFY и блок Lossnaу нельзя настраивать таким образом, чтобы они работали одновременно.
- Используйте пульт дистанционного управления WMA для блока PWFY.

Подробные сведения см. в руководстве по установке блока PWFY.

<Допускаемая длина>

① Контроллер ДУ "M-NET"

- Максимальная длина через внешние приборы: $L_1+L_2+L_3+L_4$ и $L_1+L_2+L_3+L_5$ и $L_1+L_2+L_6+L_7 \leq 500$ м (Не менее 1,25 мм²)
- Максимальная длина кабеля передачи: L_1 и L_3+L_4 и L_3+L_5 и L_6 и L_2+L_6 и $L_7 \leq 200$ м (Не менее 1,25 мм²)
- Длина провода дистанционного блока управления: $l_1, l_2, l_2+l_3, l_4 \leq 10$ м (0,5 - 1,25 мм²)

Если длина превышает 10 м, используйте экранированный провод 1,25 мм². Длина этого отрезка (L₈) должна быть включена в расчет максимальной длины и общей длины.

② Контроллер ДУ "MA"

- Максимальная длина через внешние приборы (Кабель M-NET): $L_1+L_2+L_3+L_4$ и $L_1+L_2+L_6+L_7 \leq 500$ м (Не менее 1,25 мм²)
- Максимальная длина кабеля передачи (Кабель M-NET): L_1 и L_3+L_4 и L_6 и L_2+L_6 и $L_7 \leq 200$ м (Не менее 1,25 мм²)
- Длина провода дистанционного блока управления: m_1 и $m_1+m_2+m_3$ и $m_1+m_2+m_3+m_4 \leq 200$ м (0,3 - 1,25 мм²)

6. Электрические работы

■ Контроллер ДУ "М-NET"

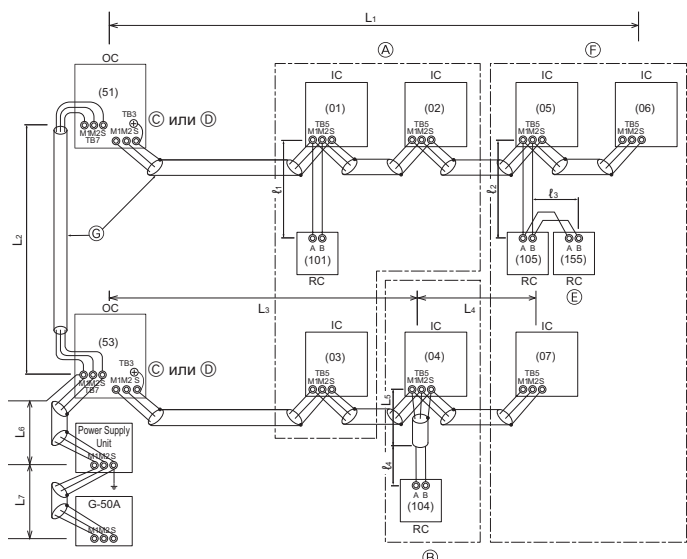


Fig. 6-2

- (A) : Группа
 (B) : Группа
 (C) : Навинтите на распределительную коробку деталей
 (D) : Навинтите на распределительную коробку деталей
 (E) : Дополнительный дистанционный блок управления
 (F) : Группа
 () : Адрес

■ Контроллер ДУ "МА"

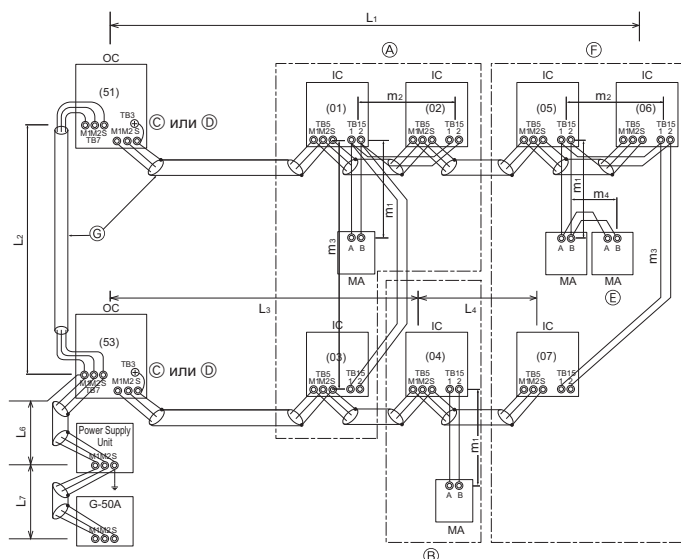


Fig. 6-3

6.4. Электропроводка для сетевого питания и характеристики оборудования

Схема электропроводки (Пример) (Fig. 6-4)

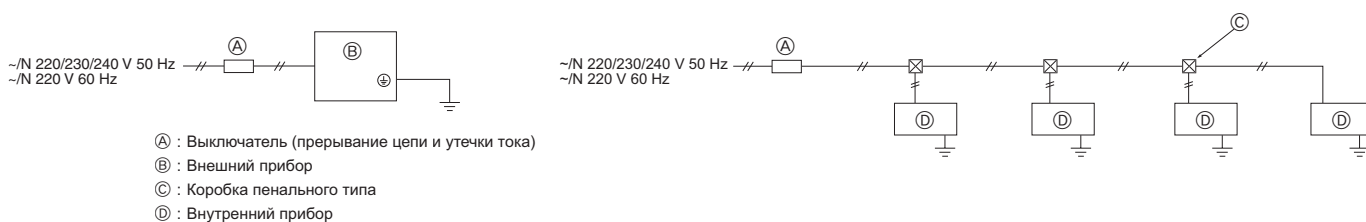


Fig. 6-4

Толщина проводов для главного источника питания и характеристики вкл/выкл.

Модель	Источник питания	Минимальная толщина провода (мм ²)			Прерыватель цепи*1	Прерыватель против утечки тока
		Магистр. кабель	Отвод	Заземл.		
Внешний прибор	P100-140 ~N 220/230/240 В 50 Гц ~N 220 В 60 Гц ²	5,5(6)	—	5,5(6)	32 А	32 А 30 мА 0,1сек. или менее
Внутренний прибор	~N 220/230/240 В 50 Гц ~N 220 В 60 Гц	1,5	1,5	1,5	15 А	15 А 30 мА 0,1сек. или менее

- *1. Используйте неплавкий предохранитель (NF) или выключатель тока утечки на землю (NV) с расстоянием между контактами по крайней мере 3,0 мм для каждого полюса.
*2. Максимальное допустимое сопротивление системы 0,22 (Ω).

- Используйте отдельный источник питания для подключения наружного и внутреннего приборов.
- При проведении проводки и электросоединений имейте в виду окружающие условия (температуру окружающего воздуха, прямые солнечные лучи, дождевую воду и т. д.).
- Размер провода является минимальной величиной для электропроводки в металлических трубах. Размер кабеля питания должен быть на 1 порядок толще ввиду падений напряжения. Убедитесь в том, что напряжение в сети питания падает не более, чем на 10%.
- Необходимо следовать специфическим требованиям по проведению электропроводки, соответствующим нормативам данного региона.
- Шнуры питания частей устройств, предназначенных для наружной эксплуатации, не должны быть легче, чем гибкий шнур с оболочкой из полихлоропрена (дизайн 60245 IEC57). К примеру, используйте проводку типа YZW.
- Длина устанавливаемого кабеля заземления должна превышать длину других кабелей.

⚠ Предупреждение:

- Обязательно используйте для соединений указанные провода так, чтобы на соединения концевиков не действовала внешняя сила. Неадекватные соединения могут вызвать перегрев или пожар.
- Обязательно убедитесь в том, что Вы используете соответствующий тип переключателя защиты от сверхтока. Заметьте, что генерируемый сверхток может включать в себя некоторое количество постоянного тока.

⚠ Внимание:

- На некоторых площадках может потребоваться установка прерывателя заземления. Отсутствие прерывателя в линии заземления может привести к электрическому удару.
- Используйте только прерыватели и предохранители с правильной характеристикой. Применение предохранителя или медного провода со слишком высокой характеристикой может вызвать отказ или возгорание прибора.

ВАЖНО

Убедитесь в том, что используемый прерыватель утечки тока совместим с более высокой гармоникой. Всегда пользуйтесь прерывателем утечки тока, так как данный прибор оборудован инвертором. Прерыватель утечки тока, несовместимый с более высокой гармоникой, может стать причиной неправильной работы инвертора.

Никогда не подсоединяйте внахлест силовой кабель или соединительный кабель внешнего питания. Это может привести к задымлению, возгоранию или неисправности.

7. Выполнение испытания

7.1. Перед пробным прогоном

- ▶ После завершения установки, прокладки труб и электропроводки внутреннего и наружного приборов проверьте отсутствие утечки хладагента, слабых соединений кабеля питания или проводов управления и неправильной полярности, а также убедитесь, что все фазы питания подключены.
- ▶ Используйте тестер на 500-Вольт Мом, чтобы проверить, что сопротивление между клеммами электропитания и заземлением составляет, по меньшей мере, 1 МΩ.
- ▶ Запрещается выполнять этот замер на терминалах проводах управления (цель низкого напряжения).

⚠ Предупреждение:

Не пользуйтесь кондиционером воздуха, если сопротивление изоляции ниже 1 МΩ.

Сопротивление изоляции

После установки или длительного отключения источника питания от прибора, сопротивление изоляции падает ниже 1 МΩ вследствие накопления хладагента в компрессоре. Это не является неисправностью. Выполните следующие действия.

1. Отключите от компрессора провода и измерьте сопротивление изоляции компрессора.
2. Если сопротивление изоляции ниже 1 МΩ, то компрессор неисправен или сопротивление упало вследствие накопления хладагента в компрессоре.
3. После подсоединения проводов к компрессору при подаче питания он начнет нагреваться. После подачи питания в течение нижеуказанных периодов времени, измерьте сопротивление изоляции еще раз.

7.2. Выполнение испытания

7.2.1. Использование пульта дистанционного управления

См. руководство по монтажу внутреннего прибора.

- Обязательно осуществите пробный запуск каждого внутреннего прибора. Убедитесь в том, что каждый внутренний прибор работает надлежащим образом согласно руководству по монтажу, прилагаемому к прибору.
- Если Вы выполните пробный запуск всех внутренних приборов одновременно, Вы не сможете обнаружить неправильное подсоединение труб хладагента и соединительных проводов, если оно имеет место.
- * Компрессор начинает работу, по меньшей мере, через 3 минуты после подачи электропитания.
- Компрессор может издавать шум сразу же после включения электропитания или при низкой температуре наружного воздуха.

О защитном механизме повторного запуска

После останова компрессора включается защитный механизм повторного запуска, который предотвращает включение компрессора в течение 3 минут для защиты кондиционера.

7.3. Сбор хладагента (откачка)

Для сбора хладагента при перемещении внутреннего или внешнего прибора выполните следующие действия.

- ① Выключите автоматический выключатель.
- ② Подсоедините шланг со стороны низкого давления манометрического коллектора к сервисному порту запорного клапана на стороне газа.
- ③ Перекройте запорный клапан линии подачи жидкости.
- ④ Включите питание (с помощью автоматического выключателя).
- * Взаимодействие внешнего и внутреннего модулей начинается спустя 3 минуты после включения питания (автоматического выключателя). Начните откачку через 3–4 минуты после включения питания (автоматического выключателя).
- ⑤ Для выполнения испытания процесса охлаждения необходимо установить переключатель SW3-2 в положение OFF (ВЫКЛ.), а затем переключатель SW3-1 в положение ON (ВКЛ.). Запустятся компрессор (внешний прибор) и вентиляторы (внутренний и внешний приборы) и начнется испытание процесса охлаждения. Сразу после выполнения испытания процесса охлаждения переведите сервисный переключатель внешнего прибора SW2-4 (переключатель откачки) из положения OFF (ВЫКЛ.) в положение ON (ВКЛ.).
- * Запрещается продолжение эксплуатации прибора длительное время с выключателем SW2-4 в положении ON (ВКЛ.). Обязательно переключите выключатель в положение OFF (ВЫКЛ.) после завершения операции откачивания.

- Сопротивление изоляции понижается из-за накопления хладагента в компрессоре. Сопротивление поднимется выше 1 МΩ после прогрева компрессора в течение 4 часов. (Время, в течение которого необходимо прогревать компрессор, зависит от атмосферных условий и количества накопленного хладагента.)
 - Чтобы использовать компрессор, в котором скопился хладагент, компрессор необходимо прогреть в течение по крайней мере 12 часов, чтобы предотвратить поломку.
4. Если сопротивление изоляции возрастает до значения свыше 1 МΩ, то компрессор исправен.

⚠ Внимания:

- Компрессор не будет работать при неправильном подсоединении фаз источника электропитания.
 - Подключите электропитание прибора не менее чем за 12 часов до начала работы.
 - Запуск прибора сразу после подключения сетевого питания может серьезно повредить внутренние части прибора. Сетевой выключатель должен оставаться во включенном положении в течение всего периода эксплуатации прибора.
- ▶ Выполните проверку следующего.
 - Наружный прибор исправен. Светодиод на контрольной панели наружного прибора мигает, если наружный прибор неисправен.
 - Запорные краны газа и жидкости полностью открыты.

7.2.2. Использование SW3 в наружном блоке

Примечания:

Если пробный запуск осуществляется с наружного прибора, включатся все внутренние приборы. Следовательно, Вы не сможете обнаружить неправильное подсоединение труб хладагента или соединительных проводов. Если необходимо определить какое-либо неправильное подсоединение, обязательно осуществите пробный запуск с пульта дистанционного управления согласно разделу "7.2.1 Использование пульта дистанционного управления".

SW3-1	ON (Вкл.)	Работа в режиме охлаждения
SW3-2	OFF (Выкл.)	
SW3-1	ON (Вкл.)	Работа в режиме обогрева
SW3-2	ON (Вкл.)	

- * После выполнения пробного прогона, установите SW3-1 на OFF (Выкл.).
- Через несколько секунд после запуска компрессора внутри наружного прибора может появиться шум (лязг). Этот шум исходит от контрольного крана вследствие небольшого перепада давления в трубах. Это не является неисправностью.

Режим тестового прогона во время его выполнения невозможно изменить DIP-переключателем SW3-2. (Для смены режима тестового прогона во время его выполнения прервите выполнение с помощью DIP-переключателя SW3-1. После смены режима продолжайте выполнение тестового прогона, включив DIP-переключатель SW3-1.)

- ⑥ Полностью закройте запорный газовый клапан, когда показания давления на манометре упадут до уровня 0,05–0,00 МПа (приблизительно 0,5–0,0 кгс/см²)
- ⑦ Установите переключатель SW3-1 в положение OFF (ВЫКЛ.), чтобы остановить работу кондиционера воздуха. (Переведите сервисный переключатель внешнего прибора SW2-4 из положения ON (ВКЛ.) в положение OFF (ВЫКЛ.).)
- ⑧ Отключите подачу питания (с помощью автоматического выключателя).
- * Если в систему добавлено слишком много хладагента, давление может не упасть до уровня 0,5 кгс/см². В этом случае используйте устройство для сбора хладагента, чтобы собрать весь хладагент из системы, и затем повторно заправьте систему правильным количеством хладагента после перемещения внутреннего и внешнего прибора.

⚠ Внимание:

При откачке охлаждающей жидкости, прежде чем отсоединить трубы, следует остановить компрессор. При попадании в систему постороннего вещества, например воздуха, может произойти взрыв компрессора, что приведет к травмированию.

This product is designed and intended for use in the residential,
commercial and light-industrial environment.

The product at hand is
based on the following
EU regulations:

- Low Voltage Directive 2006/95 EC
- Electromagnetic Compatibility Directive 89/
2004/108/EC

Please be sure to put the contact address/telephone number on
this manual before handing it to the customer.



mitsubishi electric corporation

HEAD OFFICE: TOKYO BLDG., 2-7-3, MARUNOUCHI, CHIYODA-KU, TOKYO 100-8310, JAPAN
Authorized representative in EU: MITSUBISHI ELECTRIC EUROPE B.V
HARMAN HOUSE, 1 GEORGE STREET, UXBRIDGE,
MIDDLESEX UB8 1QQ, UK