

Air-Conditioners

Кондиционеры

PU(H)-P·HA

INSTALLATION MANUAL

For safe and correct use, read this manual and the indoor unit installation manual thoroughly before installing the air-conditioner unit.

FOR INSTALLER

INSTALLATIONSHANDBUCH

Aus Sicherheitsgründen und zur richtigen Verwendung vor der Installation die vorliegende Bedienungsanleitung und die Installationsanleitung der Innenanlage gründlich durchlesen die Klimaanlage.

FÜR INSTALLATEURE

MANUEL D'INSTALLATION

Avant d'installer le climatiseur, lire attentivement ce manuel, ainsi que le manuel d'installation de l'appareil intérieur pour une utilisation sûre et correcte.

POUR L'INSTALLATEUR

INSTALLATIEHANDLEIDING

Lees deze handleiding en de installatiehandleiding van het binnenapparaat zorgvuldig door voordat u met het installeren van de airconditioner begint.

VOOR DE INSTALLATEUR

MANUAL DE INSTALACIÓN

Para un uso correcto y seguro, lea detalladamente este manual y el manual de instalación de la unidad interior antes de instalar la unidad de aire acondicionado.

PARA EL INSTALADOR

MANUALE DI INSTALLAZIONE

Per un uso sicuro e corretto, leggere attentamente il presente manuale ed il manuale d'installazione dell'unità interna prima di installare il condizionatore d'aria.

PER L'INSTALLATORE

ΕΓΧΕΙΡΙΔΙΟ ΟΔΗΓΙΩΝ ΕΓΚΑΤΑΣΤΑΣΗΣ

Για σωστή και ασφαλή χρήση, διαβάστε προσεκτικά αυτό το εγχειρίδιο καθώς και το εγχειρίδιο εγκατάστασης της εσωτερικής μονάδας, προτού εγκαταστήσετε τη μονάδα του κλιματιστικού.

ΓΙΑ ΑΥΤΟΝ ΠΟΥ ΚΑΝΕΙ ΤΗΝ ΕΓΚΑΤΑΣΤΑΣΗ

MANUAL DE INSTALAÇÃO

Para uma utilização segura e correcta, leia atentamente este manual e o manual de instalação da unidade interior antes de instalar o aparelho de ar condicionado.

PARA O INSTALADOR

INSTALLATIONSMANUAL

Læs af sikkerhedshensyn denne manual samt manualen til installation af indendørsenheden grundigt, før du installerer klimaanlægget.

TIL INSTALLATØREN

INSTALLATIONSMANUAL

Läs bruksanvisningen och inomhusenhetens installationshandbok noga innan luftkonditioneringen installeras så att den används på ett säkert och korrekt sätt.

FÖR INSTALLATÖREN

MONTAJ ELKİTABI

Emniyetli ve doğru kullanım için, klima cihazını monte etmeden önce bu kılavuzu ve iç ünite montaj kılavuzunu tamamiyla okuyun.

MONTÖR İÇİN

РУКОВОДСТВО ПО УСТАНОВКЕ

Для обеспечения безопасной и надлежащей эксплуатации внимательно прочтите данное руководство и руководство по установке внутреннего прибора перед установкой кондиционера.

ДЛЯ УСТАНОВИТЕЛЯ**English****Deutsch****Français****Nederlands****Español****Italiano****Ελληνικά****Português****Dansk****Svenska****Türkçe****Русский**

Contents

1. Safety precautions	2	6. Electrical work.....	7
2. Installation location	3	7. Test run.....	8
3. Installing the outdoor unit	4	8. Special Functions	9
4. Installing the refrigerant piping	5	9. System control (Fig. 9-1).....	9
5. Drainage piping work	7	10. Serial number	10

⚠ Caution:

- Do not vent R410A into the Atmosphere:
- R410A is a Fluorinated Greenhouse gas, covered by the Kyoto Protocol, with a Global Warming Potential (GWP)=1975.

1. Safety precautions

- ▶ Before installing the unit, make sure you read all the "Safety precautions".
- ▶ This equipment does not comply with the relevant technical standard for the limitation of flicker and this may cause adverse effects on other electrical appliances. Please provide an exclusive circuit for the air conditioner and ensure the max. impedance in this manual. Do not connect other appliances to this circuit.
- ▶ Please report to or take consent by the supply authority before connection to the system.

⚠ Warning:

Describes precautions that must be observed to prevent danger of injury or death to the user.

⚠ Caution:

Describes precautions that must be observed to prevent damage to the unit.

⚠ Warning:

- The unit must not be installed by the user. Ask a dealer or an authorized technician to install the unit. If the unit is installed incorrectly, water leakage, electric shock, or fire may result.
- For installation work, follow the instructions in the Installation Manual and use tools and pipe components specifically made for use with R410A refrigerant. The R410A refrigerant in the HFC system is pressurized 1.6 times the pressure of usual refrigerants. If pipe components not designed for R410A refrigerant are used and the unit is not installed correctly, the pipes may burst and cause damage or injuries. In addition, water leakage, electric shock, or fire may result.
- The unit must be installed according to the instructions in order to minimize the risk of damage from earthquakes, typhoons, or strong winds. An incorrectly installed unit may fall down and cause damage or injuries.
- The unit must be securely installed on a structure that can sustain its weight. If the unit is mounted on an unstable structure, it may fall down and cause damage or injuries.
- If the air conditioner is installed in a small room, measures must be taken to prevent the refrigerant concentration in the room from exceeding the safety limit in the event of refrigerant leakage. Consult a dealer regarding the appropriate measures to prevent the allowable concentration from being exceeded. Should the refrigerant leak and cause the concentration limit to be exceeded, hazards due to lack of oxygen in the room may result.
- Ventilate the room if refrigerant leaks during operation. If refrigerant comes into contact with a flame, poisonous gases will be released.
- All electric work must be performed by a qualified technician according to local regulations and the instructions given in this manual. The units must be powered by dedicated power lines and the correct voltage and circuit breakers must be used. Power lines with insufficient capacity or incorrect electrical work may result in electric shock or fire.
- Use C1220 copper phosphorus, for copper and copper alloy seamless

After installation work has been completed, explain the "Safety Precautions," use, and maintenance of the unit to the customer according to the information in the Operation Manual and perform the test run to ensure normal operation. Both the Installation Manual and Operation Manual must be given to the user for keeping. These manuals must be passed on to subsequent users.

⚡ : Indicates a part which must be grounded.

⚠ Warning:

Carefully read the labels affixed to the main unit.

- pipes, to connect the refrigerant pipes. If the pipes are not connected correctly, the unit will not be properly grounded and electric shock may result.
- Use only specified cables for wiring. The wiring connections must be made securely with no tension applied on the terminal connections. Also, never splice the cables for wiring (unless otherwise indicated in this document). Failure to observe these instructions may result in overheating or a fire.
- The terminal block cover panel of the outdoor unit must be firmly attached. If the cover panel is mounted incorrectly and dust and moisture enter the unit, electric shock or fire may result.
- When installing or relocating, or servicing the air conditioner, use only the specified refrigerant (R410A) to charge the refrigerant lines. Do not mix it with any other refrigerant and do not allow air to remain in the lines. If air is mixed with the refrigerant, then it can be the cause of abnormal high pressure in the refrigerant line, and may result in an explosion and other hazards. The use of any refrigerant other than that specified for the system will cause mechanical failure or system malfunction or unit breakdown. In the worst case, this could lead to a serious impediment to securing product safety.
- Use only accessories authorized by Mitsubishi Electric and ask a dealer or an authorized technician to install them. If accessories are incorrectly installed, water leakage, electric shock, or fire may result.
- Do not alter the unit. Consult a dealer for repairs. If alterations or repairs are not performed correctly, water leakage, electric shock, or fire may result.
- The user should never attempt to repair the unit or transfer it to another location. If the unit is installed incorrectly, water leakage, electric shock, or fire may result. If the air conditioner must be repaired or moved, ask a dealer or an authorized technician.
- After installation has been completed, check for refrigerant leaks. If refrigerant leaks into the room and comes into contact with the flame of a heater or portable cooking range, poisonous gases will be released.

1.1. Before installation

⚠ Caution:

- Do not use the unit in an unusual environment. If the air conditioner is installed in areas exposed to steam, volatile oil (including machine oil), or sulfuric gas, areas exposed to high salt content such as the seaside, or areas where the unit will be covered by snow, the performance can be significantly reduced and the internal parts can be damaged.
- Do not install the unit where combustible gases may leak, be produced, flow, or accumulate. If combustible gas accumulates around the unit, fire or explosion may result.
- The outdoor unit produces condensation during the heating operation. Make sure to provide drainage around the outdoor unit if such condensation is likely to cause damage.

- When installing the unit in a hospital or communications office, be prepared for noise and electronic interference. Inverters, home appliances, high-frequency medical equipment, and radio communications equipment can cause the air conditioner to malfunction or breakdown. The air conditioner may also affect medical equipment, disturbing medical care, and communications equipment, harming the screen display quality.

1.2. Before installation (relocation)

⚠ Caution:

- Be extremely careful when transporting or installing the units. 2 or more persons are needed to handle the unit, as it weighs 20 kg or more. Do not grasp the packaging bands. Wear protective gloves to remove the unit from the packaging and to move it, as you can injure your hands on the fins or the edge of other parts.
- Be sure to safely dispose of the packaging materials. Packaging materials, such as nails and other metal or wooden parts may cause stabs or other injuries.

- The base and attachments of the outdoor unit must be periodically checked for looseness, cracks or other damage. If such defects are left uncorrected, the unit may fall down and cause damage or injuries.
- Do not clean the air conditioner unit with water. Electric shock may result.
- Tighten all flare nuts to specification using a torque wrench. If tightened too much, the flare nut can break after an extended period and refrigerant can leak out.

1. Safety precautions

1.3. Before electric work

⚠ Caution:

- Be sure to install circuit breakers. If not installed, electric shock may result.
- For the power lines, use standard cables of sufficient capacity. Otherwise, a short circuit, overheating, or fire may result.
- When installing the power lines, do not apply tension to the cables. If the connections are loosened, the cables can snap or break and overheating or fire may result.

- Be sure to ground the unit. Do not connect the ground wire to gas or water pipes, lighting rods, or telephone grounding lines. If the unit is not properly grounded, electric shock may result.
- Use circuit breakers (ground fault interrupter, isolating switch (+B fuse), and molded case circuit breaker) with the specified capacity. If the circuit breaker capacity is larger than the specified capacity, breakdown or fire may result.

1.4. Before starting the test run

⚠ Caution:

- Turn on the main power switch more than 12 hours before starting operation. Starting operation just after turning on the power switch can severely damage the internal parts. Keep the main power switch turned on during the operation season.
- Before starting operation, check that all panels, guards and other protective parts are correctly installed. Rotating, hot, or high voltage parts can cause injuries.
- Do not touch any switch with wet hands. Electric shock may result.

- Do not touch the refrigerant pipes with bare hands during operation. The refrigerant pipes are hot or cold depending on the condition of the flowing refrigerant. If you touch the pipes, burns or frostbite may result.
- After stopping operation, be sure to wait at least five minutes before turning off the main power switch. Otherwise, water leakage or breakdown may result.

Note:

A low knocking sound might be heard from the Fan Section of this unit during the test run. This is caused by the torque fluctuating to control the Fan revolutions. This is not a defect in the unit.

1.5. Using R410A refrigerant air conditioners

⚠ Caution:

- Use new refrigerant pipes.
 - Note the following if reusing existing pipes that carried R22 refrigerant.
 - Be sure to clean the pipes and make sure that the insides of the pipes are clean.
 - Replace the existing flare nuts and flare the flared sections again.
 - Do not use thin pipes. (Refer to page 5)
- Use C1220 copper phosphorus, for copper and copper alloy seamless pipes, to connect the refrigerant pipes. Make sure the insides of the pipes are clean and do not contain any harmful contaminants such as sulfuric compounds, oxidants, debris, or dust. Use pipes with the specified thickness. (Refer to page 5)
- Store the pipes to be used during installation indoors and keep both ends of the pipes sealed until just before brazing. (Leave elbow joints, etc. in their packaging.) If dust, debris, or moisture enters the refrigerant lines, oil deterioration or compressor breakdown may result.
- Use ester oil, ether oil, alkylbenzene oil (small amount) as the refrigeration oil applied to the flared sections. If mineral oil is mixed in the refrigeration oil, oil deterioration may result.

- Do not use refrigerant other than R410A refrigerant. If another refrigerant is used, the chlorine will cause the oil to deteriorate.
- Use a vacuum pump with a reverse flow check valve. If the vacuum pump oil flows backward into the refrigerant lines, refrigerant oil deterioration may result.
- Use the following tools specifically designed for use with R410A refrigerant. The following tools are necessary to use R410A refrigerant. Contact your nearest dealer for any questions.

Tools (for R410A)	
Gauge manifold	Flare tool
Charge hose	Size adjustment gauge
Gas leak detector	Vacuum pump adapter
Torque wrench	Electronic refrigerant charging scale

- Be sure to use the correct tools. If dust, debris, or moisture enters the refrigerant lines, refrigeration oil deterioration may result.
- Do not use a charging cylinder. If a charging cylinder is used, the composition of the refrigerant will change and the efficiency will be lowered.

2. Installation location

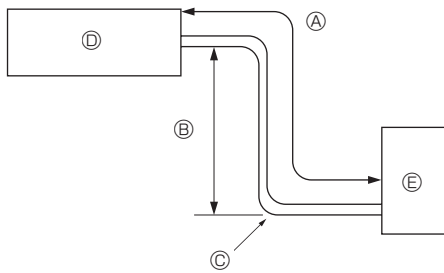


Fig. 2-1

2.1. Refrigerant pipe (Fig. 2-1)

▶ Check that the difference between the heights of the indoor and outdoor units, the length of refrigerant pipe, and the number of bends in the pipe are within the limits shown below.

Models	Ⓐ Pipe length (one way)	Ⓑ Height difference	Ⓒ Number of bends (one way)
P71,100,125,140	Max. 50 m	Max. 30 m	Max. 15

- Height difference limitations are binding regardless of which unit, indoor or outdoor, is positioned higher.
- Ⓓ Indoor unit
- Ⓔ Outdoor unit

■ P71-P140

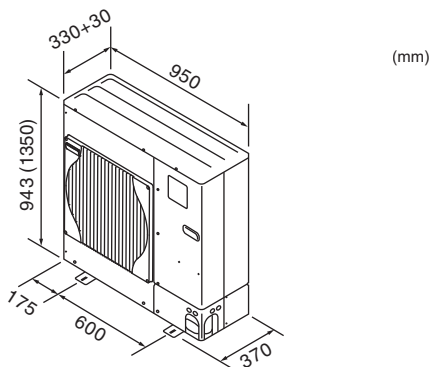


Fig. 2-2

2.2. Choosing the outdoor unit installation location

- Avoid locations exposed to direct sunlight or other sources of heat.
- Select a location from which noise emitted by the unit will not inconvenience neighbors.
- Select a location permitting easy wiring and pipe access to the power source and indoor unit.
- Avoid locations where combustible gases may leak, be produced, flow, or accumulate.
- Note that water may drain from the unit during operation.
- Select a level location that can bear the weight and vibration of the unit.
- Avoid locations where the unit can be covered by snow. In areas where heavy snow fall is anticipated, special precautions such as raising the installation location or installing a hood on the air intake must be taken to prevent the snow from blocking the air intake or blowing directly against it. This can reduce the airflow and a malfunction may result.
- Avoid locations exposed to oil, steam, or sulfuric gas.
- Use the transportation handles of the outdoor unit to transport the unit. If the unit is carried from the bottom, hands or fingers may be pinched.

2.3. Outline dimensions (Outdoor unit) (Fig. 2-2)

The figure in parenthesis is for P125, P140 models.

2. Installation location

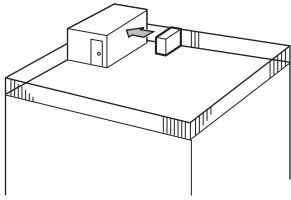


Fig. 2-3

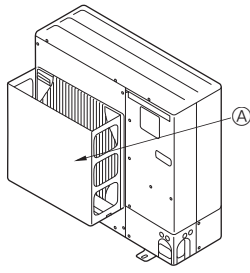


Fig. 2-4

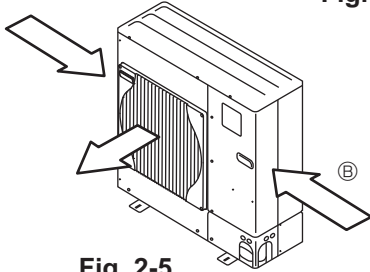


Fig. 2-5

2.4. Ventilation and service space

2.4.1. Windy location installation

When installing the outdoor unit on a rooftop or other location unprotected from the wind, situate the air outlet of the unit so that it is not directly exposed to strong winds. Strong wind entering the air outlet may impede the normal airflow and a malfunction may result.

The following shows three examples of precautions against strong winds.

- ① Face the air outlet towards the nearest available wall about 50 cm away from the wall. (Fig. 2-3)
- ② Install an optional air guide if the unit is installed in a location where strong winds from a typhoon, etc. may directly enter the air outlet. (Fig. 2-4)
 - Ⓐ Air outlet guide
- ③ Position the unit so that the air outlet blows perpendicularly to the seasonal wind direction, if possible. (Fig. 2-5)
 - Ⓑ Wind direction

2.4.2. When installing a single outdoor unit (Refer to the last page)

Minimum dimensions are as follows, except for Max., meaning Maximum dimensions, indicated.

The figures in parentheses are for P125, P140 models.

Refer to the figures for each case.

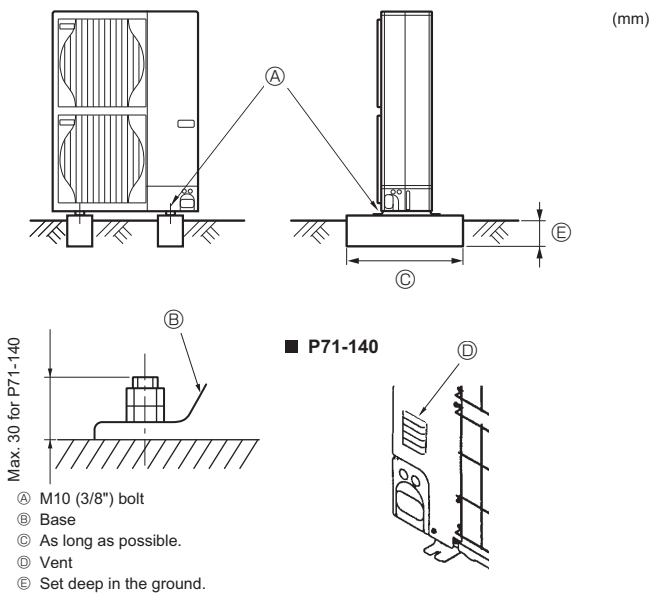
- ① Obstacles at rear only (Fig. 2-6)
- ② Obstacles at rear and above only (Fig. 2-7)
- ③ Obstacles at rear and sides only (Fig. 2-8)
- ④ Obstacles at front only (Fig. 2-9)
 - * When using an optional air outlet guide, the clearance for P125, P140 models is 500 mm or more.
- ⑤ Obstacles at front and rear only (Fig. 2-10)
 - * When using an optional air outlet guide, the clearance for P125, P140 models is 500 mm or more.
- ⑥ Obstacles at rear, sides, and above only (Fig. 2-11)
 - Do not install the optional air outlet guides for upward airflow.

2.4.3. When installing multiple outdoor units (Refer to the last page)

Leave 10 mm for P71-140 space or more between the units.

- ① Obstacles at rear only (Fig. 2-12)
- ② Obstacles at rear and above only (Fig. 2-13)
 - No more than three units must be installed side by side. In addition, leave space as shown.
 - Do not install the optional air outlet guides for upward airflow.
- ③ Obstacles at front only (Fig. 2-14)
 - * When using an optional air outlet guide, the clearance for P125, P140 models is 1000 mm or more.
- ④ Obstacles at front and rear only (Fig. 2-15)
 - * When using an optional air outlet guide, the clearance for P125, P140 models is 1000 mm or more.
- ⑤ Single parallel unit arrangement (Fig. 2-16)
 - * When using an optional air outlet guide installed for upward airflow, the clearance is 500 (1000) mm or more.
- ⑥ Multiple parallel unit arrangement (Fig. 2-17)
 - * When using an optional air outlet guide installed for upward airflow, the clearance is 1000 (1500) mm or more.
- ⑦ Stacked unit arrangement (Fig. 2-18)
 - The units can be stacked up to two units high.
 - No more than 2 stacked units must be installed side by side. In addition, leave space as shown.

3. Installing the outdoor unit



■ P71-140

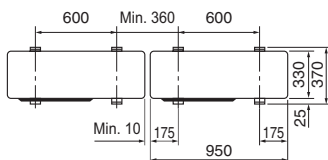


Fig. 3-1

- Be sure to install the unit in a sturdy, level surface to prevent rattling noises during operation. (Fig. 3-1)

<Foundation specifications>

Foundation bolt	M10 (3/8")
Thickness of concrete	120 mm
Length of bolt	70 mm
Weight-bearing capacity	320 kg

- Make sure that the length of the foundation bolt is within 30 mm of the bottom surface of the base.
- Secure the base of the unit firmly with four-M10 foundation bolts in sturdy locations.

Installing the outdoor unit

- Do not block the vent. If the vent is blocked, operation will be hindered and breakdown may result.
- In addition to the unit base, use the installation holes on the back of the unit to attach wires, etc., if necessary to install the unit. Use self-tapping screws (ø5 × 15 mm or less) and install on site.

⚠ Warning:

- **The unit must be securely installed on a structure that can sustain its weight. If the unit is mounted on an unstable structure, it may fall down and cause damage or injuries.**
- **The unit must be installed according to the instructions in order to minimize the risk of damage from earthquakes, typhoons, or strong winds. An incorrectly installed unit may fall down and cause damage or injuries.**

4. Installing the refrigerant piping

4.1. Precautions for devices that use R410A refrigerant

- Refer to page 3 for precautions not included below on using air conditioners with R410A refrigerant.
- Use ester oil, ether oil, alkylbenzene oil (small amount) as the refrigeration oil applied to the flared sections.
- Use C1220 copper phosphorus, for copper and copper alloy seamless pipes, to connect the refrigerant pipes. Use refrigerant pipes with the thicknesses specified in the table to the below. Make sure the insides of the pipes are clean and do not contain any harmful contaminants such as sulfuric compounds, oxidants, debris, or dust.

⚠ Warning:

When installing or relocating, or servicing the air conditioner, use only the specified refrigerant (R410A) to charge the refrigerant lines. Do not mix it with any other refrigerant and do not allow air to remain in the lines.

If air is mixed with the refrigerant, then it can be the cause of abnormal high pressure in the refrigerant line, and may result in an explosion and other hazards.

The use of any refrigerant other than that specified for the system will cause mechanical failure or system malfunction or unit breakdown. In the worst case, this could lead to a serious impediment to securing product safety.

P71-140	
Liquid pipe	ø9.52 thickness 0.8 mm
Gas pipe	ø15.88 thickness 1.0 mm

- Do not use pipes thinner than those specified above.

4.2. Connecting pipes (Fig. 4-1)

- When commercially available copper pipes are used, wrap liquid and gas pipes with commercially available insulation materials (heat-resistant to 100 °C or more, thickness of 12 mm or more).
- Be sure to separate thermal insulation for gas and liquid refrigerant pipes.
- The indoor parts of the drain pipe should be wrapped with polyethylene foam insulation materials (specific gravity of 0.03, thickness of 9 mm or more).
- Apply thin layer of refrigerant oil to pipe and joint seating surface before tightening flare nut. ①
- Use 2 wrenches to tighten piping connections. ②
- Use leak detector or soapy water to check for gas leaks after connections are completed.
- Apply refrigerating machine oil over the entire flare seat surface. ③
- Use the flare nuts for the following pipe size. ④

P71-140		
Gas side	Pipe size (mm)	ø15.88
Liquid side	Pipe size (mm)	ø9.52

- When bending the pipes, be careful not to break them. Bend radius of 100 mm to 150 mm are sufficient.
- Make sure the pipes do not contact the compressor. Abnormal noise or vibration may result.

① Pipes must be connected starting from the indoor unit.

Flare nuts must be tightened with a torque wrench.

② Flare the liquid pipes and gas pipes and apply a thin layer of refrigeration oil (Applied on site).

• When usual pipe sealing is used, refer to Table 1 for flaring of R410A refrigerant pipes.

The size adjustment gauge can be used to confirm A measurements.

⚠ Warning:

When installing the unit, securely connect the refrigerant pipes before starting the compressor.

Table 1 (Fig. 4-2)

Copper pipe O.D. (mm)	A (mm)	
	Flare tool for R410A	Flare tool for R22-R407C
	Clutch type	
ø6.35 (1/4")	0 - 0.5	1.0 - 1.5
ø9.52 (3/8")	0 - 0.5	1.0 - 1.5
ø12.7 (1/2")	0 - 0.5	1.0 - 1.5
ø15.88 (5/8")	0 - 0.5	1.0 - 1.5
ø19.05 (3/4")	0 - 0.5	1.0 - 1.5

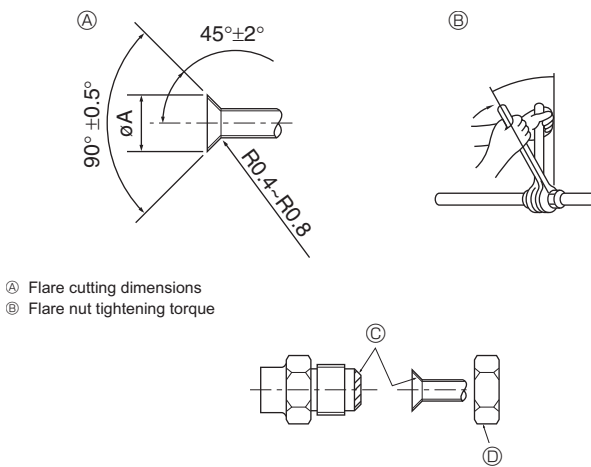


Fig. 4-1

① (Fig. 4-1)

Copper pipe O.D. (mm)	Flare dimensions øA dimensions (mm)
ø6.35	8.7 - 9.1
ø9.52	12.8 - 13.2
ø12.7	16.2 - 16.6
ø15.88	19.3 - 19.7
ø19.05	23.6 - 24.0

② (Fig. 4-1)

Copper pipe O.D. (mm)	Flare nut O.D. (mm)	Tightening torque (N·m)
ø6.35	17	14 - 18
ø6.35	22	34 - 42
ø9.52	22	34 - 42
ø12.7	26	49 - 61
ø12.7	29	68 - 82
ø15.88	29	68 - 82
ø15.88	36	100 - 120
ø19.05	36	100 - 120

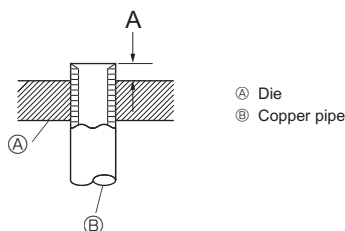


Fig. 4-2

4. Installing the refrigerant piping

■ P71-140

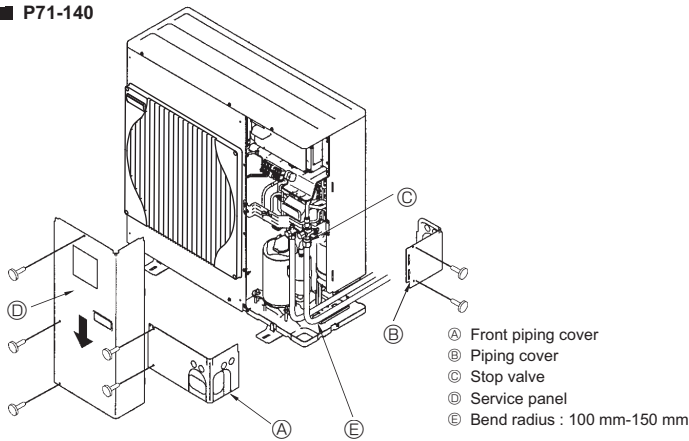
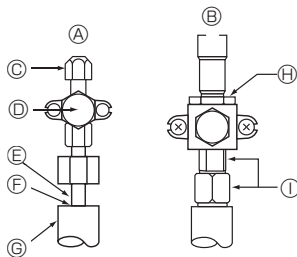


Fig. 4-3



- Ⓐ Stop valve <Liquid side>
- Ⓑ Stop valve <Gas side>
- Ⓒ Service port
- Ⓓ Open/Close section
- Ⓔ Local pipe
- Ⓕ Sealed, same way for gas side
- Ⓖ Pipe cover
- Ⓗ Do not use a wrench here. Refrigerant leakage may result.
- Ⓘ Use 2 wrenches here.

Fig. 4-4

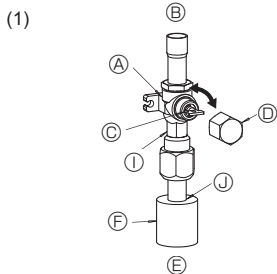


Fig. 4-5

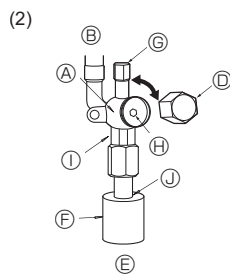
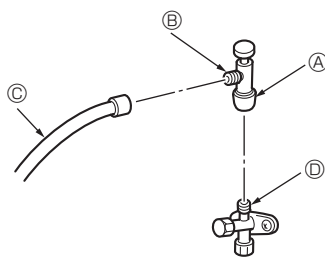


Fig. 4-6

- Ⓐ Valve
- Ⓑ Unit side
- Ⓒ Handle
- Ⓓ Cap
- Ⓔ Local pipe side
- Ⓕ Pipe cover
- Ⓖ Service port
- Ⓗ Wrench hole
- Ⓙ Double spanner section (Do not apply a spanner other than to this section. Doing so would cause coolant leaks.)
- Ⓚ Seal section (Seal the end of the heat insulation material at the pipe connection section with whatever seal material you have on hand so that water does not infiltrate the heat insulation material.)



- * The figure to the left is an example only. The stop valve shape, service port position, etc., may vary according to the model.
- * Turn section Ⓐ only. (Do not further tighten sections Ⓐ and Ⓑ together.)

- Ⓒ Charge hose
- Ⓑ Service port

Fig. 4-7

4.3. Refrigerant piping (Fig. 4-3)

■ For P71-140

Remove the service panel Ⓓ (3 screws) and the front piping cover Ⓐ (2 screws) and rear piping cover Ⓑ (2 screws).

- ① Perform refrigerant piping connections for the indoor/outdoor unit when the outdoor unit's stop valve is completely closed.
- ② Vacuum-purge air from the indoor unit and the connection piping.
- ③ After connecting the refrigerant pipes, check the connected pipes and the indoor unit for gas leaks. (Refer to 4.4 Refrigerant pipe airtight testing method)
- ④ A high-performance vacuum pump is used at the stop valve service port to maintain a vacuum for an adequate time (at least 1 hour after reaching -101 kPa (5 Torr)) in order to vacuum dry the inside of the pipes. Always check the degree of vacuum at the gauge manifold. If there is any moisture left in the pipe, the degree of vacuum is sometimes not reached with short-time vacuum application. After vacuum drying, completely open the stop valves (both liquid and gas) for the outdoor unit. This completely links the indoor and outdoor refrigerant circuits.
 - If the vacuum drying is inadequate, air and water vapor remain in the refrigerant circuits and can cause abnormal rise of high pressure, abnormal drop of low pressure, deterioration of the refrigerant machine oil due to moisture, etc.
 - If the stop valves are left closed and the unit is operated, the compressor and control valves will be damaged.
 - Use a leak detector or soapy water to check for gas leaks at the pipe connection sections of the outdoor unit.
 - Do not use the refrigerant from the unit to purge air from the refrigerant lines.
 - After the valve work is completed, tighten the valve caps to the correct torque: $20 \text{ to } 25 \text{ N}\cdot\text{m}$ ($200 \text{ to } 250 \text{ kgf}\cdot\text{cm}$). Failure to replace and tighten the caps may result in refrigerant leakage. In addition, do not damage the insides of the valve caps as they act as a seal to prevent refrigerant leakage.
- ⑤ Use sealant to seal the ends of the thermal insulation around the pipe connection sections to prevent water from entering the thermal insulation.

4.4. Refrigerant pipe airtight testing method

- (1) Connect the testing tools.
 - Make sure the stop valves Ⓐ Ⓑ are closed and do not open them.
 - Add pressure to the refrigerant lines through the service port Ⓒ of the liquid stop valve Ⓓ.
- (2) Do not add pressure to the specified pressure all at once; add pressure little by little.
 - ① Pressurize to 0.5 MPa ($5 \text{ kgf/cm}^2\text{G}$), wait 5 minutes, and make sure the pressure does not decrease.
 - ② Pressurize to 1.5 MPa ($15 \text{ kgf/cm}^2\text{G}$), wait 5 minutes, and make sure the pressure does not decrease.
 - ③ Pressurize to 4.15 MPa ($41.5 \text{ kgf/cm}^2\text{G}$) and measure the surrounding temperature and refrigerant pressure.
- (3) If the specified pressure holds for about one day and does not decrease, the pipes have passed the test and there are no leaks.
 - If the surrounding temperature changes by $1 \text{ }^\circ\text{C}$, the pressure will change by about 0.03 MPa ($0.3 \text{ kgf/cm}^2\text{G}$). Make the necessary corrections.
- (4) If the pressure decreases in steps (2) or (3), there is a gas leak. Look for the source of the gas leak.

4.5. Stop valve opening method

The stop valve opening method varies according to the outdoor unit model. Use the appropriate method to open the stop valves.

(1) Gas side of P71-140 (Fig. 4-5)

- ① Remove the cap, pull the handle toward you and rotate $1/4$ turn in a counterclockwise direction to open.
 - ② Make sure that the stop valve is open completely, push in the handle and rotate the cap back to its original position.
- (2) Liquid side of P71-140 (Fig. 4-6)
- ① Remove the cap and turn the valve rod counterclockwise as far as it will go with the use of a 4 mm hexagonal wrench. Stop turning when it hits the stopper. ($\varnothing 9.52$: Approximately 10 revolutions)
 - ② Make sure that the stop valve is open completely and rotate the cap back to its original position.

Refrigerant pipes are protectively wrapped for P71-140

- The pipes can be protectively wrapped up to a diameter of $\varnothing 90$ before or after connecting the pipes. Cut out the knockout in the pipe cover following the groove and wrap the pipes.

Pipe inlet gap for P71-140

- Use putty or sealant to seal the pipe inlet around the pipes so that no gaps remain. (If the gaps are not closed, noise may be emitted or water and dust will enter the unit and breakdown may result.)

Precautions when using the charge valve (Fig.4-7)

Do not tighten the service port too much when installing it, otherwise, the valve core could be deformed and become loose, causing a gas leak.

After positioning section Ⓑ in the desired direction, turn section Ⓐ only and tighten it.

Do not further tighten sections Ⓐ and Ⓑ together after tightening section Ⓐ.

4. Installing the refrigerant piping

4.6. Addition of refrigerant

- Additional charging is not necessary if the pipe length does not exceed 30 m.
 - If the pipe length is exceeds 30 m, charge the unit with additional R410A refrigerant according to the permitted pipe lengths in the following table.
 - * When the unit is stopped, charge the unit with the additional refrigerant through the liquid stop valve after the pipe extensions and indoor unit have been vacuumized.
- When the unit is operating, add refrigerant to the gas check valve using a safety charger. Do not add liquid refrigerant directly to the check valve.

- * After charging the unit with refrigerant, note the added refrigerant amount on the service label (attached to the unit). Refer to the "1.5. Using R410A refrigerant air conditioners" for more information.
- Be careful when installing multiple units. Connecting to an incorrect indoor unit can lead to abnormally high pressure and have a serious effect on operation performance.

Model	Permitted pipe length	Permitted vertical difference	Additional refrigerant charging amount	
			31 - 40 m	41 - 50 m
P71-140	-50 m	-30 m	0.6 kg	1.2 kg

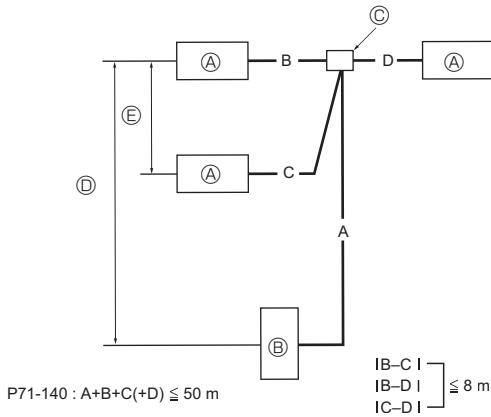


Fig. 4-8

4.7. For twin/triple combination

Refrigerant piping limitation of length, height difference are shown in the figure. (Fig. 4-8)

- Ⓐ Indoor unit
- Ⓑ Outdoor unit
- Ⓒ Multi distribution pipe (option)
- Ⓓ Height difference (Indoor unit-Outdoor unit) Max. 30 m
- Ⓔ Height difference (Indoor unit-Indoor unit) Max. 1 m

5. Drainage piping work

Outdoor unit drainage pipe connection

When drain piping is necessary, use the drain socket or the drain pan (option).

	P71-140
Drain socket	PAC-SG61DS-E
Drain pan	PAC-SG64DP-E

6. Electrical work

6.1. Outdoor unit (Fig. 6-1, Fig. 6-2)

- ① Remove the service panel.
- ② Wire the cables referring to the Fig. 6-1 and the Fig. 6-2.

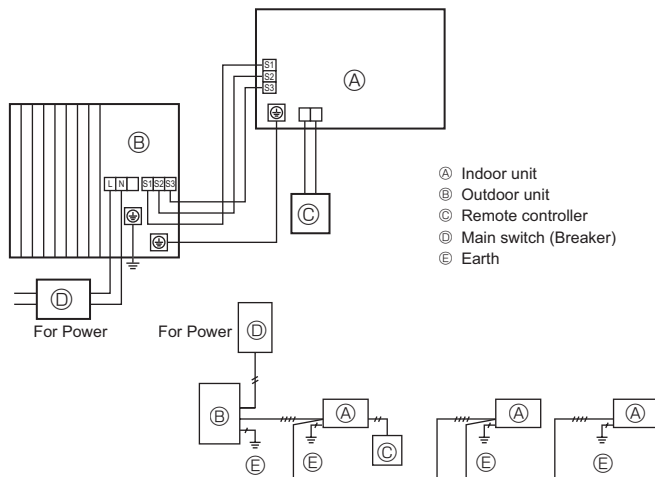
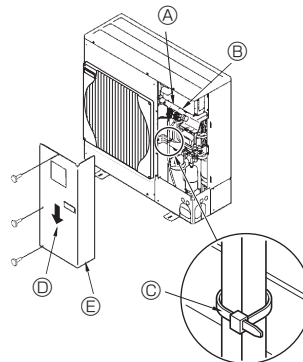
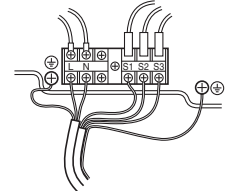


Fig. 6-1

■ P71-140



■ P71-100V



■ P71-140Y

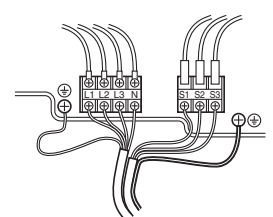


Fig. 6-2

⚠ Caution:
Be sure to install N-Line. Without N-Line, it could cause damage to unit.

6. Electrical work

6.2. Field electrical wiring

Outdoor unit model		P71V	P100V	P71Y	P100Y	P125Y	P140Y
Outdoor unit power supply		~N (single), 50 Hz, 230 V		3N~ (3 phase), 50 Hz, 400 V			
Outdoor unit input capacity Main switch (Breaker)		*1 32 A		16 A		25 A	
Max. Permissible System Impedance (Ω)		0.06		0.23	0.22	0.14	0.12
Wiring Wire No. x size (mm ²)	Outdoor unit power supply	2 × Min. 4		4 × Min. 1.5		4 × Min. 2.5	
	Outdoor unit power supply earth	1 × Min. 4		1 × Min. 1.5		1 × Min. 2.5	
	Indoor unit-Outdoor unit	*2		3 × 1.5 (Polar)			
	Indoor unit-Outdoor unit earth			1 × Min. 1.5			
Circuit rating	Remote controller-Indoor unit	*3		2 × 0.3 (Non-polar)			
	Outdoor unit L-N	*4		AC 230 V			
	Outdoor unit L1-N, L2-N, L3-N			AC 230 V			
	Indoor unit-Outdoor unit S1-S2	*4		DC 24 V			
	Indoor unit-Outdoor unit S2-S3	*4		DC 12 V			
	Remote controller-Indoor unit	*4		DC 12 V			

*1. A breaker with at least 3.0 mm contact separation in each poles shall be provided. Use earth leakage breaker (NV).

*2. Max. 45 m

If 2.5 mm² used, Max. 50 m

If 2.5 mm² used and S3 separated, Max. 80 m

*3. The 10 m wire is attached in the remote controller accessory.

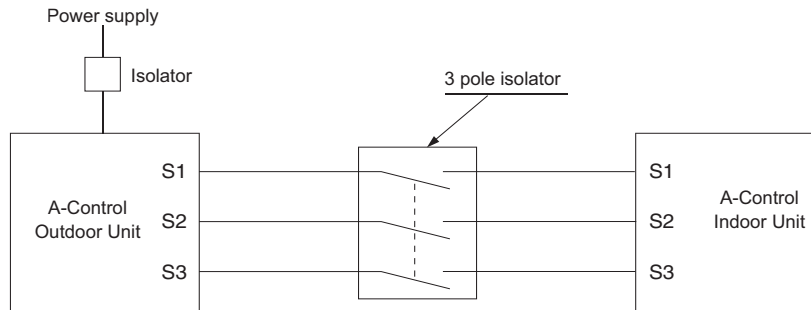
*4. The figures are NOT always against the ground.

S3 terminal has DC 24 V against S2 terminal. However between S3 and S1, these terminals are NOT electrically insulated by the transformer or other device.

Notes: 1. Wiring size must comply with the applicable local and national code.

2. Power supply cords and Indoor/Outdoor unit connecting cords shall not be lighter than polychloroprene sheathed flexible cord. (Design 60245 IEC 57)

3. Install an earth longer than other cables.



⚠ Warning:

In case of A-control wiring, there is high voltage potential on the S3 terminal caused by electrical circuit design that has no electrical insulation between power line and communication signal line. Therefore, please turn off the main power supply when servicing. And do not touch the S1, S2, S3 terminals when the power is energized. If isolator should be used between indoor unit and outdoor unit, please use 3-pole type.

Never splice the power cable or the indoor-outdoor connection cable, otherwise it may result in a smoke, a fire or communication failure.

7. Test run

7.1. Before test run

▶ After completing installation and the wiring and piping of the indoor and outdoor units, check for refrigerant leakage, looseness in the power supply or control wiring, wrong polarity, and no disconnection of one phase in the supply.

▶ Use a 500-volt megohmmeter to check that the resistance between the power supply terminals and ground is at least 1.0MΩ.

▶ Do not carry out this test on the control wiring (low voltage circuit) terminals.

⚠ Warning:

Do not use the air conditioner if the insulation resistance is less than 1.0MΩ.

Insulation resistance

After installation or after the power source to the unit has been cut for an extended period, the insulation resistance will drop below 1 MΩ due to refrigerant accumulating in the compressor. This is not a malfunction. Perform the following procedures.

1. Remove the wires from the compressor and measure the insulation resistance of the compressor.

2. If the insulation resistance is below 1 MΩ, the compressor is faulty or the resistance dropped due the accumulation of refrigerant in the compressor.

3. After connecting the wires to the compressor, the compressor will start to warm up after power is supplied. After supplying power for the times indicated below, measure the insulation resistance again.

- The insulation resistance drops due to accumulation of refrigerant in the compressor. The resistance will rise above 1 MΩ after the compressor is warmed up for 4 hours.

(The time necessary to warm up the compressor varies according to atmospheric conditions and refrigerant accumulation.)

- To operate the compressor with refrigerant accumulated in the compressor, the compressor must be warmed up at least 12 hours to prevent breakdown.

4. If the insulation resistance rises above 1 MΩ, the compressor is not faulty.

⚠ Caution:

- The compressor will not operate unless the power supply phase connection is correct.

- Turn on the power at least 12 hours before starting operation.

- Starting operation immediately after turning on the main power switch can result in severe damage to internal parts. Keep the power switch turned on during the operational season.

▶ The followings must be checked as well.

- The outdoor unit is not faulty. LED1 and LED2 on the control board of the outdoor unit flash when the outdoor unit is faulty.

- Both the gas and liquid stop valves are completely open.

- A protective sheet covers the surface of the DIP switch panel on the control board of the outdoor unit. Remove the protective sheet to operate the DIP switches easily.

- Make sure that the all of the SW5 DIP switches for function changes on the control board of the outdoor unit are set to OFF. If all of the SW5 switches are not set to OFF, record the settings and then set all of the switches to OFF. Begin recovering the refrigerant. After moving the unit to a new location and completing the test run, set the SW5 switches to the previously recorded settings.

Note:

A low knocking sound might be heard from the Fan Section of this unit during the test run. This is caused by the torque fluctuating to control the Fan revolutions. This is not a defect in the unit.

7. Test run

7.2. Test run

7.2.1. Using SW4 in outdoor unit

1) PUH Type

SW4-1	ON	Cooling operation
SW4-2	OFF	
SW4-1	ON	Heating operation
SW4-2	ON	

2) PU Type

SW4-1	ON	Cooling operation
SW4-2	OFF	

* After performing the test run, set SW4-1 to OFF.

• After power is supplied, a small clicking noise may be heard from the inside of the outdoor unit. The electronic expansion valve is opening and closing. The unit is not faulty.

• A few seconds after the compressor starts, a clanging noise may be heard from the inside of the outdoor unit. The noise is coming from the check valve due to the small difference in pressure in the pipes. The unit is not faulty.

• A low knocking sound might be heard from the Fan Section of this unit during the test run.

This is caused by the torque fluctuating to control the Fan revolutions. This is not a defect in the unit.

The test run operation mode cannot be changed by DIP switch SW4-2 during the test run. (To change the test run operation mode during the test run, stop the test run by DIP switch SW4-1. After changing the test run operation mode, resume the test run by switch SW4-1.)

7.2.2. Using remote controller

Refer to the indoor unit installation manual.

8. Special Functions

Refrigerant collecting (pump down)

Perform the following procedures to collect the refrigerant when moving the indoor unit or the outdoor unit.

① Supply power (circuit breaker).

* When power is supplied, make sure that "CENTRALLY CONTROLLED" is not displayed on the remote controller. If "CENTRALLY CONTROLLED" is displayed, the refrigerant collecting (pump down) cannot be completed normally.

* Start-up of the indoor-outdoor communication takes about 3 minutes after the power (circuit breaker) is turned on. Start the pump-down operation 3 to 4 minutes after the power (circuit breaker) is turned ON.

② After the liquid stop valve is closed, set SW1-1 on the control board of the outdoor unit to ON. The compressor (outdoor unit) and ventilators (indoor and outdoor units) start operating and refrigerant collecting operation begins. LED1 and LED2 on the control board of the outdoor unit are lit.

* Only set SW1-1 to ON if the unit is stopped. However, even if the unit is stopped and SW1-1 is set to ON less than three minutes after the compressor stops, the refrigerant collecting operation cannot be performed. Wait until compressor has been stopped for three minutes and then set SW1-1 to ON again.

③ Because the unit automatically stops in about two to three minutes when the refrigerant collecting operation is completed (LED1 off, LED2 lit), be sure to quickly close the gas stop valve. If LED1 is lit and LED2 is off and the outdoor unit is stopped, refrigerant collection is not properly performed. Open the liquid stop valve completely, and then repeat step ② after three minutes have passed.

* If the refrigerant collecting operation has been completed normally (LED1 off, LED2 lit), the unit will remain stopped until the power supply is turned off.

④ Turn off the power supply (circuit breaker).

* Note that when the extension piping is very long with large refrigerant amount, it may not be possible to perform a pump-down operation.

⚠ Warning:

When pumping down the refrigerant, stop the compressor before disconnecting the refrigerant pipes. The compressor may burst if air etc. get into it.

9. System control (Fig. 9-1)

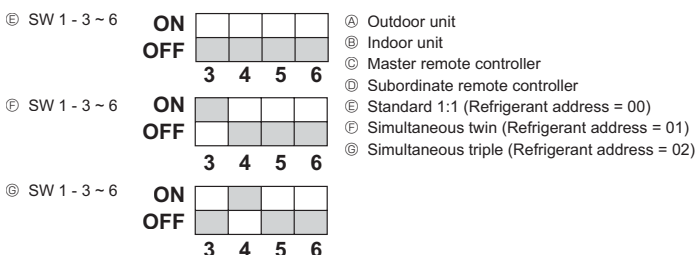


Fig. 9-1

* Set the refrigerant address using the DIP switch of the outdoor unit.

① Wiring from the Remote Control

This wire is connected to TB5 (terminal board for remote controller) of the indoor unit (non-polar).

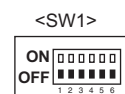
② When a Different Refrigerant System Grouping is Used.

Up to 16 refrigerant systems can be controlled as one group using the slim MA remote controller.

Note:

In single refrigerant system (twin/triple), there is no need of wiring ②.

SW1
Function table



Function	Operation according to switch setting	
	ON	OFF
1 Compulsory defrosting	Start	Normal
2 Error history clear	Clear	Normal
3 Refrigerant address setting	Settings for outdoor unit addresses 0 to 15	
4 system address setting		
5 address setting		
6		

10. Serial number

■ The serial number is indicated on the SPEC NAME PLATE.

Sequential number for each unit: 00001–99999

Month of manufacture: A (1), B (2), C (3), D (4), E (5), F (6), G (7), H (8), J (9), K (10), L (11), M (12)

Year of manufacture (western calendar) : 2014 → 4, 2015 → 5

Содержание

1. Меры предосторожности	91	6. Электрические работы	96
2. Место установки	92	7. Выполнение испытания	97
3. Установка наружного прибора	93	8. Специальные функции	98
4. Прокладка труб хладагента	94	9. Управление системой (Fig. 9-1)	98
5. Дренажные трубы	96	10. Серийный номер	99

⚠ Осторожно:

- Не выпускайте R410A в атмосферу:
- R410A является фторированным парниковым газом, использование которого ограничивается Киотским протоколом; потенциал глобального потепления (GWP) данного газа равен 1975.

1. Меры предосторожности

- ▶ До установки прибора убедитесь, что Вы прочли все “Меры предосторожности”.
- ▶ Данное оборудование не соответствует надлежащему техническому стандарту на ограничение пульсации, и это может оказать неблагоприятное воздействие на другие электрические приборы. Пожалуйста, обеспечьте отдельный контур для кондиционера воздуха, и следите за максимальным полным сопротивлением, указанным в данном руководстве. Не подключайте другие приборы к данному контуру.
- ▶ Пожалуйста, проконсультируйтесь с органами электроснабжения до подключения системы.

⚠ Предупреждение:

Описывает меры предосторожности, необходимые для предотвращения получения травмы или гибели пользователя.

⚠ Предупреждение:

- Прибор не должен устанавливаться пользователем. Для выполнения установки прибора обратитесь к дилеру или сертифицированному техническому специалисту. Неправильная установка аппарата может повлечь за собой протечку воды, удар электрическим током или возникновение пожара.
- При установочных работах следуйте инструкциям в Руководстве по установке. Используйте инструменты и детали трубопроводов, специально предназначенные для использования с хладагентом марки R410A. Хладагент R410A в HFC-системе находится под давлением в 1,6 раза большим, чем давление, создаваемое при использовании обычных хладагентов. Если компоненты трубопроводов не предназначены для использования с хладагентом R410A, и аппарат установлен неправильно, трубы могут лопнуть и причинить повреждение или нанести травму. Кроме того, это может привести к утечке воды, поражению электрическим током или возникновению пожара.
- Прибор должен быть установлен согласно инструкциям, чтобы свести к минимуму риск повреждения от землетрясений, тайфунов или сильных порывов ветра. Неправильно установленный прибор может упасть и причинить повреждение или нанести травму.
- Прибор должен быть установлен на конструкции, способной выдержать его вес. Прибор, установленный на неустойчивой конструкции, может упасть и причинить повреждение или нанести травму.
- Если кондиционер установлен в небольшом помещении, необходимо принять меры для предотвращения концентрации хладагента свыше безопасных пределов в случае утечки хладагента. Проконсультируйтесь у дилера относительно соответствующих мер, предотвращающих превышение допустимой концентрации. В случае утечки хладагента и превышении допустимой его концентрации из-за нехватки кислорода в помещении может произойти несчастный случай.
- Если во время работы прибора произошла утечка хладагента, проветрите помещение. При контакте хладагента с пламенем образуются ядовитые газы.
- Все электроработы должны выполняться квалифицированным техническим специалистом в соответствии с местными правилами и инструкциями, приведенными в данном Руководстве. Приборы должны быть подключены к специально выделенным линиям электропитания с соответствующим напряжением через автоматические выключатели. Использование линий электропитания недостаточной мощности или неправильно проведенных линий может привести к поражению электрическим током или возникновению пожара.
- Для соединения медных или медносплавных бесшовных труб, предназначенных для хладагента, используйте медный фосфор C1220. Если

⚠ Осторожно:

Описывает меры предосторожности, необходимые для предотвращения повреждения прибора.

После окончания установочных работ проинструктируйте пользователя относительно правил эксплуатации и обслуживания аппарата, а также ознакомьте с разделом “Меры предосторожности” в соответствии с информацией, приведенной в Руководстве по использованию аппарата, и выполните тестовый прогон аппарата для того, чтобы убедиться, что он работает нормально. Обязательно передайте пользователю на хранение экземпляры Руководства по установке и Руководства по эксплуатации. Эти Руководства должны быть переданы и последующим пользователям данного прибора.

⚠ : Указывает, что данная часть должна быть заземлена.

⚠ Предупреждение:

Внимательно прочтите текст на этикетках главного прибора.

трубы соединены неправильно, прибор не будет должным образом заземлен, что может привести к поражению электрическим током.

- Используйте для проводки указанные кабели. Убедитесь, что кабели надежно соединены, а оконечные соединения не натянуты. Никогда не соединяйте кабели внахлест (если иное не указано в прилагаемой документации). Несоблюдение этих инструкций может привести к перегреву или возгоранию.
- Крышка наружного прибора должна быть надежно присоединена к прибору. Если крышка установлена неправильно, в прибор могут попасть пыль и влага, что может привести к поражению электрическим током или возникновению пожара.
- При монтаже или перемещении, а также при обслуживании кондиционера используйте только указанный хладагент (R410A) для заполнения трубопроводов хладагента. Не смешивайте его ни с каким другим хладагентом и не допускайте наличия воздуха в трубопроводах. Наличие воздуха в трубопроводах может вызывать скачки давления, в результате которых может произойти взрыв или другие повреждения. Использование любого хладагента, отличного от указанного для этой системы, вызовет механическое повреждение, сбой в работе системы, или выход устройства из строя. В наихудшем случае, это может послужить серьезной преградой к обеспечению безопасной работы этого изделия.
- Используйте только те дополнительные принадлежности, на которые имеется разрешение от Mitsubishi Electric; для их установки обратитесь к дилеру или уполномоченному техническому специалисту. Неправильная установка дополнительных принадлежностей может привести к протечке воды, поражению электрическим током или возникновению пожара.
- Не изменяйте конструкцию прибора. При необходимости ремонта обратитесь к дилеру. Если изменения или ремонт выполнены неправильно, это может привести к протечке воды, удару электрическим током или возникновению пожара.
- Пользователю не следует пытаться ремонтировать прибор или перемещать его на другое место. Если прибор установлен неправильно, это может привести к утечке воды, удару электрическим током или возникновению пожара. Если необходимо отремонтировать или переместить кондиционер, обратитесь к дилеру или уполномоченному техническому специалисту.
- По окончании установки убедитесь в отсутствии утечки хладагента. Если хладагент проникнет в помещение и произойдет контакт его с пламенем обогревателя или переносного пищевого нагревателя, образуются ядовитые газы.

1.1. Перед установкой

⚠ Осторожно:

- Не используйте прибор в нестандартной окружающей среде. Установка кондиционера в местах, подверженных воздействию пара, летучих масел (включая машинное масло) или сернистых испарений, местах с повышенной концентрацией соли (таких, как берег моря), или местах, где прибор будет засыпан снегом, может привести к значительному снижению эффективности работы прибора или повреждению его внутренних частей.
- Не устанавливайте прибор в местах, где возможна утечка, возникновение, приток или накопление горючих газов. Если горючий газ будет накапливаться вокруг прибора, это может привести к возникновению пожара или взрыву.

- При использовании режима обогрева на наружном приборе образуется конденсат. Удостоверьтесь, что обеспечен хороший дренаж в районе наружного прибора, если этот конденсат может принести какой-либо вред.
- При монтаже прибора в больнице или центре связи примите во внимание шумовое и электронное воздействие. Работа таких устройств, как инверторы, бытовые приборы, высокочастотное медицинское оборудование и оборудование радиосвязи может вызвать сбой в работе кондиционера или его поломку. Кондиционер также может повлиять на работу медицинского оборудования и медицинское обслуживание, работу коммуникационного оборудования, вызывая искажение изображения на дисплее.

1.2. Перед установкой (перемещением)

⚠ Осторожно:

- Соблюдайте особую осторожность при транспортировке или установке приборов. Прибор должны переносить 2 или более человека, поскольку он весит не менее 20 кг. Не поднимайте прибор за упаковочные ленты. При извлечении прибора из упаковки или при его перемещении используйте защитные перчатки, во избежание травмирования рук о пластины или о другие выступающие части.
- Утилизируйте упаковочные материалы надлежащим образом. Упаковочные материалы, такие, как гвозди и другие металлические или деревянные части, могут поранить или причинить другие травмы.
- Необходимо периодически производить проверку основного блока

наружного прибора и установленных на нем компонентов на разболтанность, наличие трещин или других повреждений. Если такие дефекты оставить неисправленными, прибор может упасть и причинить повреждение или нанести травму.

- Не мойте кондиционер водой. Это может привести к поражению электрическим током.
- Затягивайте все хомуты на муфтах в соответствии со спецификациями, используя ключ с регулируемым усилием. Слишком сильно затянутый хомут муфты по прошествии некоторого времени может сломаться, что вызовет утечку хладагента.

1. Меры предосторожности

1.3. Перед электрическими работами

⚠ Осторожно:

- Обязательно установите автоматические выключатели. В противном случае возможно поражение электрическим током.
- Используйте для электропроводки стандартные кабели, рассчитанные на соответствующую мощность. В противном случае может произойти короткое замыкание, перегрев или пожар.
- При монтаже кабелей питания не прикладывайте растягивающих усилий. Если соединения ненадежны, кабель может отсоединиться или порваться, что может привести к перегреву или возникновению пожара.

1.4. Перед тестовым прогоном

⚠ Осторожно:

- Включайте главный выключатель питания не позднее, чем за 12 часов до начала эксплуатации. Запуск прибора сразу после включения выключателя питания может серьезно повредить внутренние части. Держите главный выключатель питания включенным в течение всего времени работы.
- Перед началом эксплуатации проверьте, что все пульты, щитки и другие защитные части правильно установлены. Вращающиеся, нагретые или находящиеся под напряжением части могут нанести травмы.
- Не прикасайтесь ни к каким выключателям влажными руками. Это может привести к поражению электрическим током.
- Не прикасайтесь к трубам с хладагентом голыми руками во время работы прибора. Трубы с хладагентом при работе прибора нагреваются или

- Обязательно заземлите прибор. Не присоединяйте провод заземления к газовым или водопроводным трубам, громоотводам или телефонным линиям заземления. Отсутствие надлежащего заземления может привести к поражению электрическим током.
- Используйте автоматические выключатели (прерыватель утечки тока на землю, разъединитель (плавающий предохранитель +B) и предохранитель корпуса) с указанным предельным током. Если предельный ток автоматического выключателя больше, чем необходимо, может произойти поломка или пожар.

охлаждаются в зависимости от состояния циркулирующего хладагента. Прикосновение к трубам может привести к ожогу или обморожению.

- После остановки прибора обязательно подождите по крайней мере пять минут перед выключением главного выключателя питания. В противном случае возможна протечка воды или поломка прибора.

Примечание:

Во время пробного запуска данного прибора из отсека вентилятора может быть слышен низкий стучащий звук. Это вызвано колебанием крутящего момента для управления скоростью вращения вала вентилятора. Это не является дефектом прибора.

1.5. Использование кондиционеров с хладагентом R410A

⚠ Осторожно:

- Используйте новые трубопроводы хладагента. Если используются существующие трубы, которые применялись для хладагента R22, обратите внимание на следующее.
- Обязательно очистите трубы и убедитесь в том, что внутренняя часть труб чистая.
- Замените хомуты на муфтах и перезатяните соединенные секции.
- Не используйте тонкие трубы. (См. стр. 94)
- Для соединения медных или медносплавных бесшовных труб, предназначенных для хладагента, используйте медный фосфор C1220. Удостоверьтесь, что внутри трубы чисты и не содержат никаких вредных загрязнителей, таких как соединения серы, окислители, мелкий мусор или пыль. Используйте трубы указанной толщины. (См. стр. 94)
- Храните трубы, предназначенные для установки в закрытом помещении, запечатанными, а также оставьте запечатанными их концы; распечатывайте их непосредственно перед пайкой. (Оставьте колеччатые трубы и т.д. в упаковке.) Если пыль, мелкий мусор или влага попадут в трубопроводы хладагента, может произойти порча масла или поломка компрессора.
- Используйте в качестве масла охлаждения для покрытия соединительных муфт масло сложного или простого эфира или алкилбензол (в небольшом количестве). Если в масле охлаждения присутствует минеральное масло, может произойти порча масла.

- Используйте только хладагент R410A. В случае использования другого хладагента хлор может испортить масло.
- Используйте вакуумный насос с контрольным клапаном обратного хода. Если масло вакуумного насоса потечёт обратно в линии хладагента, это может привести к ухудшению свойств масла хладагента.
- Используйте нижеперечисленные инструменты, специально предназначенные для работы с хладагентом R410A. Для работы с хладагентом R410A необходимы следующие инструменты. При возникновении каких-либо вопросов обратитесь к ближайшему дилеру.

Инструменты (для R410A)	
Набор шаблонов	Инструмент для затяжки муфт
Шланг зарядки	Калибр регулирования размера
Детектор утечки газа	Адаптер вакуумного насоса
Ключ с регулируемым усилием	Электронный измеритель зарядки хладагента

- Используйте только специальные инструменты. Попадание пыли, мелкого мусора или влаги в трубопроводы хладагента может привести к порче масла охлаждения.
- Не используйте для зарядки баллон. Использование баллона для зарядки приведет к изменению состава хладагента и снижению эффективности работы прибора.

2. Место установки

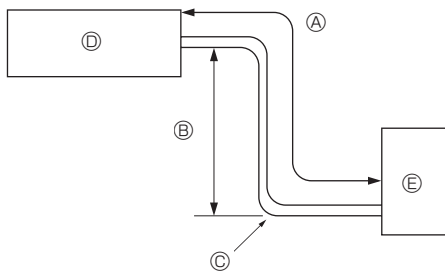


Fig. 2-1

2.1. Трубы хладагента (Fig. 2-1)

- ▶ Убедитесь в том, что перепад высоты между внутренним и наружным приборами, длина трубы хладагента и число изгибов в трубе не превышают указанных ниже пределов.

Модели	Ⓐ Длина трубы (в одну сторону)	Ⓑ Перепад высоты	Ⓒ Число изгибов (в одну сторону)
P71, 100, 125, 140	макс. 50 м	макс. 30 м	макс. 15

- Соблюдение ограничений по перепаду высоты является обязательным вне зависимости от того, какой прибор, - внутренний или наружный - устанавливается выше.
 - Ⓐ Внутренний прибор
 - Ⓑ Наружный прибор

2.2. Выбор места установки наружного прибора

- Не устанавливайте прибор в местах, подверженных воздействию прямых солнечных лучей или других источников нагрева.
- Выберите такое размещение, чтобы шум при работе прибора не беспокоил окружающих.
- Выберите место, удобное для проведения кабелей и трубопроводов к источнику питания и внутреннему прибору.
- Не устанавливайте прибор в местах, где возможна утечка, возникновение, приток или накопление горючих газов.
- Примите во внимание, что во время работы прибора из него может капать вода.
- Выберите место, способное выдержать вес и вибрацию прибора.
- Не устанавливайте прибор в местах, где он может быть засыпан снегом. В тех регионах, где возможны сильные снегопады, требуется принять специальные меры предосторожности (например, разместить прибор повыше или смонтировать на воздухозаборнике козырек) с целью предотвращения закупорки воздухозаборника снегом или прямого воздействия ветра. В противном случае возможно уменьшение потока воздуха, что может привести к сбою.
- Не устанавливайте прибор в местах, подверженных влиянию летучих масел, пара или сернистых испарений.
- Для транспортировки наружного прибора используйте четыре ручки, расположенные на приборе слева, справа, спереди и сзади. При переносе прибора за нижнюю часть можно придавить руки или пальцы.

2.3. Контурные габариты (Наружный прибор) (Fig. 2-2)

Цифры в скобках относятся к моделям P125, P140.

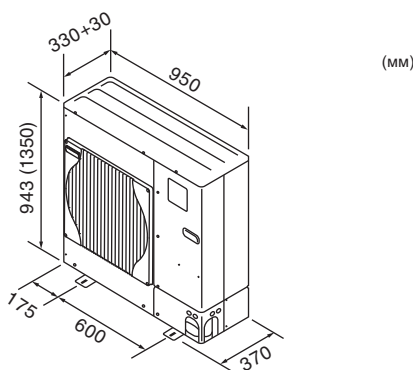


Fig. 2-2

■ P71-P140

2. Место установки

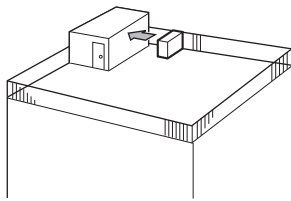


Fig. 2-3

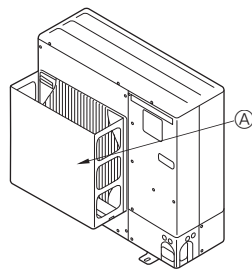


Fig. 2-4

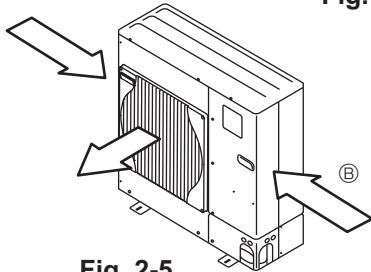


Fig. 2-5

2.4. Вентиляция и сервисное пространство

2.4.1. Установка в местах, где возможен сильный ветер

При монтаже наружного прибора на крыше или другом месте, не защищенном от ветра, расположите вентиляционную решетку прибора так, чтобы она не подвергалась воздействию сильного ветра. Сильный ветер, дующий прямо в выходное отверстие, может препятствовать нормальному потоку воздуха, что может привести к сбою.

Ниже приведены три примера соблюдения мер предосторожности против сильного ветра.

- ① Расположите прибор так, чтобы выходное отверстие было направлено к самой близкой из доступных стен на расстоянии около 50 см от стены. (Fig. 2-3)
- ② Установите дополнительный воздуховод, если прибор установлен в месте, где сильный ветер от тайфуна и т.д. может попадать непосредственно в вентиляционную решетку. (Fig. 2-4)
 - Ⓐ Воздуховод
- ③ По возможности разместите прибор так, чтобы воздух из выходного отверстия выдувался в направлении, перпендикулярном к сезонному направлению ветра. (Fig. 2-5)
 - Ⓑ Направление ветра

2.4.2. При установке одиночного наружного прибора (См. последнюю стр.)

Минимальные размеры включают, за исключением указанных Макс., значит Максимальных размеров, следующие размеры.

Цифры в скобках относятся к моделям P125, P140.

См. соответствующие значения для каждого случая.

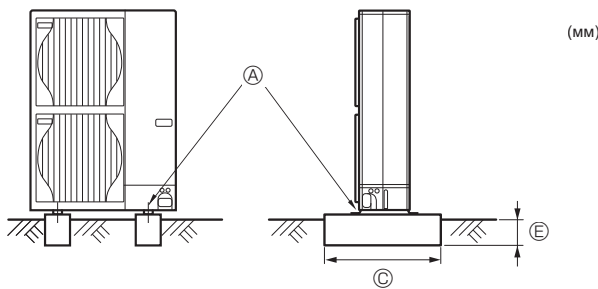
- ① Окружающие предметы - только сзади (Fig. 2-6)
- ② Окружающие предметы - только сзади и сверху (Fig. 2-7)
- ③ Окружающие предметы - только сзади и с боковых сторон (Fig. 2-8)
- ④ Окружающие предметы - только спереди (Fig. 2-9)
 - При использовании дополнительного выходного воздуховода, расстояние для моделей P125, P140 должно быть 500 мм или более.
- ⑤ Окружающие предметы - только спереди и сзади (Fig. 2-10)
 - При использовании дополнительного воздуховода выходного отверстия, расстояние для моделей P125, P140 должно быть 500 мм или более.
- ⑥ Окружающие предметы - только сзади, с боковых сторон и сверху (Fig. 2-11)
 - Не используйте дополнительные воздуховоды для восходящего потока воздуха.

2.4.3. При установке нескольких наружных приборов (См. последнюю стр.)

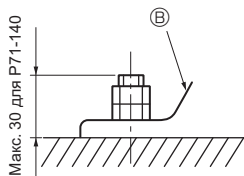
Между приборами необходимо оставить 10 мм свободного пространства для P71-140.

- ① Окружающие предметы - только сзади (Fig. 2-12)
- ② Окружающие предметы - только сзади и сверху (Fig. 2-13)
 - Не следует устанавливать рядом более трех приборов. Приборы должны находиться на указанном расстоянии друг от друга.
 - Не используйте дополнительные воздуховоды для восходящего потока воздуха.
- ③ Окружающие предметы - только спереди (Fig. 2-14)
 - При использовании дополнительного воздуховода выходного отверстия, расстояние для моделей P125, P140 должно быть 1000 мм или более.
- ④ Окружающие предметы - только спереди и сзади (Fig. 2-15)
 - При использовании дополнительного воздуховода выходного отверстия, расстояние для моделей P125, P140 должно быть 1000 мм или более.
- ⑤ Расположение приборов в один горизонтальный ряд (Fig. 2-16)
 - При использовании дополнительного воздуховода выходного отверстия для восходящего потока воздуха, расстояние должно быть 500 (1000) мм или больше.
- ⑥ Расположение приборов в несколько горизонтальных рядов (Fig. 2-17)
 - При использовании дополнительного воздуховода выходного отверстия для восходящего потока воздуха расстояние должно быть 1000 (1500) мм или более.
- ⑦ Расположение приборов вертикальными рядами (Fig. 2-18)
 - Можно вертикально расположить до двух приборов.
 - Рядом должно быть установлено не более 2 вертикальных рядов. Приборы должны находиться на указанном расстоянии друг от друга.

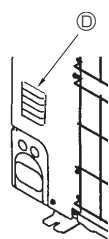
3. Установка наружного прибора



(мм)



■ P71-140



- Ⓐ Болт M10 (3/8")
- Ⓑ Основание
- Ⓒ Максимально возможная длина.
- Ⓓ Вентиль
- Ⓔ Установите глубоко в грунт

■ P71-140

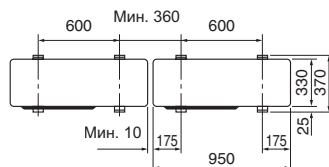


Fig. 3-1

- Обязательно устанавливайте прибор на твердой ровной поверхности для предотвращения его дребезжания во время эксплуатации. (Fig. 3-1)

<Требования к фундаменту>

Фундаментный болт	M10 (3/8")
Толщина бетона	120 мм
Длина болта	70 мм
Несущая способность	320 кг

- Убедитесь в том, что фундаментный болт в пределах 30 мм от нижней поверхности основания.
- Надежно прикрепите основание прибора с помощью четырех фундаментных болтов M10 к твердой поверхности.

Установка наружного прибора

- Не блокируйте вентиль. Если вентиль заблокирован, это будет препятствовать работе, что может привести к поломке.
- Кроме предусмотренных изначально, используйте установочные отверстия в задней стенке прибора для подсоединения проводов и т.д., если возникнет такая необходимость. Для установки на место используйте шурупы-саморезы (ø5 × Не более 15 мм).

⚠ Предупреждение:

- Прибор должен быть установлен на конструкции, способной выдержать его вес. Прибор, установленный на неустойчивой конструкции, может упасть и причинить повреждение или нанести травму.
- Прибор должен быть установлен согласно инструкциям, чтобы свести к минимуму риск повреждения от землетрясений, тайфунов или сильных порывов ветра. Неправильно установленный прибор может упасть и причинить повреждение или нанести травму.

4. Прокладка труб хладагента

4.1. Меры предосторожности для устройств, в которых используется хладагент марки R410A

- См. стр. 92, на которой приведены не перечисленные ниже меры предосторожности относительно использования кондиционеров с хладагентом R410A.
- Используйте в качестве масла охлаждения для покрытия соединительных муфт масло сложного или простого эфира или алкилбензол (небольшое количество).
- Для соединения медных или медносплавных бесшовных труб, предназначенных для хладагента, используйте медный фосфор C1220. Используйте трубы для хладагента соответствующей толщины для каждого случая; значения толщины приведены в таблице ниже. Удостоверьтесь, что внутри трубы чисты и не содержат никаких вредных загрязнителей, таких, как соединения серы, окислители, мелкий мусор или пыль.

⚠ Предупреждение:

При монтаже или перемещении, а также при обслуживании кондиционера используйте только указанный хладагент (R410A) для заполнения трубопроводов хладагента. Не смешивайте его ни с каким другим хладагентом и не допускайте наличия воздуха в трубопроводах.

Наличие воздуха в трубопроводах может вызывать скачки давления, в результате которых может произойти взрыв или другие повреждения. Использование любого хладагента, отличного от указанного для этой системы, вызовет механическое повреждение, сбой в работе системы, или выход устройства из строя. В наихудшем случае, это может послужить серьезной преградой к обеспечению безопасной работы этого изделия.

	P71-140
Труба для жидкости	ø9,52 толщина 0,8 мм
Труба для газа	ø15,88 толщина 1,0 мм

- Не используйте трубы более тонкие, чем указано выше.

4.2. Соединение труб (Fig. 4-1)

- При использовании медных труб, имеющихся в продаже, оберните трубы для жидкости и газа имеющимися в продаже изоляционными материалами (с теплозащитой от 100 °C или выше, толщиной не менее 12 мм).
- Обязательно устанавливайте тепловую изоляцию отдельно на трубы с газообразным и жидким хладагентом.
- Внутренняя часть дренажной трубы должна быть обернута в пенополиэтиленовый изолирующий материал (удельный вес 0,03; толщина 9 мм или более).
- Нанесите тонкий слой масла хладагента на контактную поверхность труб и соединений перед тем, как затягивать гайку с фланцем. Ⓐ
- Для затягивания трубных соединений используйте два гаечных ключа. Ⓑ
- Используйте детектор утечки или мыльный раствор для проверки утечки газа после завершения всех соединений.
- Нанесите машинное масло охлаждения на всю поверхность области присоединения муфты. Ⓒ
- Используйте гайки раструбного стыка для следующего размера трубы. Ⓓ

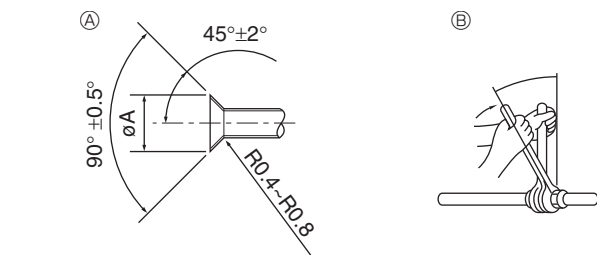
		P71-140
Страна газа	Размер трубы (мм)	ø15,88
Страна жидкости	Размер трубы (мм)	ø9,52

- При изгибе труб будьте осторожны, чтобы не допустить их поломки. Рекомендуются радиусы изгиба от 100 мм до 150 мм.
- Удостоверьтесь, что трубы не соприкасаются с компрессором. Такое соприкосновение может вызывать лишний шум или вибрацию.

- ① Соединение труб производится, начиная от внутреннего прибора. Хомуты на муфтах следует затягивать с помощью ключа с регулируемым усилием.
 - ② Установите трубы для жидкости и для газа и нанесите тонкий слой масла охлаждения (на соответствующее место).
- В случае использования обычного уплотнения трубы, обратитесь к таблице 1 для справки о соединении труб для хладагента R410A. Для проверки размеров A можно использовать шаблон подгонки размера.

⚠ Предупреждение:

При установке прибора надежно подсоедините трубы подачи охлаждающей жидкости до запуска компрессора.



- Ⓐ Раструбный стык - размеры
Ⓑ Момент затяжки гайки раструбного стыка

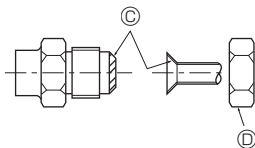


Fig. 4-1

Ⓐ (Fig. 4-1)

Медная труба O.D. (мм)	Размеры раструба, диаметр A (мм)
ø6,35	8,7 - 9,1
ø9,52	12,8 - 13,2
ø12,7	16,2 - 16,6
ø15,88	19,3 - 19,7
ø19,05	23,6 - 24,0

Ⓑ (Fig. 4-1)

Медная труба O.D. (мм)	Гайка раструбного стыка O.D. (мм)	Момент затяжки (Н·м)
ø6,35	17	14 - 18
ø6,35	22	34 - 42
ø9,52	22	34 - 42
ø12,7	26	49 - 61
ø12,7	29	68 - 82
ø15,88	29	68 - 82
ø15,88	36	100 - 120
ø19,05	36	100 - 120

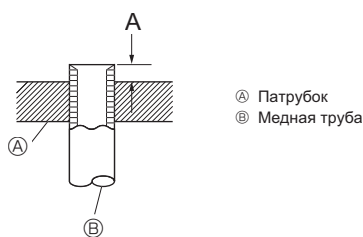


Fig. 4-2

Таблица 1 (Fig. 4-2)

Медная труба O.D. (мм)	A (мм)	
	стыка для R410A	стыка для R22-R407C
	Инструмент раструбного	
ø6,35 (1/4")	0 - 0,5	1,0 - 1,5
ø9,52 (3/8")	0 - 0,5	1,0 - 1,5
ø12,7 (1/2")	0 - 0,5	1,0 - 1,5
ø15,88 (5/8")	0 - 0,5	1,0 - 1,5
ø19,05 (3/4")	0 - 0,5	1,0 - 1,5

4. Прокладка труб хладагента

■ P71-140

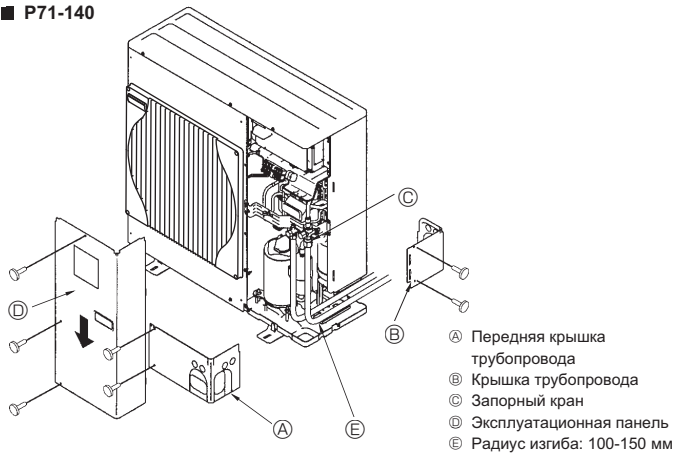
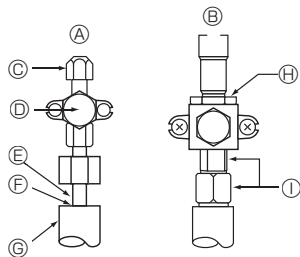


Fig. 4-3



- Ⓐ Запорный кран <для жидкости>
- Ⓑ Запорный кран <для газа>
- Ⓒ Стык для техобслуживания
- Ⓓ Секция открытия/закрытия
- Ⓔ Местная труба
- Ⓕ Герметизация, таким же образом для газовой стороны
- Ⓖ Покрывание трубы
- Ⓗ Не используйте здесь ключ. Иначе может произойти утечка хладагента.
- Ⓘ Здесь используйте два ключа.

Fig. 4-4

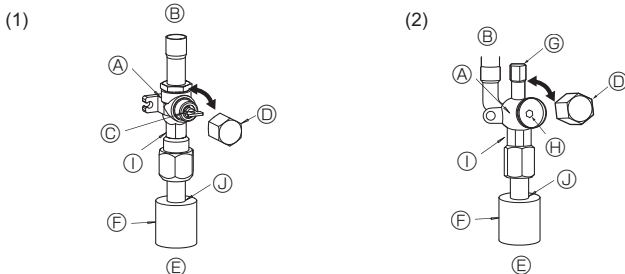


Fig. 4-5

Fig. 4-6

- Ⓐ Кран
- Ⓑ Со стороны блока
- Ⓒ Ручка
- Ⓓ Колпачок
- Ⓔ Со стороны местной трубы
- Ⓕ Изоляция трубы
- Ⓖ Стык для техобслуживания
- Ⓗ Отверстие под ключ
- Ⓘ Сдвоенная секция для гаечного ключа (Затягивайте ключом только эту секцию. Если использовать ключ с другими секциями, это приведет к утечкам хладагента.)
- Ⓙ Уплотнительная секция (Уплотните конец теплоизоляционного материала у секции трубного соединения любым уплотнительным материалом, имеющимся под рукой, чтобы вода не проникала в изоляционный материал.)

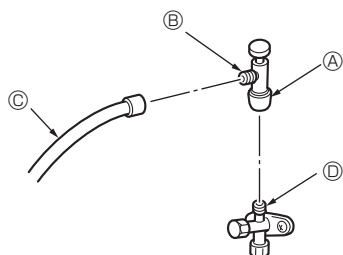


Fig. 4-7

- * Рисунок, расположенный слева, приведён в качестве примера. Форма запорного клапана, положение сервисного порта и т.д. могут отличаться в зависимости от модели.
- * Поверните только секцию Ⓐ. (Дополнительного затягивания секций Ⓐ и Ⓑ друг с другом не требуется.)
- Ⓒ Шланг заправки хладагента
- Ⓓ Сервисный порт

4.3. Прокладка труб хладагента (Fig. 4-3)

■ Для P71-140

- Снимите эксплуатационную панель Ⓓ (3 винта), а также переднюю крышку трубопровода Ⓐ (2 винта) и заднюю крышку трубопровода Ⓑ (2 винта).
- ① Подсоедините трубопроводы хладагента к устройству, предназначенному для установки внутри/вне помещения, при полностью закрытом запорном вентиле устройства для установки вне помещения.
 - ② Произведите вакуумную продувку воздуха из внутреннего прибора и труб соединения.
 - ③ После соединения труб хладагента проверьте соединенные трубы и внутренний прибор на наличие утечек газа. (См. 4.4. "Метод проверки герметичности трубопровода хладагента".)
 - ④ Высокопроизводительный вакуумный насос установлен у сервисного порта запорного клапана для поддержания вакуума в течение соответствующего времени (по крайней мере, в течение 1 часа после достижения разрежения в -101 кПа (5 торр)), чтобы обеспечить вакуумную сушку внутри труб. Всегда проверяйте степень вакуума в коллекторе манометра. Если в трубе имеются остатки влаги, степень вакуума при использовании кратковременного разрежения не достигается. После вакуумной сушки, полностью откройте запорные клапаны (и жидкостный, и газовый) наружного прибора. Эта процедура завершает соединение контуров охлаждающих жидкостей внутреннего и наружного приборов.
 - Если не произвести вакуумную сушку надлежащим образом, в контурах охлаждения останется воздух и пары воды, что может привести к ненормальному подъему высокого давления, ненормальному падению низкого давления, ухудшению масла охлаждающего агрегата по причине влаги и т.д.
 - Если оставить закрытыми запорные краны и включить прибор, это приведет к повреждению компрессора и крана контроля.
 - Проверьте места соединения труб наружного прибора на наличие утечек с помощью детектора утечки или мыльной воды.
 - Не используйте хладагент из прибора для удаления воздуха из трубопроводов хладагента.
 - По окончании всех операций с кранами закрутите колпачки кранов до соответствующего усилия: от 20 до 25 Н·м (от 200 до 250 кгс·см). Неправильная замена и закрытие колпачков могут привести к утечке хладагента. Кроме того, не повредите внутренние детали колпачков кранов, поскольку они служат уплотнителями, предотвращающими утечку хладагента.
 - ⑤ Для предотвращения пропитывания изоляционного материала на торцах труб водой произведите уплотнение соединений трубопроводов герметиком.

4.4. Метод проверки герметичности трубопровода хладагента

- (1) Подсоедините проверочные инструменты.
 - Убедитесь в том, что запорные краны Ⓐ и Ⓑ закрыты, и не открывайте их.
 - Подайте давление в трубопроводы хладагента через служебное отверстие Ⓒ запорного крана Ⓓ.
- (2) Не следует сразу подавать указанное давление полностью; увеличивайте давление постепенно.
 - ① Увеличьте давление до 0,5 МПа (5 кгс/см²G), подождите 5 минут и удостоверьтесь, что давление не снизилось.
 - ② Увеличьте давление до 1,5 МПа (15 кгс/см²G), подождите 5 минут и удостоверьтесь, что давление не снизилось.
 - ③ Увеличьте давление до 4,15 МПа (41,5 кгс/см²G) и измерьте температуру окружающего воздуха и давление хладагента.
- (3) Если указанное давление держится в течение приблизительно одного дня и не уменьшается, то трубы выдержали испытание и утечек нет.
 - При изменении температуры окружающего воздуха на 1 °C давление изменится приблизительно на 0,03 МПа (0,3 кгс/см²G). Произведите необходимые подстройки.
- (4) Если на этапах (2) или (3) наблюдается снижение давления, происходит утечка газа. Найдите источник утечки газа.

4.5. Способ открытия запорного крана

Метод открытия запорного клапана изменяется в зависимости от модели наружного прибора. Используйте надлежащий метод открытия запорных клапанов.

- (1) Сторона с газом P71-140 (Fig. 4-5)
 - ① Снимите колпачок, потяните ручку на себя и поверните на 1/4 оборота против часовой стрелки для открытия.
 - ② Убедитесь в том, что запорный кран полностью открыт, надавите на ручку и поверните колпачок в первоначальное положение.
 - (2) Сторона с жидкостью P71-140 (Fig. 4-6)
 - ① Снимите колпачок и поверните шток золотника против часовой стрелки до упора, используя для этой цели 4 мм шестигранный гаечный ключ. Прекратите поворачивать шток в момент, когда тот достигнет стопора. (Ø9,52: Приблизительно 10 оборотов)
 - ② Убедитесь в том, что запорный кран полностью открыт, и поверните колпачок в первоначальное положение.
- Трубы хладагента с защитным покрытием для P71-140
- Трубы могут быть обернуты защитной изоляцией до диаметра Ø90 до или после соединения. Вырежьте кусок в покрытии трубы по канавке и оберните трубы. Входной зазор трубы для P71-140
 - Используйте замазку или герметик, чтобы загерметизировать входное отверстие для трубы и ликвидировать все щели. (Если имеются незакрытые отверстия, прибор может издавать шум, а также в него могут проникнуть вода и пыль, что может привести к поломке.)

Меры предосторожности при использовании клапана заправки хладагента (Fig. 4-7)

Не затягивайте сервисный порт слишком сильно при установке, в противном случае возможна деформация сердечника клапана и его ослабление, что может стать причиной утечки газа.

После установки секции Ⓑ в необходимое положение, поверните только секцию Ⓐ и затяните ее. Дополнительного затягивания секций Ⓐ и Ⓑ друг с другом после затягивания секции Ⓐ не требуется.

4. Прокладка труб хладагента

4.6. Добавление хладагента

- Данный прибор не нуждается в дополнительной зарядке, если длина трубы не превышает 30 м.
- Если длина трубы превышает 30 м, дополнительно зарядите устройство хладагентом R410A в соответствии с допустимыми длинами труб в следующей таблице.

* При выключенном приборе заряжайте его добавочным количеством хладагента через жидкостный запорный кран после вакуумной продувки труб и внутреннего прибора. При включенном приборе добавляйте хладагент через кран контроля газа, используя прибор безопасной зарядки. Не добавляйте жидкий хладагент непосредственно через кран контроля.

- * После зарядки прибора хладагентом обратите внимание на количество добавочного хладагента на служебной метке (присоединенной к прибору). Дополнительная информация содержится в разделе "1.5. Использование кондиционеров с хладагентом R410A".
- Будьте осторожны при установке нескольких приборов. Присоединение не к нужному внутреннему прибору может привести к ненормально высокому давлению и оказать существенное влияние на эксплуатационные показатели прибора.

Модель	Разрешенная длина трубы	Разрешенный перепад высоты	Количество добавочного хладагента для зарядки	
			31 - 40 м	41 - 50 м
P71-140	-50 М	-30 М	0,6 кг	1,2 кг

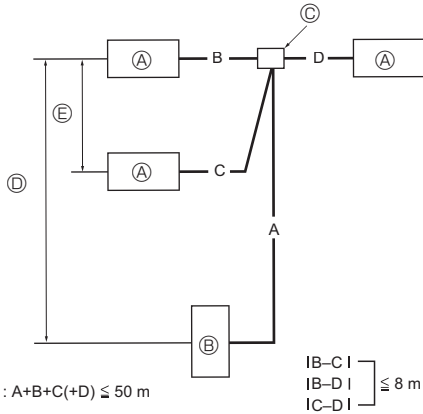


Fig. 4-8

4.7. Для комбинации двух/трех блоков

Ограничение по длине и разность высоты при прокладке труб показаны на рисунке. (Fig. 4-8)

- Ⓐ Внутренний прибор
- Ⓑ Наружный прибор
- Ⓒ Распределительная труба (опция)
- Ⓓ Разность высоты (Внутренний прибор-Наружный прибор) макс. 30 м.
- Ⓔ Разность высоты (Внутренний прибор-Внутренний прибор) макс. 1 м.

5. Дренажные трубы

Соединение дренажных труб наружного прибора

При необходимости дренажа используйте сливное гнездо или дренажный поддон (дополнительно).

	P71-140
Сливное гнездо	PAC-SG61DS-E
Дренажный поддон	PAC-SG64DP-E

6. Электрические работы

6.1. Наружный прибор (Fig. 6-1, Fig. 6-2)

- 1 Снимите защитную панель.
- 2 Подсоедините кабели, как указано на рис. 6-1 и рис. 6-2.

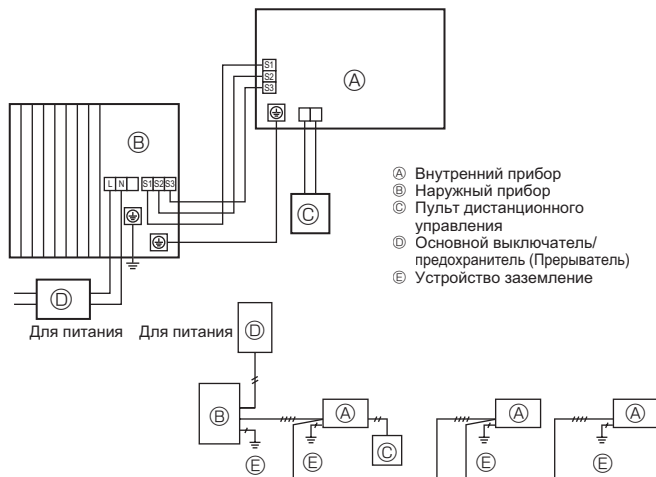
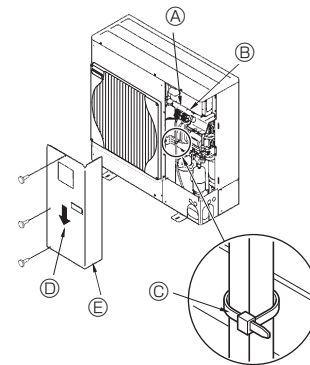


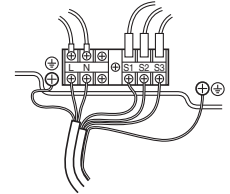
Fig. 6-1

■ P71-140



- Ⓐ Клеммы заземления
- Ⓑ Клеммная панель
- Ⓒ Клемма
- Ⓓ Сервисная панель
- Ⓔ Прокладывайте кабели так, чтобы они не соприкасались с центром эксплуатационной панели или газового клапана.

■ P71-100V



■ P71-140Y

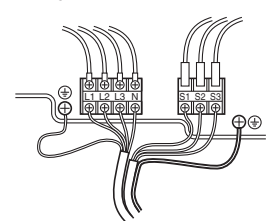


Fig. 6-2

⚠ Осторожно:
Обязательно установите N-линию. Отсутствие N-линии может привести к повреждению устройства.

6. Электрические работы

6.2. Электропроводка на месте монтажа

Модель наружного прибора		P71V	P100V	P71Y	P100Y	P125Y	P140Y
Наружный прибор Электропитание		~/N (однофазный), 50 Hz, 230 V		3N~ (3 ф), 50 Hz, 400 V			
Входная мощность внутреннего прибора Главный выключатель (Прерыватель) *1		32 A		16 A		25 A	
Максимально допустимое полное сопротивление системы (Ω)		0,06		0,23	0,22	0,14	0,12
Электропроводка Провод No x размер (мм ²)	Наружный прибор Электропитание	2 x Мин. 4		4 x Мин. 1,5		4 x Мин. 2,5	
	Заземление питания наружного прибора	1 x Мин. 4		1 x Мин. 1,5		1 x Мин. 2,5	
	Внутренний прибор-Наружный прибор *2			3 x 1,5 (полярный)			
	Заземление внутреннего/наружного прибора			1 x Мин. 1,5			
Мощность цепи	Пульт дистанционного управления - Внутренний прибор *3			2 x 0,3 (неполярный)			
	Наружный прибор L-N	*4		AC 230 V			
	Наружный прибор L1-N, L2-N, L3-N	*4		AC 230 V			
	Внутренний прибор-Наружный прибор S1-S2	*4		AC 230 V			
	Внутренний прибор-Наружный прибор S2-S3	*4		DC 24 V			
	Пульт дистанционного управления - Внутренний прибор *4			DC 12 V			

*1. Используйте переключатель утечки на землю (NV) с расстоянием между контактами по крайней мере 3,0 мм для каждого полюса.

*2. Макс. 45 м

Если используется 2,5 мм², макс. 50 м

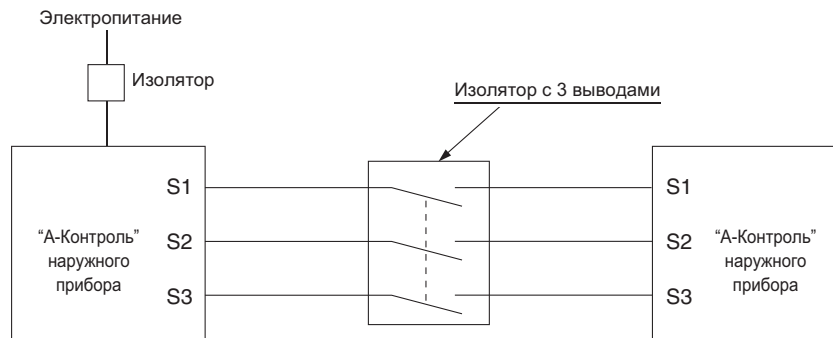
Если используется 2,5 мм² и отдельный S3, макс. 80 м

*3. К аксессуару пульта дистанционного управления прилагается провод 10 м.

*4. Величины NE всегда измерены относительно земли.

Разница потенциалов выводов S3 и S2 составляет 24 В постоянного тока. Между выводами S3 и S1 нет электрической изоляции с помощью трансформатора или другого устройства.

- Примечания:**
- Диаметр проводов должен соответствовать применимым местным и национальным нормам.**
 - Силовые кабели и кабели соединения Внутреннего/Наружного прибора не должны быть легче экранированного гибкого провода из полихлоропрена (модель 60245 IEC 57).**
 - Длина устанавливаемого кабеля заземления должна превышать длину других кабелей.**



⚠ Предупреждение:

В случае прокладки кабелей А-управления на выводе S3 имеется высоковольтный потенциал, связанный с конструкцией электрической цепи, в которой отсутствует изоляция между силовой линией и линией сигнала связи. Поэтому при проведении сервисного обслуживания отключите основной источник питания. Не прикасайтесь к контактам S1, S2, S3, когда подается питание. Если требуется использовать изолятор между наружным и внутренним блоками, используйте 3- полюсного типа.

Никогда не подсоединяйте внахлест силовую кабель или соединительный кабель внешнего питания. Это может привести к задымлению, возгоранию или неисправности.

7. Выполнение испытания

7.1. Перед пробным прогоном

- ▶ После завершения установки, прокладки труб и электропроводки внутреннего и наружного приборов проверьте отсутствие утечки хладагента, слабых соединений кабеля питания или проводов управления и неправильной полярности, а также убедитесь, что все фазы питания подключены.
- ▶ Измерьте сопротивление между терминалами источника электропитания и заземлением с использованием 500-вольтного меггера и убедитесь, что сопротивление составляет не менее 1,0 МΩ.
- ▶ Запрещается выполнять этот замер на терминалах проводов управления (цепь низкого напряжения).

⚠ Предупреждение:

Не пользуйтесь кондиционером воздуха, если сопротивление изоляции ниже 1,0 МΩ.

Сопротивление изоляции

После установки или длительного отключения источника питания от прибора, сопротивление изоляции падает ниже 1 МΩ вследствие накопления хладагента в компрессоре. Это не является неисправностью. Выполните следующие действия.

- Отключите от компрессора провода и измерьте сопротивление изоляции компрессора.
- Если сопротивление изоляции ниже 1 МΩ, то компрессор неисправен или сопротивление упало вследствие накопления хладагента в компрессоре.
- После подсоединения проводов к компрессору при подаче питания он начнет нагреваться. После подачи питания в течение нижеуказанных периодов времени, измерьте сопротивление изоляции еще раз.
 - Сопротивление изоляции понижается из-за накопления хладагента в компрессоре. Сопротивление поднимется выше 1 МΩ после прогрева компрессора в течение 4 часов. (Время, в течение которого необходимо прогреть компрессор, зависит от атмосферных условий и количества накопленного хладагента.)
 - Чтобы использовать компрессор, в котором скопился хладагент, компрессор необходимо прогреть в течение по крайней мере 12 часов, чтобы предотвратить поломку.

- Если сопротивление изоляции возрастает до значения свыше 1 МΩ, то компрессор исправен.

⚠ Внимания:

- Компрессор не будет работать при неправильном подсоединении фаз источника электропитания.
- Подключите электропитание прибора не менее чем за 12 часов до начала работы.
- Запуск прибора сразу после подключения сетевого питания может серьезно повредить внутренние части прибора. Сетевой выключатель должен оставаться во включенном положении в течение всего периода эксплуатации прибора.

▶ Выполните проверку следующего.

- Наружный прибор исправен. Если наружный прибор неисправен, на пульте управления наружного прибора мигают индикаторы LED1 и LED2.
- Запорные краны газа и жидкости полностью открыты.
- Защитный лист закрывает поверхность панели DIP-переключателей на пульте управления наружного прибора. Для облегчения работы с DIP-переключателями удалите защитный лист.
- Удостоверьтесь, что все DIP-переключатели блока SW5, управляющие различными функциями, на пульте управления наружного прибора установлены в положение OFF. Если переключатели SW5 не установлены в положение OFF, запишите их установки и затем переключите их все в положение OFF. Начните восстановление хладагента. После перемещения прибора на новое место и завершения тестового прогона установите переключатели блока SW5 в предварительно записанные положения.

Примечание:

Во время пробного запуска данного прибора из отсека вентилятора может быть слышен низкий стучащий звук. Это вызвано колебанием крутящего момента для управления скоростью вращения вала вентилятора. Это не является дефектом прибора.

7. Выполнение испытания

7.2. Выполнение испытания

7.2.1. Использование SW4 в наружном блоке

1) Тип PУН

SW4-1	ON (Вкл.)	Работа в режиме охлаждения
SW4-2	OFF (Выкл.)	
SW4-1	ON (Вкл.)	Работа в режиме обогрева
SW4-2	ON (Вкл.)	

1) Тип ПУ

SW4-1	ON (Вкл.)	Работа в режиме охлаждения
SW4-2	OFF (Выкл.)	

- * После выполнения пробного прогона, установите SW4-1 на OFF (Выкл.).
- * После подачи питания внутри наружного прибора могут появиться шумы (легкие щелчки). Это работа электронного клапана расширения (открытие и закрытие). Это не является неисправностью.

- Через несколько секунд после запуска компрессора внутри наружного прибора может появиться шум (лязг). Этот шум исходит от контрольного крана вследствие небольшого перепада давления в трубах. Это не является неисправностью.
- Во время тестового прогона рядом с вентилятором может раздаваться слабое постукивание. Этот звук появляется при изменении крутящего момента для регулировки скорости вентилятора. Это не является неисправностью.

Режим тестового прогона во время его выполнения невозможно изменить DIP- переключателем SW4-2. (Для смены режима тестового прогона во время его выполнения прервите выполнение с помощью DIP-переключателя SW4-1. После смены режима продолжайте выполнение тестового прогона, включив DIP- переключатель SW4-1.)

7.2.2. Использование пульта дистанционного управления

См. руководство по установке внутреннего блока.

8. Специальные функции

Восстановление хладагента (откачка)

После перемещения внутреннего или наружного прибора выполните следующие действия для восстановления хладагента:

- Включите питание (автоматическим выключателем).
 - * После подачи питания удостоверьтесь, что на пульте дистанционного управления не отображается сообщение "CENTRALLY CONTROLLED". Если отображается сообщение "CENTRALLY CONTROLLED", то процедуру восстановления хладагента нельзя завершить обычным путем.
 - * Взаимодействие внешнего и внутреннего модулей начинается спустя 3 минуты после включения питания (автоматического выключателя). Начните откачку через 3—4 минуты после включения питания (автоматического выключателя).
- После закрытия запорного крана жидкости установите SW1-1 на пульте управления наружного прибора в положение ON. Компрессор (наружный прибор) и вентиляторы (внутренний и наружный приборы) начинают работать, и начинается процедура восстановления хладагента. На пульте управления наружного прибора горят индикаторы LED1 и LED2.
 - * Устанавливайте SW1-1 в положение ON только при выключенном приборе. Однако даже если прибор остановлен, но SW1-1 установлен в положение ON менее чем через 3 минуты после остановки компрессора, процедура восстановления хладагента не может быть выполнена. Подождите 3 минуты с момента остановки компрессора, и затем вновь установите SW1-1 в положение ON.

- Поскольку прибор автоматически останавливается через две-три минуты после завершения сбора охлаждающей жидкости (светодиод LED1 выключен, светодиод LED2 горит), следует быстро закрыть газовый запорный клапан. Если при остановленном наружном приборе светодиод LED1 светится, а светодиод LED2 не горит, сбор охлаждающей жидкости выполнен неправильно. Полностью откройте запорный клапан для жидкости, а потом повторите шаг ② через три минуты.
 - * Если сбор охлаждающей жидкости выполнен надлежащим образом (светодиод LED1 выключен, светодиод LED2 горит), прибор останется в выключенном состоянии, пока не будет выключено питание.
- Отключите питание (автоматическим выключателем).
 - * Следует иметь в виду, что при использовании удлинительных труб слишком большой длины при большом количестве охлаждающей жидкости выполнить откачку, возможно, не удастся.

⚠ Предупреждение:

При откачке охлаждающей жидкости, прежде чем отсоединить трубы, следует остановить компрессор. Попадание внутрь компрессора воздуха и т.п. может привести к взрыву.

9. Управление системой (Fig. 9-1)

- ⑤ SW 1 - 3 ~ 6
- | | | | | | |
|-----|---|---|---|---|---|
| ON | □ | □ | □ | □ | □ |
| OFF | ■ | ■ | ■ | ■ | ■ |
| | 3 | 4 | 5 | 6 | |
- ⑥ SW 1 - 3 ~ 6
- | | | | | | |
|-----|---|---|---|---|---|
| ON | □ | □ | □ | □ | □ |
| OFF | ■ | ■ | ■ | ■ | ■ |
| | 3 | 4 | 5 | 6 | |
- ⑦ SW 1 - 3 ~ 6
- | | | | | | |
|-----|---|---|---|---|---|
| ON | □ | □ | □ | □ | □ |
| OFF | ■ | ■ | ■ | ■ | ■ |
| | 3 | 4 | 5 | 6 | |
- ① Наружный прибор
 ② Внутренний прибор
 ③ Главный пульт дистанционного управления
 ④ Подчиненный пульт дистанционного управления
 ⑤ Стандарт 1:1 (Адрес хладагента = 00)
 ⑥ Одновременный двойник (Адрес хладагента = 01)
 ⑦ Одновременный тройник (Адрес хладагента = 02)

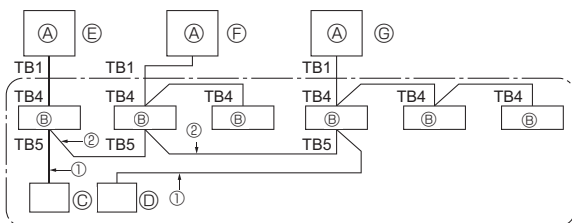


Fig. 9-1

- * Установите адрес хладагента, используя ДИП-переключатель на наружном приборе.

① Электропроводка от пульта дистанционного управления
 Данный провод подсоединен к TB5 (щит терминалов для пульта дистанционного управления) наружного прибора (неполярный).

② При использовании другой схемы группировки системы хладагента. С помощью одного тонкого пульта дистанционного управления MA можно управлять до 16 системами хладагента, как одной группой.

Примечание:

В схеме с одной системой хладагента (двойная/утроенная), выполнение электропроводки ② не требуется.

SW1
 Таблица функций



Функция	Работа в соответствии с положением переключателей	
	ON	OFF
1 Принудительное размораживание	Пуск	Нормальный
2 Сброс хронологии ошибок	Сброс	Нормальный
3 Установка адреса системы охлаждения	Установка адресов наружных блоков - от 0 до 15	

10. Серийный номер

■ Серийный номер указан на заводской табличке спецификации.

Последовательные номера для каждого устройства: 00001–99999

Месяц изготовления: A (1), B (2), C (3), D (4), E (5), F (6), G (7), H (8), J (9), K (10), L (11), M (12)

Год изготовления (западный календарь) : 2014 → 4, 2015 → 5

UNIT: mm
 (): P125, P140

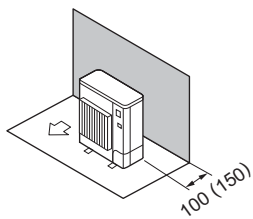


Fig. 2-6

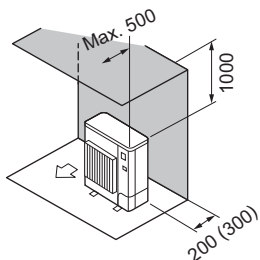


Fig. 2-7

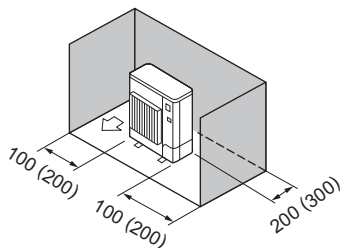


Fig. 2-8

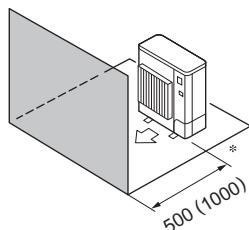


Fig. 2-9

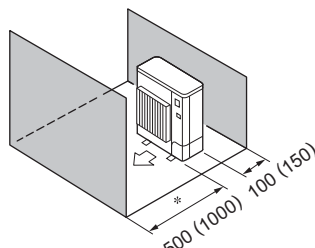


Fig. 2-10

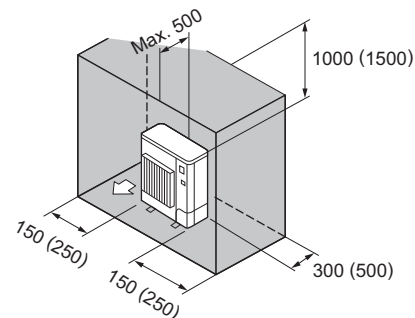


Fig. 2-11

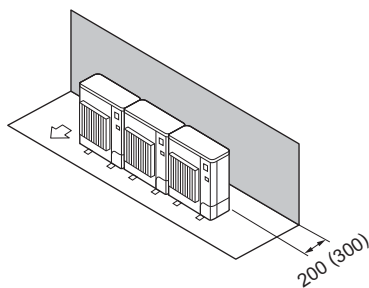


Fig. 2-12

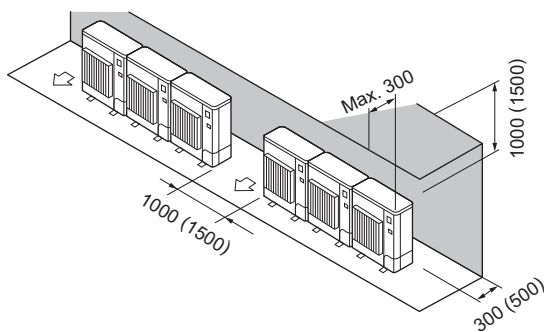


Fig. 2-13

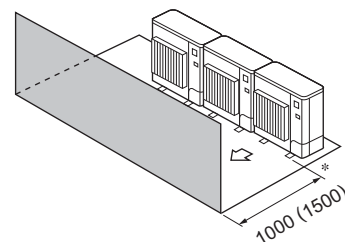


Fig. 2-14

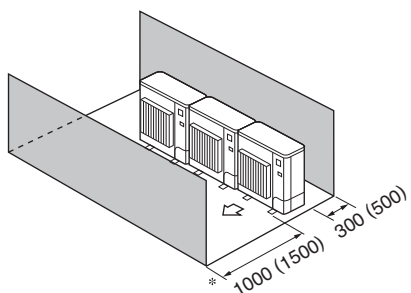


Fig. 2-15

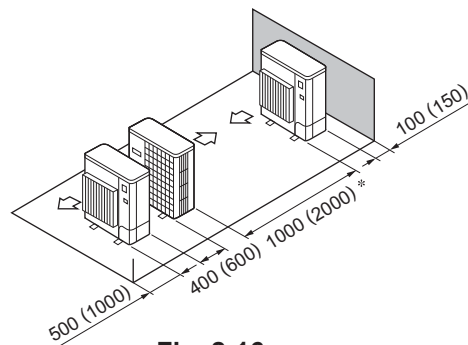


Fig. 2-16

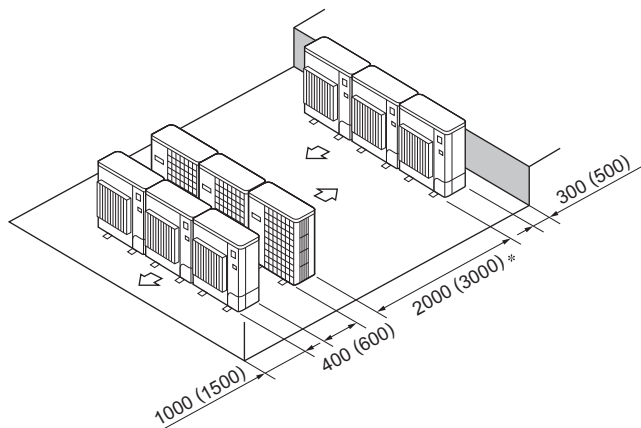


Fig. 2-17

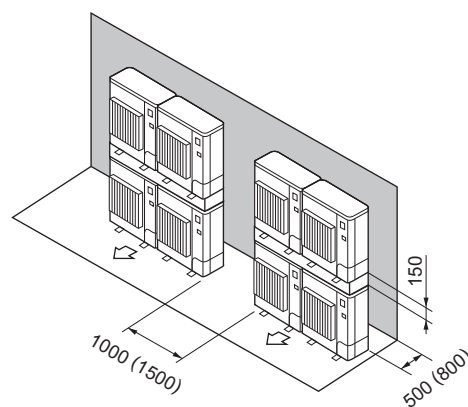


Fig. 2-18

This product is designed and intended for use in the residential,
commercial and light-industrial environment.

The product at hand is
based on the following
EU regulations:

- Low Voltage Directive 2006/95/EC
- Electromagnetic Compatibility Directive
2004/108/EC

Please be sure to put the contact address/telephone number on
this manual before handing it to the customer.



MITSUBISHI ELECTRIC CORPORATION

Mitsubishi Electric (Russia) LLC
Kosmodamianskaya Nab. 52, Bld. 1, Moscow, 115054, Russia
HEAD OFFICE: TOKYO BLDG., 2-7-3, MARUNOUCHI, CHIYODA-KU, TOKYO 100-8310, JAPAN