

## LOSSNAY HEAT RECOVERY VENTILATOR SYSTEM COMPONENT

### HIGH EFFICIENCY SUPPLY AIR FILTER

MODEL

**P-220SHF-E** 2 pieces

 MODEL CODE **5KA502**

 Applicable Model  
VL-220CZGV-E

#### Instruction Manual

#### For user

Use this high efficiency supply air filter to replace the supply air filter installed in the Lossnay unit.

The filter removes more fine particles than the supply air filter and takes the outside air into the room.

- Do not wash the filter with water.
- Please read the manual carefully before use.
- The high efficiency supply air filter cannot be cleaned because it collects fine particles.

## Safety precautions

The following symbols denote the type and degree of danger resulting from incorrect handling.



### WARNING

Incorrect handling of the product may result in serious injury or death.



Follow instructions

**Be sure to turn off the remote controller and the circuit breaker on the power board before replacement.**

Working while the product is energized may result in electric shock or injury.



### CAUTION

Incorrect handling of the product may result in injury or damage to property or household effects.



Follow instructions

**Wear gloves during replacement.**  
Failure to heed this warning may result in injury.

**Securely install the parts after replacement.**  
Injury may result if the parts should fall.

**During replacement, do not stand on anything that is unstable.**  
Injury may result if you tumble down.

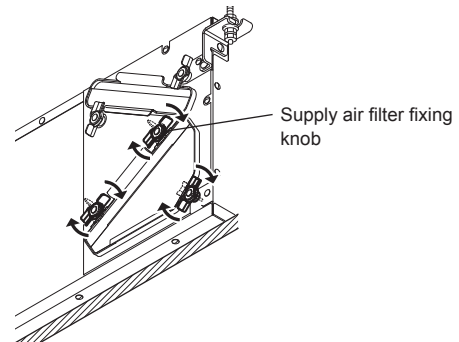
## How to replace the high efficiency supply air filter

### Replacement interval: Approx. one year

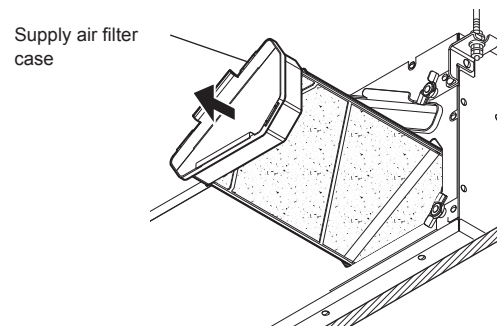
(The replacement interval differs depending on the operating environment.)

#### Remove the supply air filter case.

- (1) Set the ON/OFF button on the remote controller to "OFF."
- (2) Turn the three supply air filter fixing knobs to unlock the knobs.



- (3) Gently draw out the supply air filter case.

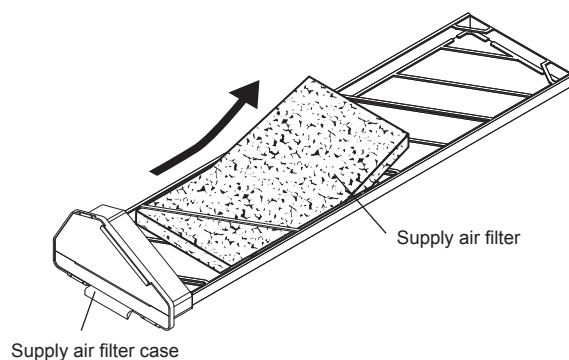


#### Note:

- Dirt or dust may fall when the supply air filter case is removed. Also, dew condensation water sometimes builds up in some operating environments. Remove the filter case gently by supporting it with both hands so that it is not tilted while taking care not to spill or be splashed with dew condensation water.

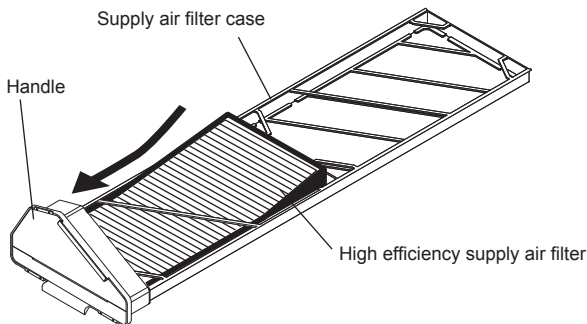
#### Remove the supply air filter from the supply air filter case.

Supply air filter: 2 pieces

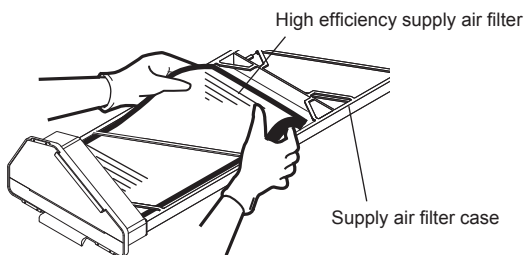


## Install the high efficiency supply air filter in the supply air filter case.

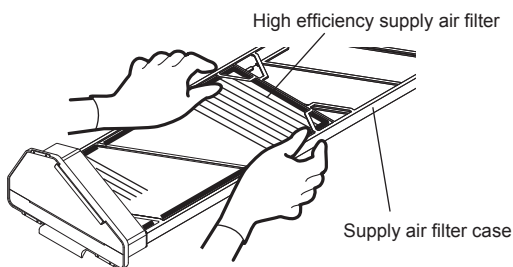
- (1) Insert the high efficiency supply air filter while facing the handle side of the supply air filter case.



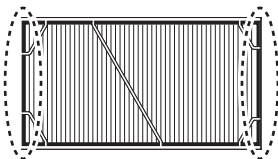
- (2) Bend the high efficiency supply air filter and insert both corners into the supply air filter case as shown in the figure.



- (3) Push the high efficiency supply air filter all the way into the supply air filter case.



- (4) Adjust the position so that there are no gaps between the high efficiency supply air filter and supply air filter case. ( : : parts: 2 locations)



- (5) Install the second piece with the same procedure.

### Note:

- Do not mix up the supply air filter and the exhaust air filter. Check that "Supply air filter" is indicated on the filter side surface.
- The high efficiency supply air filter has no front and back.
- Install the high efficiency supply air filter so that it does not protrude from the filter case of the Lossnay unit.

## Assembling and checking after replacement

### CAUTION

#### Securely install the parts after replacement.

Injury may result if the parts should fall.

1. Install the supply air filter case in the unit.
2. Turn the three supply air filter knobs to secure the knobs to the Lossnay unit.
3. After installation, set the ON/OFF button on the remote controller to "ON."
4. Check the product according to "Assembling and checking after cleaning and maintenance" in the instruction manual of the Lossnay unit.

### Note:

- In some operating environments, dew condensation water or snow/mist water droplets may adhere to the filters. This, however, does not cause a problem with product performance or quality.
- Do not forget to install the filter inside the Lossnay unit. (Doing so results in dirt clogging the surface of the Lossnay core or a drop in fan speed.)

**For the next replacement, we recommend filling in the start of use date in the following table each time the high efficiency supply air filter is replaced. (Replacement interval: Approx. one year)**

Day	Month	Year	
			Start of use
			Start of use
			Start of use
			Start of use
			Start of use
			Start of use

### Note:

- The high efficiency supply air filter cannot be cleaned because it collects fine particles.
- After replacing the filter, dispose of the used filter in accordance with disposal method designated in the region where you live.
- The high efficiency supply air filter is made of polypropylene and polyester.
- For inquires regarding handling, cleaning, and other matters, consult your dealer.

Manufactured by: **MITSUBISHI ELECTRIC CORPORATION**

TOKYO BLDG. 2-7-3, MARUNOUCHI, CHIYODA-KU, TOKYO, 100-8310 JAPAN

Importer in EU: MITSUBISHI ELECTRIC EUROPE B.V.

HARMAN HOUSE, 1 GEORGE STREET, UXBRIDGE, MIDDLESEX, UB8 1QQ, U.K.

1508876HC9501