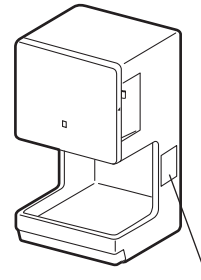


Jet Towel Hand dryer

MODEL

JT-MC206GS-W-E

Unit color	-W (White)
------------	------------



Location of Model Name display
Location of power supply voltage display

Single-phase 220 – 240V AC

INSTALLATION MANUAL

For Dealers and Installers

Read the manual thoroughly before beginning installation to ensure the unit is installed safely and correctly. Local installation standards should be obeyed and installation should be performed by the dealer or a qualified professional.






The "INSTRUCTION MANUAL" is for the customer. Be sure to hand it to the customer.




INDEX

Safety Precautions	2
Pre-installation checks	3
■ Checking the installation environment	3
■ Checking the unit, accessories and items required for installation	3
Names of parts and external dimensions	4
Installation conditions	5
■ Required space for installation	5
■ Suitable walls	5
■ Making the unit easier to use	5
Installation method	6 – 9
Test Run	10
Initial setting checks	11
■ How to open/close the front cover	11
Precautions for when opening/closing the front cover	11
■ Turning the heater on	12
■ Adjusting the air speed	12

Safety Precautions

- The dangers arising from improper handling and the extents of the dangers are classified and explained as shown below.

 Warning		The following may lead to death or serious personal injury if handled incorrectly.	
 Prohibited	<ul style="list-style-type: none"> ● Do not install in locations where they may be leakages of combustible gas. This may cause fires. ● Do not install in locations where salt damage may occur or where corrosive, neutral or reductive gases are present. This may cause malfunctions. ● Do not scratch, damage, process, excessively bend, pull, twist or bundle the power cable. Please also refrain from placing heavy objects onto it or trapping it. Failure to do so may damage the power cable, causing fires or electric shocks. 	 Important ! Follow instructions.	<ul style="list-style-type: none"> ● Wiring work is to be done by a certified electrical worker in accordance with technical standards for electrical equipment and internal wiring regulations. Incorrect wiring work may cause electric shocks or fires. ● Use single-phase 220 – 240V AC power. Using the incorrect power supply may cause fires, electric shocks or malfunctions. ● Use exclusive wiring for the power source. Using this unit with other devices on a branch socket may cause abnormal heat, which may cause fires. ● Be sure to attach the ground fault circuit interrupter. Failure to do so may result in electric shocks. ● The unit shall be installed in accordance with national wiring regulations. ● A means for disconnection must be incorporated in the fixed wiring in accordance with wiring rules. ● The disconnecting device shall be of all-pole disconnection.
 Do not disassemble	<ul style="list-style-type: none"> ● Do not attempt any disassembly or modification of the unit that is not expressly stated in this manual. Doing so may result in fires, electric shocks or injuries. 		
 Do not use in the baths/ shower room.	<ul style="list-style-type: none"> ● Do not use in a hot location such as a shower room, where condensation may form on the unit or where water may splash directly onto the unit. This may cause electric shocks or malfunctions. 		

 Caution		The following may lead to minor injuries or damage to property if the unit is handled incorrectly.	
 Prohibited	<ul style="list-style-type: none"> ● Do not install when the unit (power cable) is electrified. Doing so may result in electric shocks. 	 Important ! Follow instructions.	<ul style="list-style-type: none"> ● Install securely in a location strong enough to support the weight of the unit. Injuries may be caused if the unit falls off the wall. ● Wear gloves when installing the unit. Not doing so may result in injuries.

Pre-installation checks



Warning

- **Single-phase 220 – 240V AC power is used.**

Using the incorrect power supply may cause fires, electric shocks or malfunctions.

■ Checking the installation environment

Do not install the unit in the following types of locations.

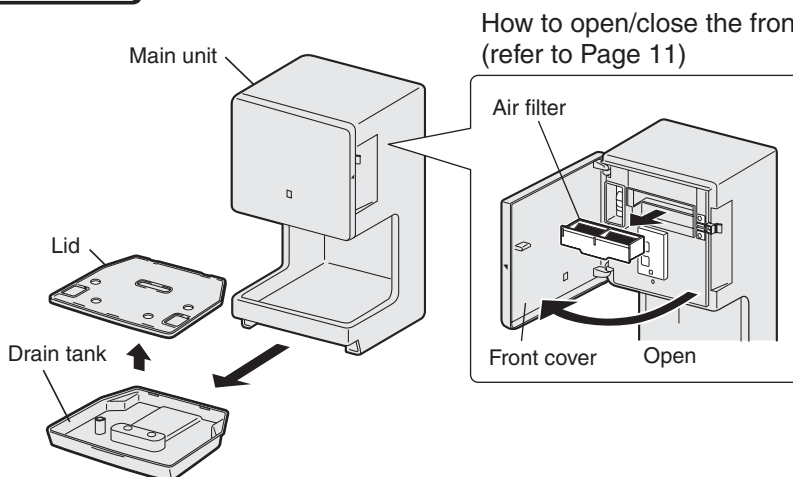
(This may cause malfunctions.)

- **Outdoors**
- **Locations where the temperature could be lower than 0°C.**
- **Locations where there is a lot of dust.**
- **Locations where the temperature could be higher than 40°C.**
- **Locations where there is a lot of condensation.**
- **Locations where salt damage may occur.**
- **Locations where the unit is in direct or strong sunlight** (may cause the sensor to malfunction).
- **In vehicles** (including ships and airplanes)
- **Locations where corrosive, neutral or reductive gasses are present.**
(This may shorten the working life of the unit and/or cause malfunctions.)
- **Near food or tableware**
- **Locations where the unit may come into direct contact with water.**
- **Kitchens**
(Where there is a risk of water splashing.)
- **Rooms that have a sterilization basin, swimming pools and baths.**

■ Checking the unit, accessories and items required for installation

Unit

※ Shaded areas in the figure indicate antibacterial material (excluding outlet nozzle areas).



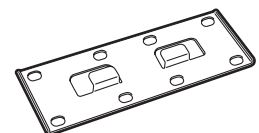
How to open/close the front cover
(refer to Page 11)

Accessories

Mounting screws 6
(5×30 Type 1 tapping screws)



Installation panel 1



Cord clip mounting screw
(4×14) 1

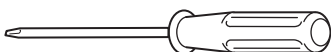


Cord clip 1



Required items

Screwdriver (+)



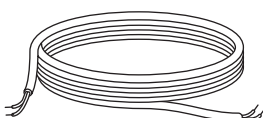
Pen



※ To mark position to insert metal screw plugs in the wall.

■ Prepare if required

Single wire for internal wiring
(Cable core: between 2.0mm² and 3.0mm²)



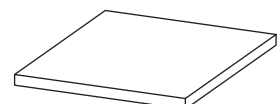
※ Not needed if the internal wiring is complete.

Screw anchor 6



※ Use on concrete walls

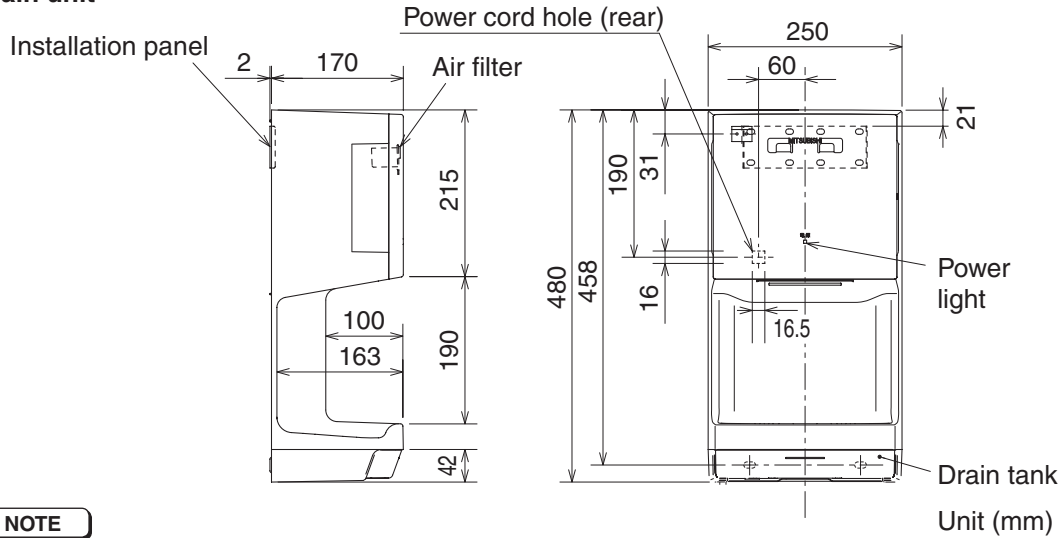
Wall reinforcement



※ Reinforces walls made of materials other than concrete.

Names of parts and external dimensions

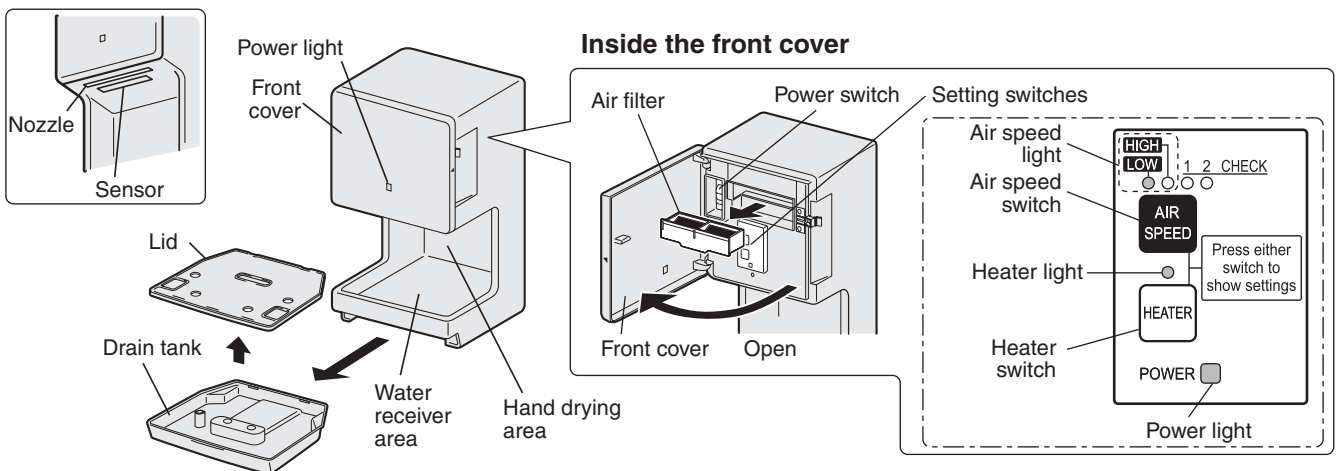
■ Main unit



NOTE

- Confirm the details in the "Installation conditions" (Page 5).

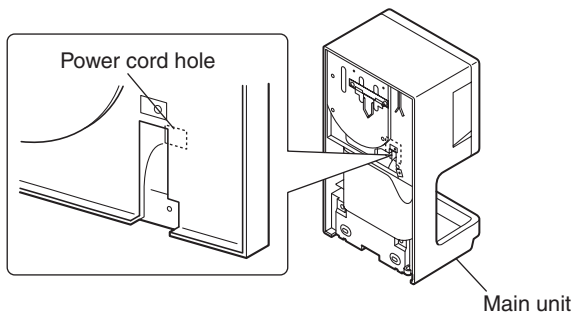
■ Front



NOTE

- Open the front cover while referring to "How to open/close the front cover" (Page 11).
- Please refer to "Turning the heater on" (Page 12) while turning the heater on/off.
- Please refer to "Adjusting the air speed" (Page 12) while adjusting the air speed.

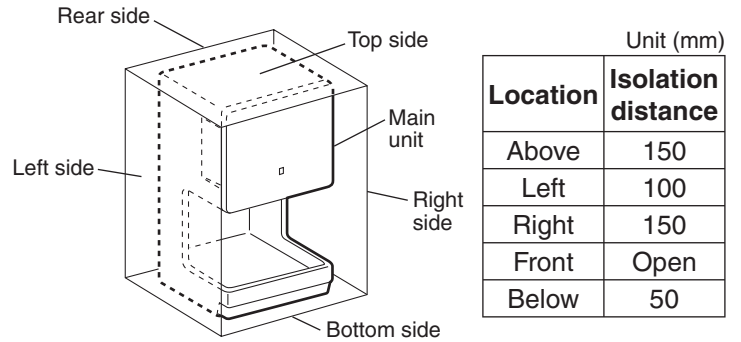
■ Rear



Installation conditions

Required space for installation

Caution Be sure to secure at least the distances listed in the right-hand table from walls, flammable (combustible) materials and so on.



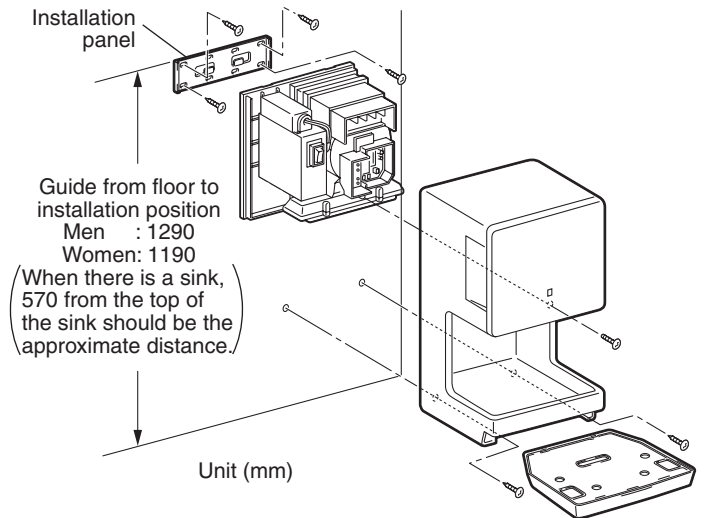
Suitable walls

- When installing on a wall, select a wall with a flat and even surface.
- When installing on a concrete wall, use commercially available metal screw plugs.
- Reinforce any walls made with materials other than concrete before installation.

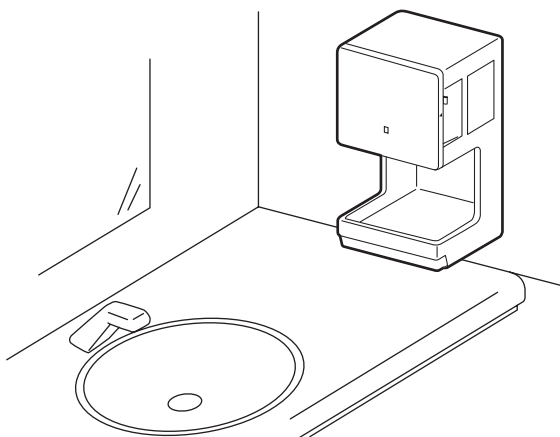
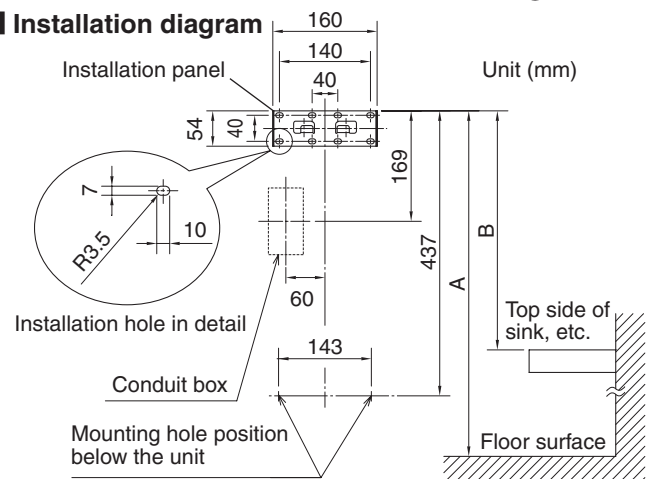
Making the unit easier to use

- Refer to the "Installation position guide" and "Installation diagram" while installing the unit in order to make it easier to use.
If it is installed at a low position, it may become wet when the sink is being washed. If water enters the unit, it may cause damage or cause the acoustic materials to absorb water and allow bacteria to grow.
- Do not install the main unit in locations such as those near mirrors or walls. This may lead to water drops flying to undesirable areas during the drying of the hands.
- Do not install the main unit in locations such as those near food or eating utensils. This may lead to water drops flying to undesirable areas during the drying of the hands.
- Avoid locations where people or doors might bump into the unit.

Installation position guide



Installation diagram



※ When installed above a sink

Recommended A and B measurements during installation

Unit (mm)			
Space below the unit		A	B
When there are no objects below	Men	1290	—
	Women	1190	—
When there is an object such as a sink	—	—	570

Installation method

For confirmation

- Single-phase 220 – 240V AC** power is being used (using the incorrect power supply may cause fires, electric shocks or malfunctions).
- The ground fault circuit interrupter is attached (not attaching a ground fault circuit interrupter may result in electric shocks).
- A single wire (cable core: 2.0mm² or 3.0mm²) is being used for the power cable.



Warning

- **Single-phase 220 – 240V AC** power is used.

Using the incorrect power supply may cause fires, electric shocks or malfunctions.

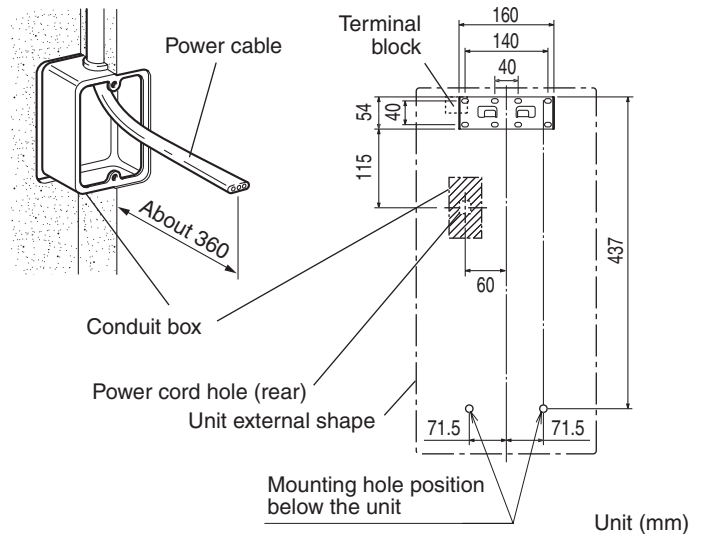


Caution

- Do not install when the unit (power cable) is electrified. Doing so may result in electric shocks.

Confirm that the severing of wires during fixed wiring work is in accordance with wiring regulations.

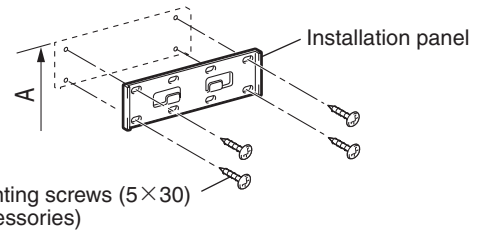
- Follow the illustration on the right for the internal wiring.
- The power cable forces out the main unit and does not allow proper installation if the conduit box is not used.



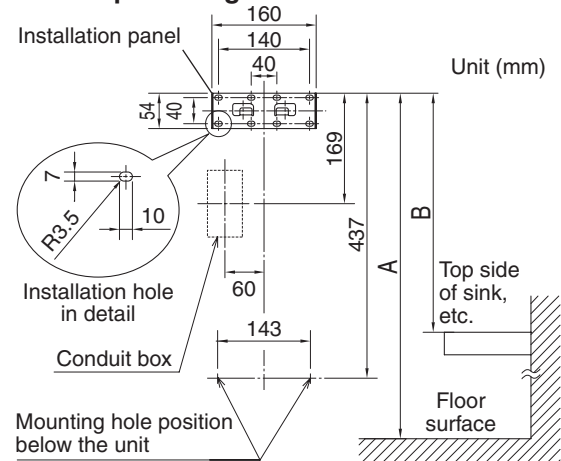
1

Fix the installation panel onto the wall with 4 accessory mounting screws (5×30).

- The "Installation position guide" illustrated on the right is recommended.
- When installing on a wall, select a wall with a flat and even surface.
- When installing on a concrete wall, use commercially available metal screw plugs.
- Reinforce any walls made with materials other than concrete before installation.
- ※ When installing above a sink, the recommended B measurement is 570mm above the sink.



Installation position guide



Recommended A and B measurements during installation Unit (mm)

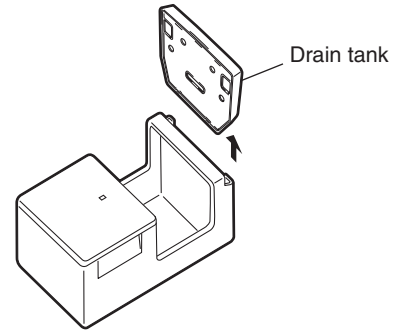
Space below the unit		A	B
When there are no objects below	Men	1290	—
	Women	1190	—
When there is an object such as a sink	—	—	570

2

Installation method - continuation

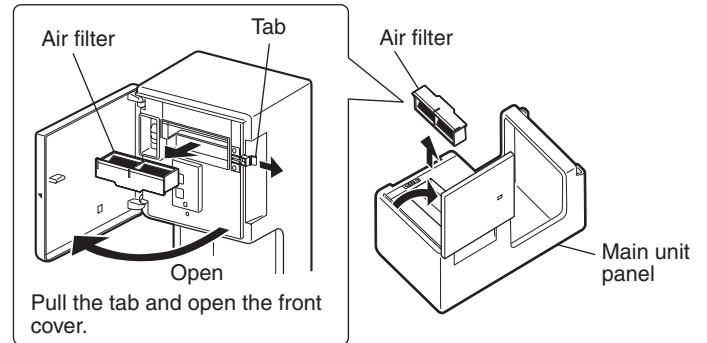
3

1. Remove the drain tank.



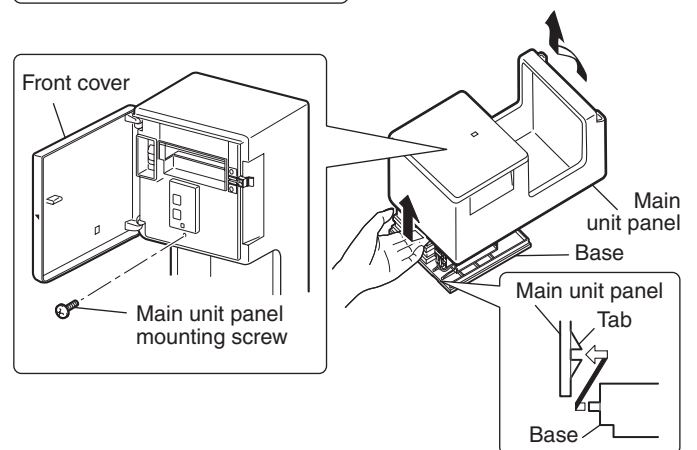
2. Open the front cover and remove the air filter.

※ Refer to "How to open/close the front cover" (Page 11).



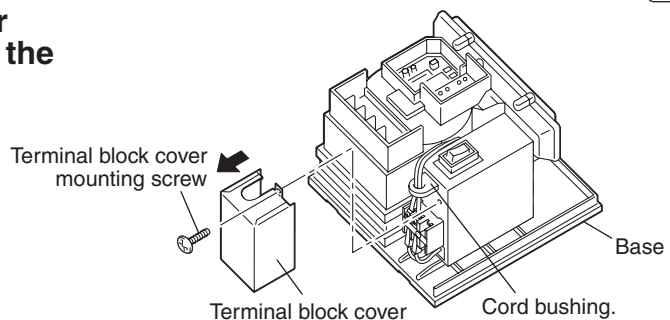
3. Remove the main unit panel mounting screw (1).

4. Unlock the upper tabs (2 locations) of the main unit panel, and remove the main unit panel from the base.



5. Remove the terminal block cover mounting screw (1), and remove the terminal block cover.

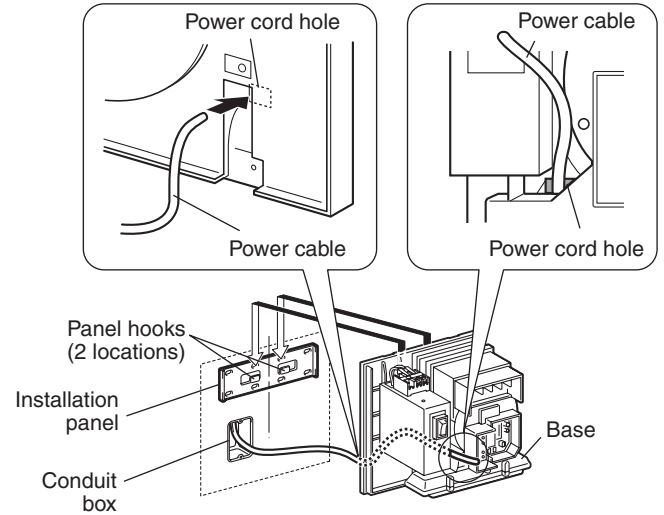
※ Be careful not to lose the cord bushing.



Installation method - continuation

4

1. Push the power cable for exclusive wiring through the power cord hole at the rear of the base.
2. Engage the base with the 2 hooks on the installation panel.
3. Check that the power cable is not trapped behind the base.



Warning

- **Single-phase 220-240V AC** power is used.

Using the incorrect power supply may cause fires, electric shocks or malfunctions.

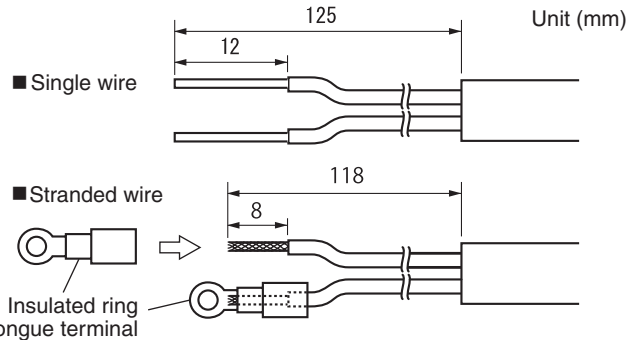


Caution

- Make sure that the main unit does not fall as the base is not attached to the wall with screws. Injuries may be caused if the unit falls off the wall.

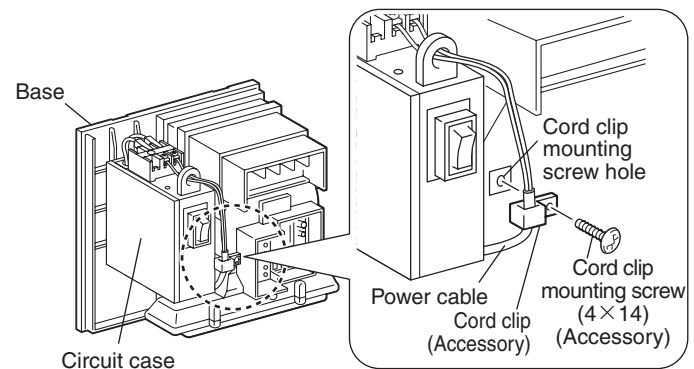
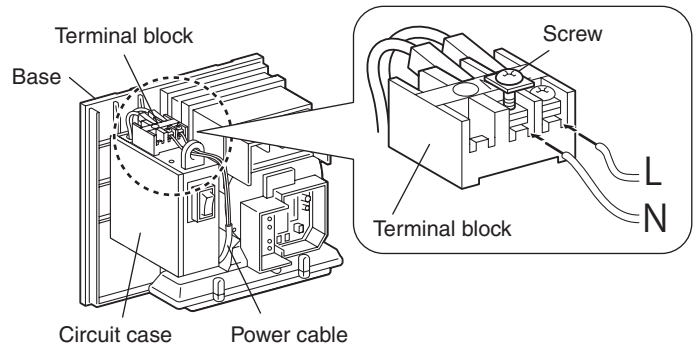
Wire the power cable to the terminal block. (No polarity)

1. Remove 12mm (single wire) or 8mm (stranded wire) of wire sheath from the end.
2. Fix the power cable to the terminal block.
 - When stranded wire is used for the power cable, attach an insulated ring tongue terminal using an appropriate tool.
 - Proper torque is 1.5N·m
3. Check that the power cable is securely fixed to the terminal block.



5

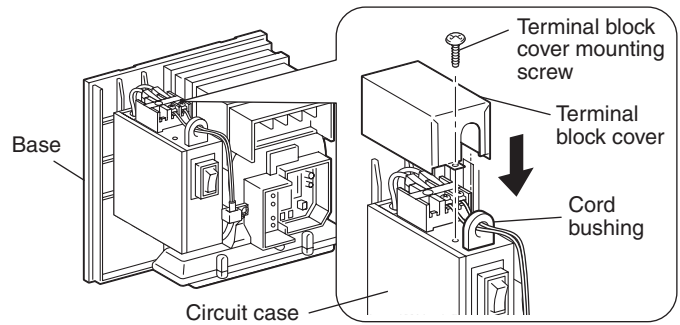
4. Use the cord clip mounting screw hole to fix the power cable with the accessory cord clip and mounting screw (4 × 14).
- Proper torque is 1.5N·m
 - Fix it where the external wire sheath of the power cable is when it is fixed in the cord clip mounting position.
 - Do the wiring so that the power cable goes through the right side of the circuit case. The main unit panel may not be able to be attached if it is above the circuit case.



Installation method - continuation

6

1. Place the power cable through the cord bushing and reattach it to the circuit case with the terminal block cover mounting screw.
2. Check that the power cable and wires are not pinched anywhere.



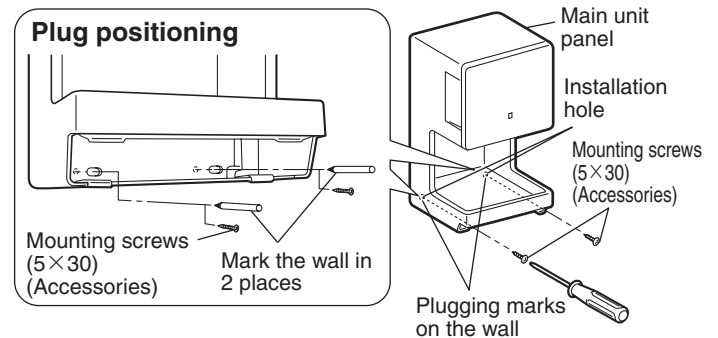
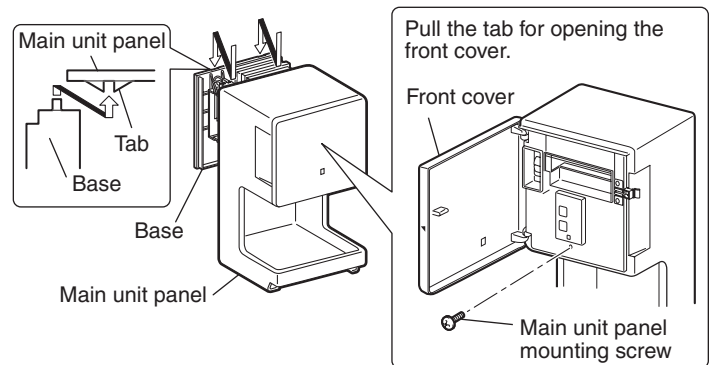
7

1. Insert the tabs (2 locations) of the main unit panel into the locks of the base hooks and fix it with screw (1).
 - The screw is inside the front cover.
2. Check that the 2 hooks on the main unit panel are hooked in the base.
3. Gently press the unit against the wall, and fix it in place using 2 accessory mounting screws (5×30).

- When installing on a concrete wall, use commercially available metal screw plugs with the procedures below before fixing the front cover onto the base.

- ① Temporarily place the main panel on the base.
- ② Mark the position of the hole in the wall through the mounting screw hole with a pen.
- ③ Remove the main unit panel and insert commercially available metal screw plugs into the marked locations of the wall.

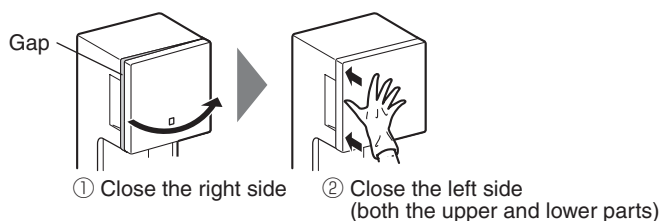
- Reinforce any walls made with materials other than concrete before installation.



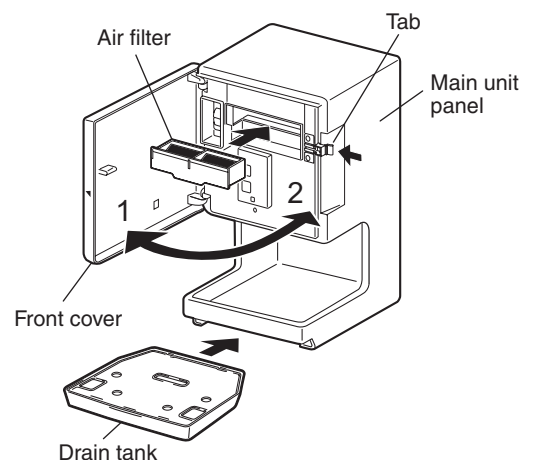
8

1. Open the front cover and attach the air filter.
2. Close the front cover and push the tab into latch the front cover shut.
3. Check that the front cover is securely closed.

- Caution**
- Check to see that the front cover is fitted securely. Press against the front cover so that it is firmly closed against the main panel.
 - ※ Refer to "How to open/close the front cover" (Page 11).



4. Attach the drain tank.



Test Run

	Step	What to check for	Check
1	Check the power supply voltage	Is the proper power being used? (JT-MC206GS-W type: Single-phase 220 – 240V AC) Incorrect power supply may cause malfunctions or low wind power.	
2	Turn the ground fault circuit interrupter on.		
3	Turn the power switch "ON". (page 4)	Are any lights in the display on?	
4	Insert your hands to check if air is being blow. (page 4)	Is the air blowing?	
5	Press the air speed switch while one hand is inside. (page 12)	Has the air speed changed?	
6	Turn the heater switch "ON". (page 12)	Is warm air blowing? (Even if the heater switch is "ON", the heater may not operate if it is used continually.) ※ As the heater is a simple heater, the air may not feel so warm if the room temperature is low (20°C or below).	
7		Is the unit mounted securely without any vibration or abnormal noises?	

- The air speed light and heater light turn off after about 10 seconds. When the air speed switch or heater switch are pressed again, the lights in the display section turn back on in the state where the settings have been made.

Caution

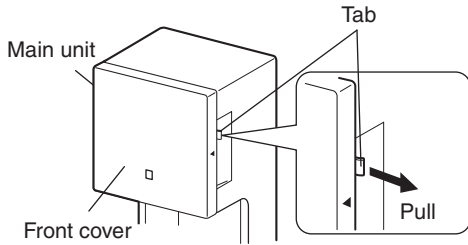
- If the power light flashes, turn the power switch "OFF", check that power light is off, and then wait for 1 minute before switching the power back "ON".

Initial setting checks

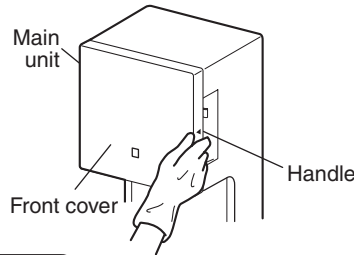
How to open/close the front cover

How to open the front cover

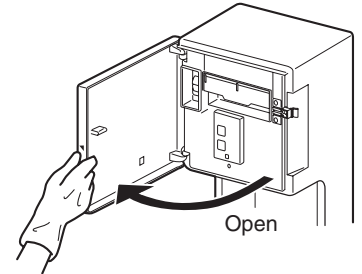
1 Pull the tab for opening the front cover.



2 Hold the handle are on the right hand side of the main unit.



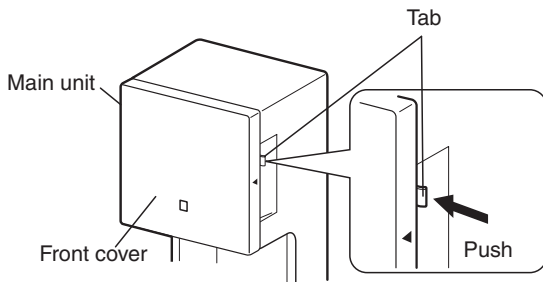
3 Open.



How to close the front cover

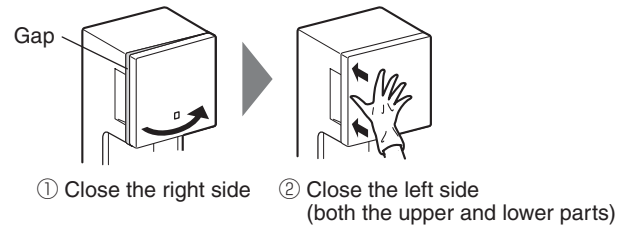
Close the front cover with the procedures for opening it in reverse.

Close the front cover so that there is no gap between the front cover and the main unit and push the tab in to latch the front cover shut.



Caution

- Check to see that the front cover is fitted securely. Press the front cover on the upper and lower parts against the main unit so that it is securely closed.

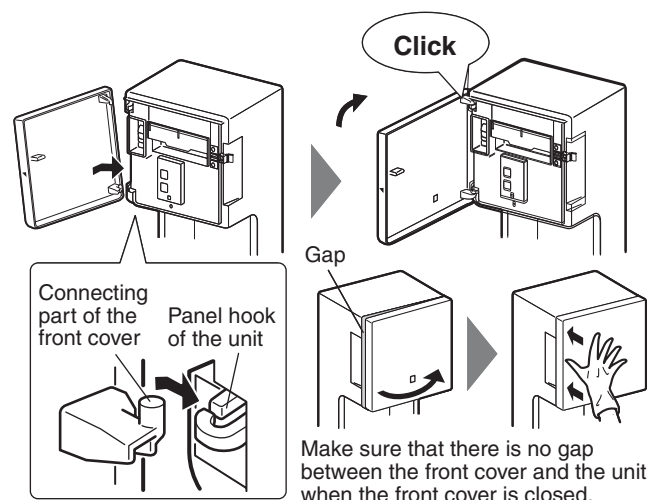


Precautions for when opening/closing the front cover

If the front cover comes off, please reattach it with the following procedures.

※ It is designed to come off in order to prevent damage if it is opened too far.

- 1** Press the bottom connecting part of the removed front cover into the bottom panel hook of the unit.
- 2** Press the top connecting part of the front cover into the top panel hook of the unit.
- 3** Check that the front cover is fitted securely.



Initial setting checks - Continuation

Turning the heater on

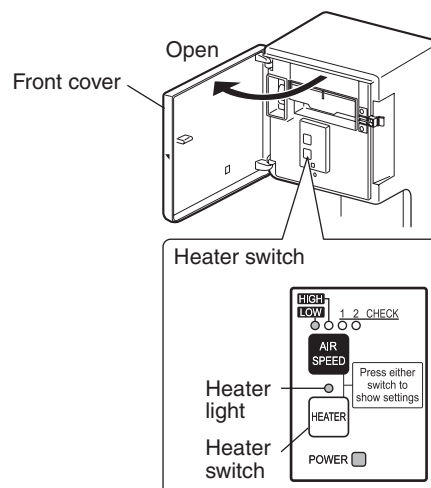
- 1 Open the front cover.
- 2 Press the air speed switch or the heater switch and let the settings light turn on.
- 3 Turn the heater switch "ON".

※ The heater may not operate during continued use as there is the danger of scalding when the temperature of the warm air rises.

The air may not feel warm when the room temperature is low (20°C or below).

Checking the settings

The heater light and air speed light turn off after about 10 seconds after their settings are made (to save energy). To check the settings, press either the heater or air speed switch.



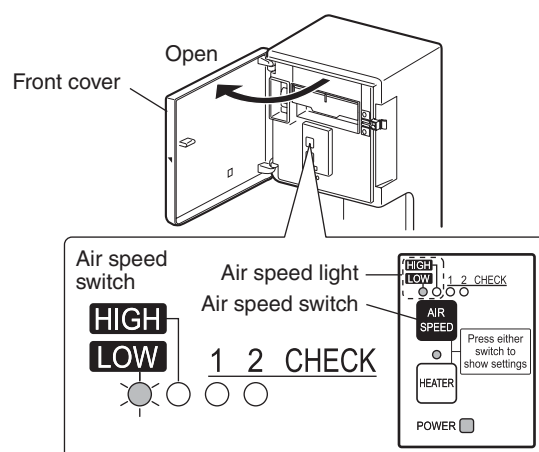
Adjusting the air speed

- 1 Open the front cover.
- 2 Press the air speed switch or the heater switch and let the settings light turn on.
- 3 Press the air speed switch.

- The modes change between "Low" and "High", and the air speed light turns on each time the air speed switch is pressed.
- Refer to "Settings and drying times guide".

Checking the settings

The heater light and air speed light turn off after about 10 seconds after their settings are made (to save energy). To check the settings, press either the heater or air speed switch.



Settings and drying times guide

Settings	Drying times guide [※]	Noise	Use
High	(approx.) 13 – 15 seconds	(approx.) 64dB	When drying quickly
Low	(approx.) 24 – 27 seconds	(approx.) 54dB	When keeping the noise level down during operation

※ Drying times are based on Mitsubishi measurements. (50mg of water per hand)

Information on Disposal



Note: This symbol mark is for EU countries only.

This symbol mark is according to the directive 2002/96/EC Article 10 Information for users and Annex IV, and/or to the directive 2006/66/EC Article 20 Information for end-users and Annex II.

English

Your MITSUBISHI ELECTRIC product is designed and manufactured with high quality materials and components which can be recycled and/or reused.

This symbol means that electrical and electronic equipment, batteries and accumulators, at their end-of-life, should be disposed of separately from your household waste.

If a chemical symbol is printed beneath the symbol shown above, this chemical symbol means that the battery or accumulator contains a heavy metal at a certain concentration. This will be indicated as follows:

Hg: mercury (0,0005%), Cd: cadmium (0,002%),
Pb: lead (0,004%)

In the European Union there are separate collection systems for used electrical and electronic products, batteries and accumulators.

Please, dispose of this equipment, batteries and accumulators correctly at your local community waste collection/recycling centre.

Please, help us to conserve the environment we live in!

Deutsch

Ihr MITSUBISHI ELECTRIC-Produkt wurde unter Einsatz von qualitativ hochwertigen Materialien und Komponenten konstruiert und gefertigt, die für Recycling und/oder Wiederverwendung geeignet sind.

Dieses Symbol bedeutet, dass elektrische und elektronische Geräte sowie Batterien und Akkus am Ende ihrer Nutzungsdauer von Hausmüll getrennt zu entsorgen sind.

Wenn ein chemisches Symbol unterhalb des oben abgebildeten Symbols erscheint, bedeutet dies, dass die Batterie bzw. der Akku ein Schwermetall in einer bestimmten Konzentration enthält. Dies wird wie folgt angegeben:

Hg: Quecksilber (0,0005 %), Cd: Cadmium (0,002 %),
Pb: Blei (0,004 %)

In der Europäischen Union gibt es unterschiedliche Sammelsysteme für gebrauchte Elektrik- und Elektronikgeräte einerseits sowie Batterien und Akkus andererseits.

Bitte entsorgen Sie dieses Gerät, Batterien und Akkus vorschriftsmäßig bei Ihrer kommunalen Sammelstelle oder im örtlichen Recycling-Zentrum.

Bitte helfen Sie uns, die Umwelt zu erhalten, in der wir leben!

Italiano

Questo prodotto MITSUBISHI ELECTRIC è stato progettato e fabbricato con materiali e componenti di alta qualità, che possono essere riciclati e/o riutilizzati.

Questo simbolo significa che i prodotti elettrici ed elettronici, le batterie e gli accumulatori, devono essere smaltiti separatamente dai rifiuti casalinghi alla fine della loro vita di servizio.

Se sotto il simbolo mostrato sopra è stampato un simbolo chimico, il simbolo chimico significa che la batteria o l'accumulatore contiene un metallo pesante con una certa concentrazione. Ciò viene indicato come segue:

Hg: mercurio (0,0005%), Cd: cadmio (0,002%),
Pb: piombo (0,004%)

Nell'Unione Europea ci sono sistemi di raccolta differenziata per i prodotti elettrici ed elettronici, le batterie e gli accumulatori usati.

Per disfarsi di questo prodotto, delle batterie e degli accumulatori, portarli al centro locale di raccolta/riciclaggio dei rifiuti.

Aiutateci a conservare l'ambiente in cui viviamo!

Français

Votre produit Mitsubishi Electric est conçu et fabriqué avec des matériels et des composants de qualité supérieure qui peuvent être recyclés et/ou réutilisés.

Ce symbole signifie que les équipements électriques et électroniques, les batteries et les accumulateurs, à la fin de leur durée de service, doivent être éliminés séparément des ordures ménagères.

Si un symbole chimique est imprimé sous le symbole illustré ci-dessus, il signifie que la batterie ou l'accumulateur contient une certaine concentration de métal lourd. Elle sera indiquée comme suit : Hg : mercure (0,0005%), Cd : cadmium (0,002%),
Pb : plomb (0,004%)

Dans l'Union Européenne, il existe des systèmes sélectifs de collecte pour les produits électriques et électroniques, les batteries et les accumulateurs usagés.

Nous vous prions donc de confier cet équipement, ces batteries et ces accumulateurs à votre centre local de collecte/recyclage.

Aidez-nous à conserver l'environnement dans lequel nous vivons !

Les machines ou appareils électriques et électroniques contiennent souvent des matières qui, si elles sont traitées ou éliminées de manière inappropriée, peuvent s'avérer potentiellement dangereuses pour la santé humaine et pour l'environnement.

Cependant, ces matières sont nécessaires au bon fonctionnement de votre appareil ou de votre machine.

Pour cette raison, il vous est demandé de ne pas vous débarrasser de votre appareil ou machine usagé avec vos ordures ménagères.

Español

Su producto MITSUBISHI ELECTRIC está diseñado y fabricado con materiales y componentes de alta calidad que pueden ser reciclados y/o reutilizados.

Este símbolo significa que el aparato eléctrico y electrónico, las pilas, baterías y los acumuladores, al final de su ciclo de vida, se deben tirar separadamente del resto de sus residuos domésticos.

Si hay un símbolo químico impreso debajo del símbolo mostrado arriba, este símbolo químico significa que la pila, batería o el acumulador contienen un metal pesado con cierta concentración. Esto se indicará de la forma siguiente:

Hg: mercurio (0,0005%), Cd: cadmio (0,002%),
Pb: plomo (0,004%)

En la Unión Europea existen sistemas de recogida específicos para productos eléctricos y electrónicos, pilas, baterías y acumuladores usados.

Por favor, deposite los aparatos mencionados, las pilas, baterías y acumuladores en el centro de recogida/reciclado de residuos de su lugar de residencia local cuando quiera tirarlos.

¡Ayúdenos a conservar el medio ambiente!

Português

O seu produto MITSUBISHI ELECTRIC foi concebido e produzido com materiais e componentes de alta qualidade que podem ser reciclados e/ou reutilizados.

Este símbolo significa que o equipamento eléctrico e electrónico, as baterias e os acumuladores, no final da sua vida útil, devem ser deitados fora separadamente do lixo doméstico.

Se houver um símbolo químico impresso por baixo do símbolo mostrado acima, o símbolo químico indica que a bateria ou acumulador contém metais pesados numa determinada concentração. Isto aparecerá indicado da maneira seguinte:

Hg: mercúrio (0,0005%), Cd: cádmio (0,002%),
Pb: chumbo (0,004%)

Na União Europeia existem sistemas de recolha separados para produtos eléctricos e electrónicos, baterias e acumuladores usados.

Por favor, entregue este equipamento, as baterias e os acumuladores correctamente, no seu ponto local de recolha/reciclagem.

Por favor, ajude-nos a conservar o ambiente em que vivemos!



Svenska

Denna produkt från MITSUBISHI ELECTRIC är designad och tillverkad av material och komponenter med hög kvalitet som kan återvinnas och/eller återanvändas.

Denna symbol betyder att förbrukade elektriska och elektroniska produkter, batterier och ackumulatörer skall sorteras och hanteras separat från hushållsavfall.

Om det finns en kemisk beteckning tryckt under ovanstående symbol betyder det att batteriet eller ackumulatören innehåller en tungmetall med en viss koncentration. Detta anges på följande sätt:

Hg: kvicksilver (0,0005%), Cd: kadmium (0,002%),
Pb: bly (0,004%)

Inom den Europeiska Unionen finns det separata insamlingsssystem för begagnade elektriska och elektroniska produkter, batterier och ackumulatörer.

Var vänlig lämna denna produkt, batterier och ackumulatörer hos din lokala mottagningsstation för avfall och återvinning.

Var snäll och hjälp oss att bevara miljön vi lever i!

Dansk

Dit produkt fra MITSUBISHI ELECTRIC er designet og fremstillet med kvalitetsmaterialer og komponenter, der kan genindvindes og/eller genbruges.

Dette symbol viser, at elektrisk eller elektronisk udstyr, batterier og akkumulatører ikke må bortskaffes sammen med almindeligt husholdningsaffald efter endt levetid.

Hvis der er trykt et kemisk symbol under symbolet ovenfor, betyder det, at batteriet eller akkumulatøren indeholder en bestemt koncentration af et tungmetal. Dette angives som følger:

Hg: kviksølv (0,0005 %), Cd: cadmium (0,002 %),
Pb: bly (0,004 %)

I EU er der særlige indsamlingsordninger for brugte elektriske og elektroniske produkter, batterier og akkumulatører.

Bortskaf udstyret, batterier og akkumulatører korrekt på en lokal affalds-/genbrugsplads.

Hjælp os med at bevare det miljø, vi lever i!

Norsk

For norske brukere:

Dette produktet fra MITSUBISHI ELECTRIC er konstruert og produsert med materialer og komponenter av høy kvalitet, som kan resirkuleres og/eller brukes om igjen.

Dette symbolet betyr at elektrisk og elektronisk utstyr, batterier og akkumulatører, ikke bør kasseres sammen med husholdningsavfallet når de har nådd slutten av sin levetid.

Hvis det er trykt et kjemisk symbol under det symbolet som er vist over, betyr det kjemiske symbolet at batteriet eller akkumulatøren inneholder et tungmetall i en viss konsentrasjon. Dette vil vises som følger:

Hg: kvikksølv (0,0005 %), Cd: kadmium (0,002 %),
Pb: bly (0,004 %)

I Norge finnes det egne innsamlingsystemer for brukte elektriske og elektroniske produkter, batterier og akkumulatører.

Kasser dette utstyret, batteriene og akkumulatorene ved den lokale gjenbruks- eller resirkuleringsstasjonen.

Hjelp oss å bevare det miljøet vi lever i!

Suomi

Tämä MITSUBISHI ELECTRIC -tuote on suunniteltu ja valmistettu korkealuokkaisista materiaaleista ja/tai osista, jotka voidaan kierrättää ja käyttää uudelleen.

Tämä symboli tarkoittaa, että sähkö- ja elektroniikkalaitteet, paristot ja akut täytyy niiden käyttöään jälkeen hävittää erillään talousjätteistä.

Jos yllä olevan symbolin alapuolelle on painettu kemiallinen symboli, se tarkoittaa, että paristolla tai akulla on tietty raskasmetallipitoisuus. Se ilmoitetaan seuraavasti:

Hg: elohopea (0,0005 %), Cd: kadmium (0,002 %),
Pb: lyijy (0,004 %)

Käytetyillä sähkö- ja elektroniikkalaitteilla, paristoilla ja akuilla on Euroopan Yhteisössä omat keräysjärjestelmänsä.

Toimita tämä laite, paristot ja akut paikalliseen jätehuolto-/kierrätyskeskukseen.

Autta meitä suojelemaan ympäristöä, jossa elämme!

Nederlands

Mitsubishi Electric producten zijn ontwikkeld en gefabriceerd uit eerste kwaliteit materialen. De onderdelen kunnen worden gerecycled en/of worden hergebruikt.

Het symbool betekent dat de elektrische en elektronische onderdelen, batterijen en accu's op het einde van de gebruiksduur gescheiden van het huishoudelijk afval moeten worden ingezameld. Wanneer er onder het bovenstaande symbool een chemisch symbool staat gedrukt, betekent dit dat de batterij of accu zware metalen in een bepaalde concentratie bevat. Dit wordt als volgt aangeduid:

Hg: kwik (0,0005%), Cd: cadmium (0,002%),
Pb: lood (0,004%)

In de Europese Unie worden elektrische en elektronische producten, batterijen en accu's afzonderlijk ingezameld.

Breng deze apparatuur, batterijen en accu's dan naar het gemeentelijke afvalinzamelingspunt.

Help ons mee het milieu te beschermen!

Ελληνικά

Το προϊόν MITSUBISHI ELECTRIC που διαθέτετε είναι σχεδιασμένο και κατασκευασμένο από υλικά και εξαρτήματα υψηλής ποιότητας, τα οποία μπορούν να ανακυκλωθούν ή/και να χρησιμοποιηθούν ξανά.

Το σύμβολο αυτό σημαίνει ότι ο ηλεκτρικός και ηλεκτρονικός εξοπλισμός, οι μπαταρίες και οι συσσωρευτές, στο τέλος της διάρκειας ζωής τους, θα πρέπει να απορριφτούν ξεχωριστά από τα υπόλοιπα οικιακά απορρίμματα σας.

Αν έχει εκτυπωθεί ένα χημικό σύμβολο κάτω από το σύμβολο που απεικονίζεται ανωτέρω, αυτό το χημικό σύμβολο σημαίνει ότι η μπαταρία ή ο συσσωρευτής περιέχει ένα βαρύ μέταλλο σε ορισμένη συγκέντρωση. Αυτό θα υποδεικνύεται ως ακολούθως:

Hg: υδράργυρος (0,0005%), Cd: κάδμιο (0,002%),
Pb: μόλυβδος (0,004%)

Στην Ευρωπαϊκή Ένωση υπάρχουν ξεχωριστά συστήματα συλλογής για τα χρησιμοποιημένα ηλεκτρικά και ηλεκτρονικά προϊόντα, τις μπαταρίες και τους συσσωρευτές.

Παρακαλούμε διαθέστε αυτόν τον εξοπλισμό, τις μπαταρίες και τους συσσωρευτές στο τοπικό σας κοινοτικό κέντρο συλλογής/ανακύκλωσης απορριμμάτων.

Βοηθήστε μας να προστατεύσουμε το περιβάλλον στο οποίο ζούμε!

Technical Document of Fan Efficiency

Model Name	JT-MC206GS
Overall Efficiency	52.1%
Measurement Category	C
Efficiency Category	Static
Efficiency Grade	61
VSD	A variable speed drive is integrated within the fan
Year of Manufacture	2012
Manufacturer	Mitsubishi Electric Corporation registration number: HEAD OFFICE: TOKYO BLDG., 2-7-3, MARUNOUCHI, CHIYODA-KU, TOKYO 100-8310, JAPAN AUTHORIZED REPRESENTATIVE IN EU: MITSUBISHI ELECTRIC EUROPE B.V.HARMAN HOUSE, 1GEORGE STREET, UXBRIDGE, MIDDLES
Motor Power Input (kW)	0.4
Flow Rate (m ³ /s)	0.02
Pressure (Pa)	9910
Rotations per Minute	23800
Specific Ratio	1.0
Information relevant for facilitating disassembly, recycling or disposal at end-of-life	Your product should be disposed of separately from household waste in line with local laws and regulations. When this product reaches its end of life, dispose of it at your local waste collection point/recycling centre. The separate collection and recycling of your product at the time of disposal will help conserve natural resources and ensure that it is recycled in a manner that protects human health and the environment. For more information for WEEE recyclers please contact us at http://www.mitsubishielectric.eu/contact_us_form
Information relevant to minimise impact on the environment and ensure optimal life expectancy as regards installation, use and <u>maintenance of the fan</u>	Remove dust on air filter around once a week. Empty the drain water at least once a week before the drain water exceeds the full line.
Description of additional items used when determining the fan energy efficiency	The optimistic fan efficiency is measured in the composition of fan, motor and fan casing only.